

# COMMERCIAL POOL PRODUCTS



# Features & Benefits Of Waterco Designed Filters

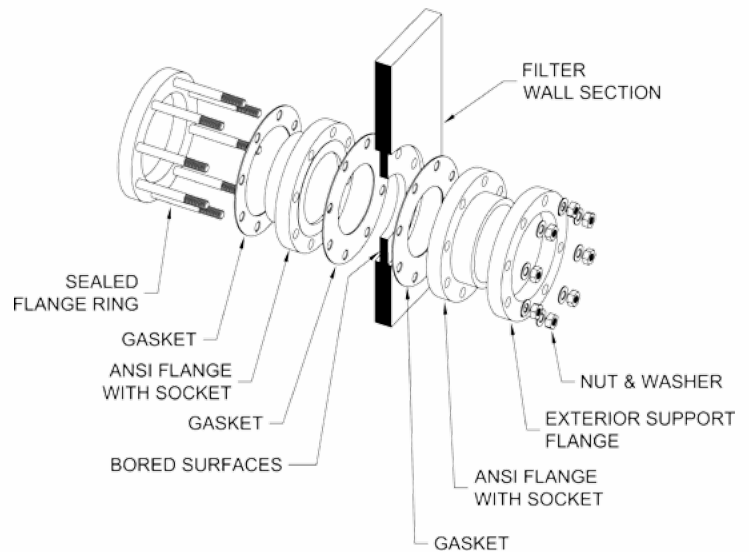
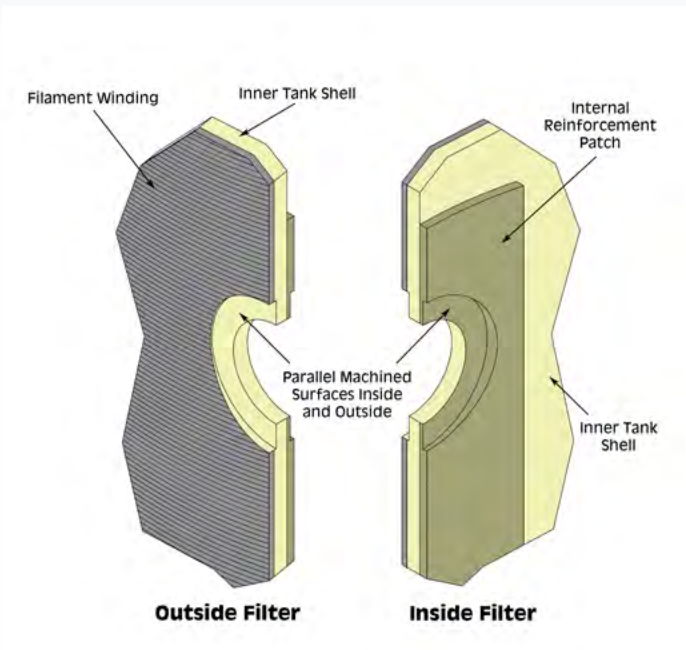
## CNC Controlled Filament Winding Process



### Waterco Fiberglass Filters

Waterco fiberglass filters embody the latest in fiberglass winding technology. Waterco's digitally controlled filament winding machines faultlessly wind continuous strands of high quality fiberglass filament under controlled tension to create a seamless one-piece vessel with refined consistency and superior quality. There are no welds or seams or special tank linings which can corrode or electrolyse.

Waterco's quality control procedures ensure that the structural requisites of the product are achieved at every stage of production. This results in a 100% compliance of the end product within the specifications.



### Special Boring Process

Waterco employs a unique boring process for making tank penetrations. Due to the inherent flexibility of fiberglass traditional gasketed fittings leak over time. Our unique tooling and manufacturing process creates perfectly parallel surfaces both inside and outside of the filter wall so that our ports can seal against flat surfaces rather than curved surfaces, thereby eliminating traditional alignment issues and leaks due to poor sealing.

### Sealed Flange Ring Assembly

The design of our sealed flange ring assembly on our larger commercial filters shows the benefit of the parallel surfaces created during our boring process. Standard ANSI flanges are used to seal flat against the filter wall.

# Ultra-Vac Portable Filter System



Ultra-Vac is an easy to use portable vacuum system for commercial, industrial and residential filtering requirements.

Mounted on a rugged powder coated steel cart, the Ultra-Vac is equipped with a 3/4 HP self-priming pump and strainer, capable of delivering flow rates up to 80 GPM. The Ultra-Vac has a safety on/off switch mounted on the cart for easy access and a 50 foot power cord.

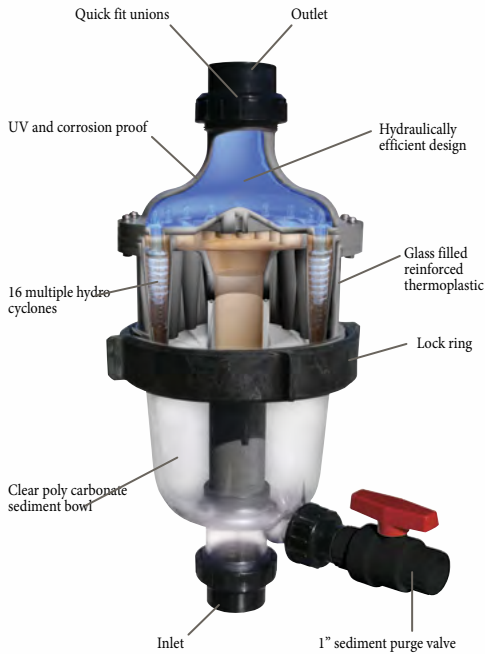
- Easy access to filtering element.
- Pressure gauge and air relief standard.
- Durable self-priming pump and leaf pot.
- On/Off safety switch with GFCI power cord.
- Included valve retains water volume in filter.
- Large cart wheels for easy mobility.
- 30 micron cartridge Standard.
- 3-Way valve to allow discharge directly to drain
- Factory assembled and shipped complete

Model	Model Description	Media Capacity	Overall Height	Flow Rate	Shipping Weight
16V1167	Ultra-Vac Portable Cartridge Filter 3/4 HP	100 Sq. Ft.	57	80	86 Lbs

# MULTI CYCLONE

A revolutionary design to greatly reduce filter backwashing and maintenance by capturing particulate before it reaches your filter.

The MultiCyclone works on the basis of centrifugal water filtration. There are no moving parts to wear and tear, and no filter media to clean or replace.



- Centrifugal water filtration
- Easily installed on any existing filtration system
- No filter media to clean or replace
- No moving parts
- 100 PSI Version Available
- Saves water
- 2 year warranty

# MULTI CYCLONE PLUS

## Dual Stage Filtration

Incoming water tangentially enters its multiple hydro cyclones, generating a strong centrifugal effect. Approximately 80% of the incoming dirt load is spiralled down to its clear sediment chamber. The outgoing water is finally polished via its built in cartridge filter, producing crystal clear water.

The MultiCyclone Plus is available with a 40 Square Foot Cartridge. The New MultiCyclone Ultra utilises a 75 Square Foot Cartridge for more cleaning capacity.



## Waterco HRV Filters



Waterco HRV fiberglass filters embody the latest in fiberglass winding technology. The HRV Series filters are constructed from anticorrosive, nontoxic materials and are engineered to withstand the high flow and pressures of today's pool and industrial systems. With the reinforced neck ring and solid lid closure this filter is the best fit for today's most demanding projects.

- 8 lateral under-drain for optimal back-washing and filtering performance.
- 2" connections on all models
- Maximum operating pressure: 50 psi
- 10 Year Tank Warranty and 1 year warranty on all other components.
- Valve not included with tank, use part number 2290590P



Model	Model Description	Media Capacity	Area Sq. Ft.	Flow Rate
22207308	Waterco HRV 30" Filter (2" Connections)	500	4.91	74-98
22207368	Waterco HRV 36" Filter (2" Connections)	800	7.07	106-141

Micron fiberglass filters embody the latest in fiberglass winding technology. Waterco's digitally-controlled filament winding machine faultlessly winds continuous strands of fiberglass filament to create a filter vessel with refined consistency and superior quality.

- Side mount vertical and horizontal configurations
- Filter area of up to 107sq.ft
- Working pressure of up to 102psi



### Micron SM-Series Commercial Short Bed Depth Side Mount Filters



Model	Filter Model	Conn. Size	Bed Depth	Inner Diameter	Filter Area	Flow Rate 15gpm/ft <sup>2</sup>	Flow Rate 20gpm/ft <sup>2</sup>
		In	Inches	Inches	feet <sup>2</sup>	gpm	gpm
220042341	SM1050 Micron 42" Commercial Filter	3"	18.5	41.4	9.3	140	186
220048241	SM1200 Micron 47" Commercial Filter	3"	22.8	47.3	12.2	183	243

### Micron SMD-Series Commercial Standard Bed Depth Side Mount Filters

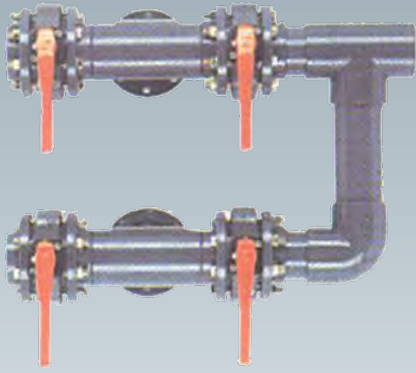


Model	Filter Model	Conn. Size	Bed Depth	Inner Diameter	Filter Area	Flow Rate 15gpm/ft <sup>2</sup>	Flow Rate 20gpm/ft <sup>2</sup>
		In	Inches	Inches	feet <sup>2</sup>	gpm	gpm
22501054801	SMD1050 Micron 42" Commercial Filter	3"	39.4	41.4	9.3	140	186
22501204101	SMD1200 Micron 47" Commercial Filter	4"	39.4	47.3	12.2	183	243
22501404101	SMD1400 Micron 55" Commercial Filter	4"	39.4	55.1	16.6	249	331
22501604101	SMD1600 Micron 63" Commercial Filter	4"	39.4	63	21.6	325	433
22501604151	SMD1600 Micron 63" Commercial Filter	6"	39.4	63	21.6	325	433

## Filter Options

- Many filter options are available. Tanks can be configured with optional Nozzle Plate underdrain systems. Side manways can be added to facilitate maintenance and inspection. Optional pressure ratings from 35 PSI to 118 PSI are available. Special colors and surface finishes can also be applied to filters for custom applications. Many other options and configurations are available. Contact your local Waterco Representative for information.





## Standard Butterfly Valve Manifolds

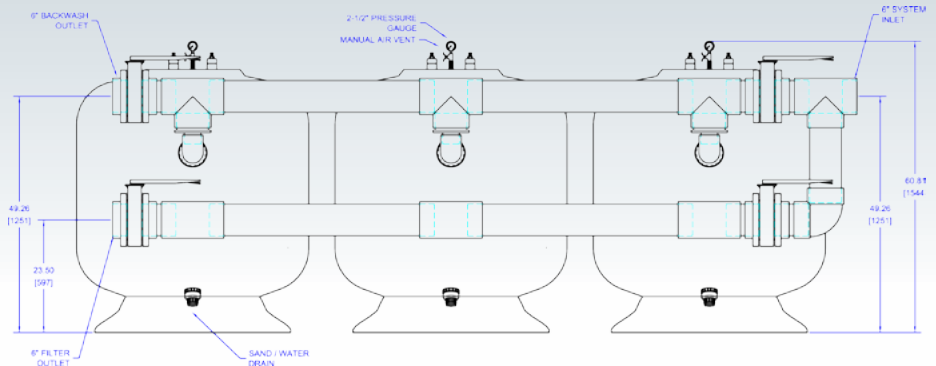
Waterco offers a selection of 4 valve and 5 valve manifolds for individual tanks in addition to the manifolds for dual systems. Manifolds will be manufactured using schedule 80 PVC. The use of 5 valves allows for a rinse cycle after the backwash mode. All manifolds can be designed using multiport valves (when size allows) which allow for individual back-washing of each filter and can also be either manual or automatic.

- PVC Butterfly Valves with Optional Composites for special applications
- Automation Available
- Easy Operation for all applications
- Rated for 100 P.S.I.
- Full one year manufacturing warranty.

## Custom Manifolds for Multiple Filters and Special Applications

Custom manifolds can be designed with either multi-port valves or butterfly valves to adapt piping to just about any filter configuration. Options include:

- Composite or PVC Butterfly Valves
- Automation Available
- Clean Water Backwash
- Rinse Modes
- Controls Package



## Commercial Multi-Port Valves

Waterco leads the industry with the development of its new large multiport valves. Available in 2" thru 4", these valves are molded with a one piece ABS resin body that is extremely durable and has a 58 PSI rating. All sizes are furnished with unions for easy plumbing, air release valves and backwash sight glasses. These valves are designed to be used on large individual filters or can be set up for large multi-filter systems that will allow independent backwashing for each filter.



## Hydro-Mation Valves

Waterco's HydroMation Valves provide automation for the filter, rinse and backwash cycles. Available with pressure and time clock actuation, the HydroMation eliminates the labor and concerns of timely cleaning cycles.

The HydroMation can be easily installed on existing systems or for new applications and is available for both top mount and side mount filters.



## The Baker Hydro Skimmer

The Hydro-Skimmer by Baker Hydro is designed to provide the most efficient skimming action in the industry. On conventional skimmers, water from the main drain does not go through the skimmer basket. The Hydro-Skimmer is designed to pass all water through the basket making it easy to remove leaves and debris before going to the pump. New molding technology has allowed Waterco to take this industry leading skimmer to new heights by us to mold the skimmer body in one piece. This single piece design creates a stronger skimmer body for more durability.

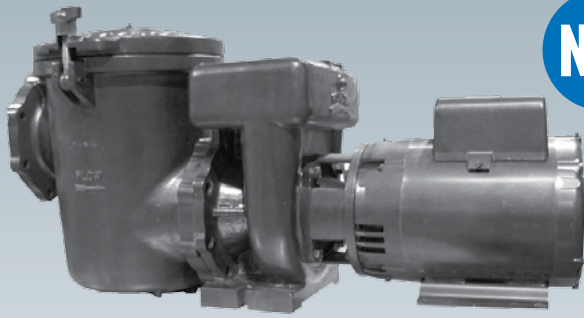


## Waterco SupaSkimmer

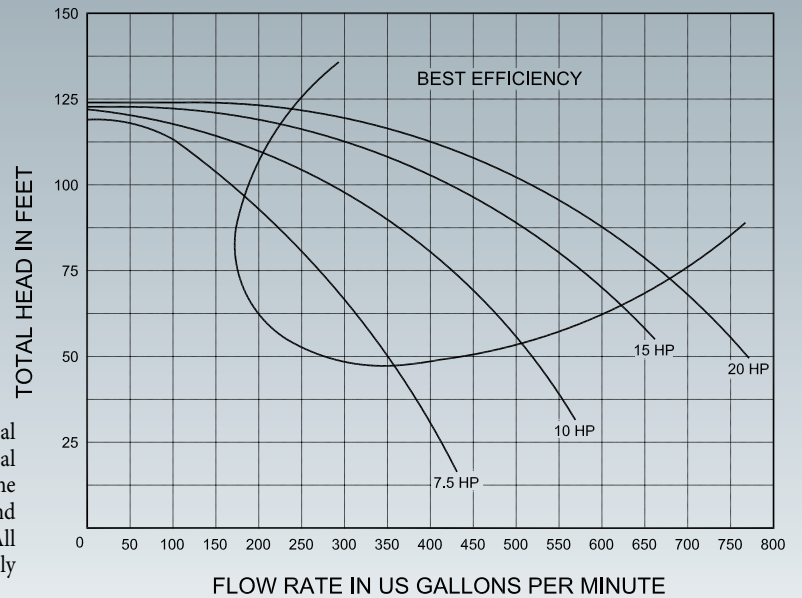
The new Supa "One Piece" skimmer series all feature lock-down baskets and vacuum plates as standard equipment. The Supa skimmer is available for gunite (standard) and fiberglass/vinyl (prefab) pools. Constructed with a one piece ABS body, the Supa skimmers improved design greatly reduces the stress place on the skimmer from ground settlement. The Supa skimmer is becoming the preferred choice of many premium inground pool builders.



## Hydro 5000 Self Priming Cast Iron Pump



The Waterco Hydro 5000 Series is a high performance, self-priming commercial pump. Especially designed for aquatic facilities, water parks and large commercial swimming pools, the Hydro 5000 series pump is offered in four ratings. The pump has an enclosed bronze impeller which allows for quiet operation and excellent flow. All pumps have standard 6" x 4" A.N.S.I. flange connections. All models are epoxy coated inside and out. Strainers must be ordered separately from pump.



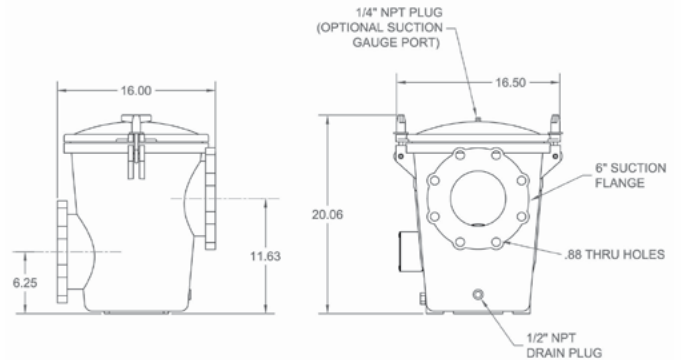
Model	Model Description	Connection	Volts	Full Load Amps	Shipping Weight
19B05000	Hydro 5000 Pump 7-1/2 HP	6" x 4"	208-230 /460	21.7-19.6 / 9.8	265
19B05001	Hydro 5000 Pump 10 HP	6" x 4"	208-230 /460	27.65-25 / 12.5	270
19B05002	Hydro 5000 Pump 15 HP	6" x 4"	208-230 /460	44.2-40 / 20	280
19B05003	Hydro 5000 Pump 20 HP	6" x 4"	208-230 /460	55.3-50 / 25	325
19B05004	Hydro 5000 Pump 7-1/2 HP (Single Phase)	6" x 4"	230	39	270

Custom Voltages available, Please call for pricing and lead time

## Cast Iron Strainer for Hydro 5000 Pump



Baker Hydro introduces their new pump strainer for the series 5000 self-priming commercial pump. The strainer is designed to fit all four models of the 5000 pump series and has 6" A.N.S.I. flange connections. Strainers can also be used in line up to 50 PSI. The commercial strainer is equipped with two quick release toggle bolts for ease of maintenance and a stainless steel basket with a capacity of 440 cubic inches.



Model	Model Description	Connection	Basket Volume	Perforation Size
19B05008	Cast Iron Strainer with Epoxy Coating	6" x 6"	440 cu.in.	3/16

## Poly Strainer for Hydro 5000 Pump

In 2006 Waterco introduced the Hydro 5000 Cast Iron Pump as an update to an industry standard design. Today we are improving that design once again with the introduction of an improved strainer made from glass filled polypropylene. The strainer housing is capable of holding pressures up to 50 PSI and has a clear lid for easy viewing of basket status. Strainer housings can also be used as in line strainers on systems up to 50 PSI.

Model	Model Description	Connection	Strainer Volume	Perforation Size
19B05008-PP	Poly Strainer for Cast Iron Pump	6" x 6"	480 cu.in.	3/16"

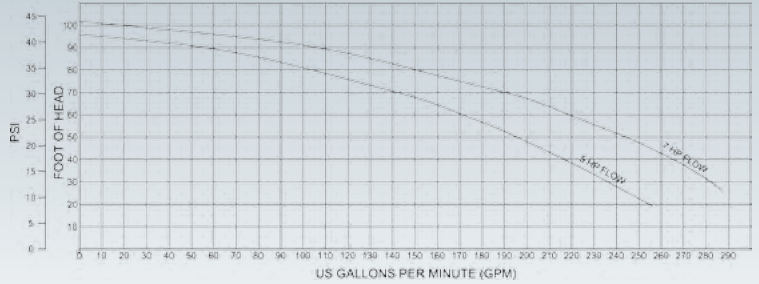
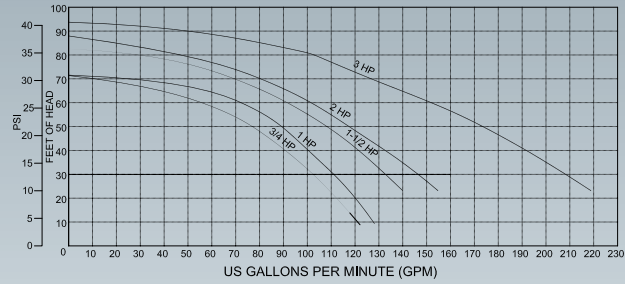
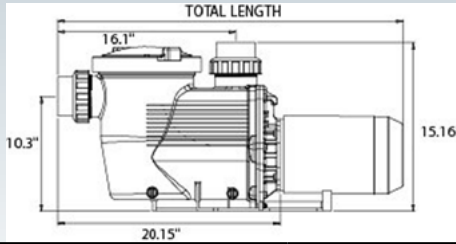


# HydroStar Self Priming Semi-Commercial Pump



The Hydrostar has been designed to offer an efficient and powerful pumping action. Incorporating a streamlined lint strainer and body, the Hydrostar ensures maximum strength and smooth flow.

- Large Strainer Basket
- Quiet & Efficient
- 3" Union Connections
- Lock Ring Closure
- Self Priming



Model	Model Description	Connection	Volts	Full Load Amps	Shipping Weight	Overall Length
2404075A	HydroStar 3/4 HP Pump	2" / 2 1/2"	115/230	12.0 / 6.0	43	27.6
2404100A	HydroStar 1 HP Pump	2" / 2 1/2"	115/230	14.0 / 7.0	47	29.5
2404150A	HydroStar 1-1/2 HP Pump	2" / 2 1/2"	115/230	21.6 / 10.8	49	31.5
2404200A	HydroStar 2 HP Pump	2" / 2 1/2"	230	11.5	55	34.5
2404200A	HydroStar 3 HP Pump	3"	208-230	21.0 - 19.4	67	36.5

Model	Model Description	Connection	Volts	Full Load Amps	Shipping Weight	Overall Length
24045003A	HydroStar Plus 5 HP Pump	3"	230 / 460	-	145	45
24047003A	HydroStar Plus 7 HP Pump	3"	230 / 460	-	185	45

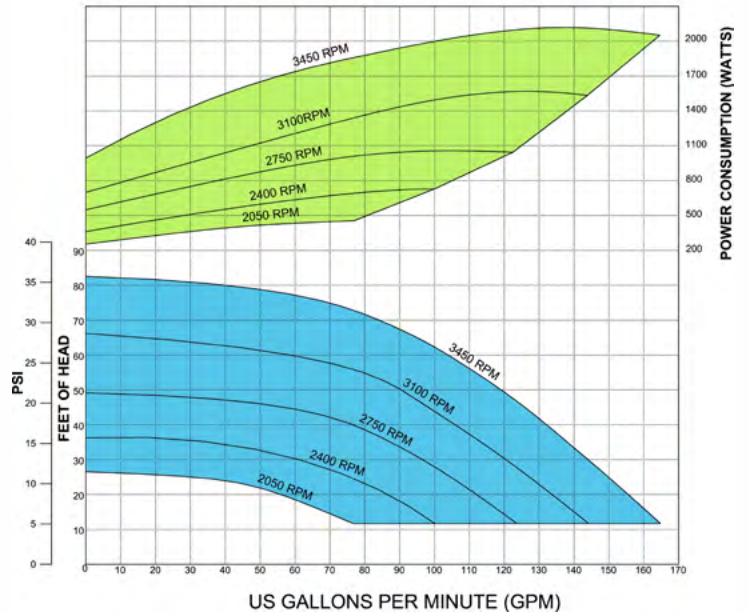
\* Add a -3 to the end of any part number in this series to note three phase motors.

# HydroSelect Variable Speed Semi-Commercial Pump



The Variable Speed HydroSelect is designed to provide high flows and pressures to large residential and small commercial applications while also providing significant energy savings and value when operating at lower consumption points.

- Quiet & Efficient Operation
- Self Priming
- 2" Union Connections
- Large Strainer Basket
- Lock Ring Closure



Model	Model Description	Connection	Volts	Full Load Amps	Shipping Weight	Overall Length
2405200AVS	HydroSelect Variable Speed Pump	2"	208-230	See Chart	51	34"



**OFFICES - USA & CANADA**

Waterco (USA) Inc  
Augusta, Georgia, USA  
Tel: +1 706 793 7291

Waterco (Canada) Inc  
St Hyacinthe, Quebec, Canada  
Tel: +1 450 796 1421

**OFFICES - OVERSEAS**

NSW - Sydney (Head Office)  
Tel: +61 2 9898 8600

Waterco (Europe) Limited  
Sittingbourne, Kent, UK  
Tel: +44 (0) 1795 521 733

Waterco (NZ) Limited  
Auckland, New Zealand  
Tel: +64 9 525 7570

Waterco (C) Limited  
Guangzhou, China  
Tel: +86 20 3222 2180

Waterco (Far East) Sdn Bhd  
Selangor, Malaysia  
Tel: +60 3 6145 6000

PT Waterco Indonesia  
Jakarta, Indonesia  
Tel: +62 21 4585 1481

**DISTRIBUTED BY:**

**WATERCO**  
Water. the liquid of life

