

# **CLEAR** **WATER**™ **DE**



## **DELUXE SYSTEM OWNER'S MANUAL**

## CLEARWATER II D.E. FILTER SYSTEM OWNER'S MANUAL

Our ClearWater II D.E. Filter System is shipped from Waterway complete with everything you need right in the box. Assemble filter system only after above-ground pool is installed. Fill pool with water. Do not raise water level above pool return line.

The pool equipment should be located between pool skimmer and return line. The filtration system should not be closer than 2 ft. and not further than 5 ft. from the pool. The ClearWater II D.E. Filter System needs to be on a completely flat surface (e.g. patio block, cement slab, etc.). The pump will require a 110 volt/20 amp service.



**WARNING: A GFCI is required. Follow national and local building and safety codes.**

Before opening shipping carton, make sure box is in the upright position. Inside the carton, you will find:

1. One base
2. One pump (packaged in separate box)
3. One filter
4. Two lengths of 6 ft. hose
5. One bag with fittings

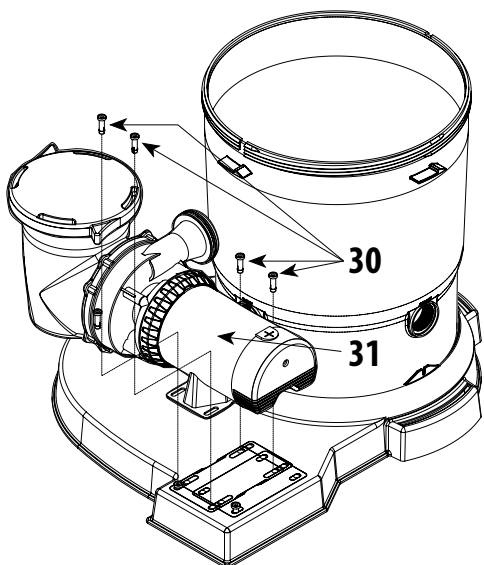
## INSTALLATION INSTRUCTIONS



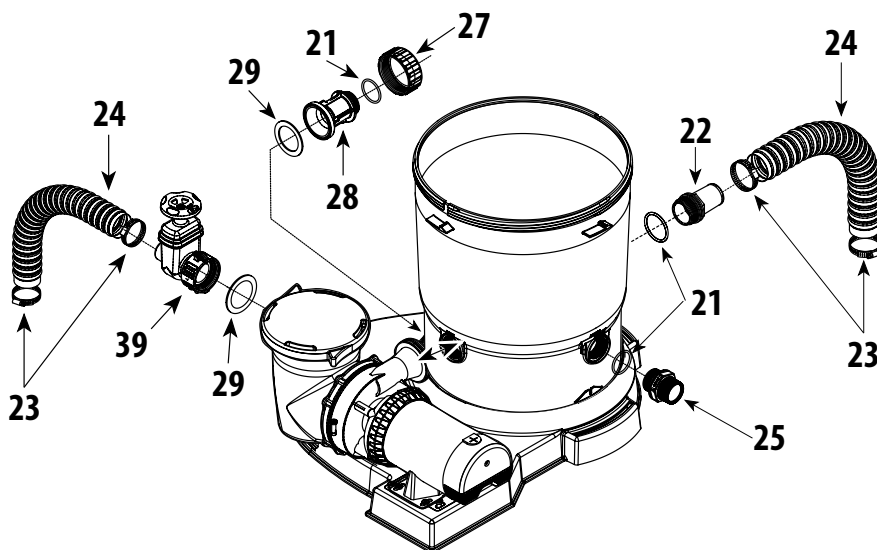
**WARNING! READ ALL INSTRUCTIONS AND WARNING LABELS BEFORE OPERATING FILTER!**

1. Place filter and base on a level, secure surface. Open fittings bag and remove coupling assembly (Detail 2). Assemble 2" gasket, coupling, coupling o-ring, and 2" union nut, and thread into inlet side of filter.
2. Open pump trap lid and remove 2" gasket. Place 2" gasket into union nut. Hand tighten union nut to suction side of pump (Detail 2).
3. Place the pump on the base to the left of the filter. The pump should align with coupling on filter side marked "Inlet". There is no need to disassemble filter or pump assemblies.
4. Thread 2" union nut to pump discharge (Detail 2). Thread gate valve with gasket to pump trap suction side (Detail 2).
5. Secure pump to base using the pin and anchor assemblies (Detail 1).
6. From the fittings package, remove 1 1/2" hose adapter and o-ring (Detail 2). Thread into outlet side of the filter tank.
7. Remove 4 hose clamps from the fittings bag. Select one of the hose lengths and slip one clamp over the end of the hose adapter. Place the end of the hose on to the gate valve (pump suction) and the other end to the hose adapter end of the pool skimmer. Repeat steps with filter outlet to pool return.
8. Remove the lid handle, #1, from the fittings bag and attach it to the top of the lid assembly, #12, as shown (Detail 3). Secure ClearWater Filter to ClearWater Filter Base using #26a Phillips-head screws (2), (Detail 4 & 5). Fill pool until water level is halfway up length of skimmer throat.
9. Open air release knob. Plug in and turn on pump. Air will pass out of the filter through the air release knob. Once water discharges from knob, close it.

**NOTE:** To remove lid assembly, take off filter nut, #3, insert filter wrench, #20a, in notch between filter body, #20 and lid assembly, #12, twist and separate as shown in Detail 5.



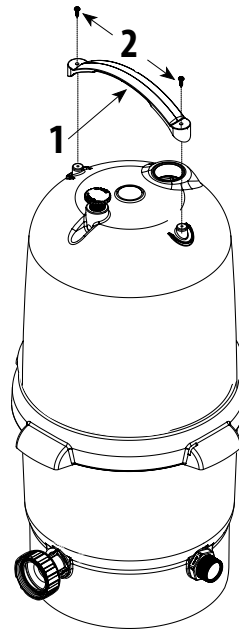
**DETAIL 1**



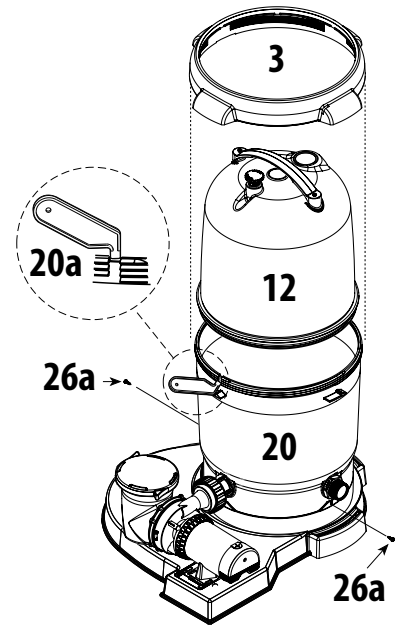
**DETAIL 2**

# CLEARWATER II D.E FILTER SYSTEM REPLACEMENT PARTS

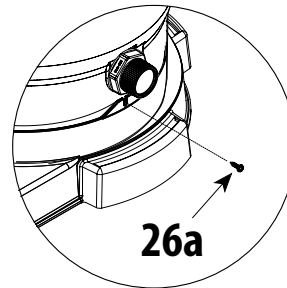
Item	Part No.	Description
1	519-7601	Lid Handle
2	819-9002	#12 x 3/4" S/S Phillips Head Screw
3	718-7251	Filter Locknut Assembly
4	602-0200	Air Relief Plug
5	805-0207	O-Ring - Air Relief
6	830-4000SS	Pressure Gauge
7	519-7451	Handle Assembly (2)
8	805-0224	O-Ring - Air Relief
9	519-7430	Gauge - Fitting Adapter
10	805-0117SD	O-Ring - Adapter
11	805-0460	Lid O-Ring
12	519-7411	Lid Assembly (small)
	519-7401	Lid Assembly (large)
13	519-7441	Wing-Nut
14	500-7310	Screen/Sock Assembly
15	718-7210	Tie Nut - D.E.
16	419-7241	Plug - 2" x 1 1/2" MPT
17	519-7269	Locator - Top Grids - D.E.
18	550-7210	Grids - 12 sq. ft. D.E. (7)
	550-7220	Grids - 18 sq. ft. D.E. (7)
19	550-7100	Base Assembly - 12 sq. ft.
	550-7120	Base Assembly - 18 sq. ft.
20	515-7251	Filter Body - Bottom
20a	519-7470	Filter Wrench (see Detail 5)
21	805-0224	O-Ring (3)
22	417-6241	1 1/2" MPT x 1 1/2" Male Smooth Hose Adapter
23	872-0010	Hose Clamp - Stainless Steel
24	872-9002	Corrugated Hose - Black
25	500-5300	Drain Assembly
26	672-7401	ClearWater II Base
26a	819-0044	#10 x 1" S/S Phillips Head Screw (2)
27	415-5001	2" Union Nut
28	419-7241	Coupling
29	711-4010	2" Union Gasket (2)
30	429-7221	Snap Pin (4)
31	PSP1100	1 HP - 1-Speed - Supreme Pump
	PSP1150	1 1/2 HP - 1-Speed - Supreme Pump
	PSP1200	2 HP - 1-Speed - Supreme Pump
	PSP2100	1 HP - 2-Speed - Supreme Pump
	PSP2150	1 1/2 HP - 2-Speed - Supreme Pump
	PSP2200	2 HP - 2-Speed - Supreme Pump
32	311-1520	Faceplate - Supreme Pump
33	805-0330	O-Ring
34	319-1510	Supreme Pump Trap Body
35	319-1540	C-Clip - Supreme Pump
36	319-1530	Supreme Trap Basket
37	805-0439	O-Ring
38	511-1310	Trap Lid
39	WV001H	Gate Valve



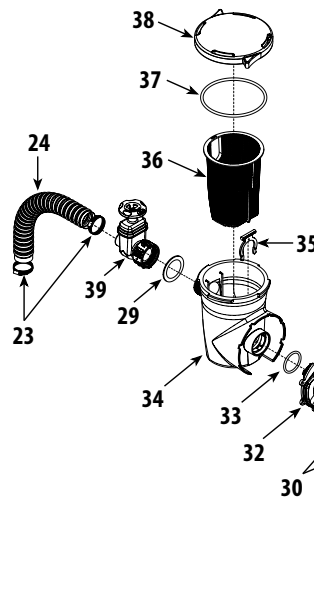
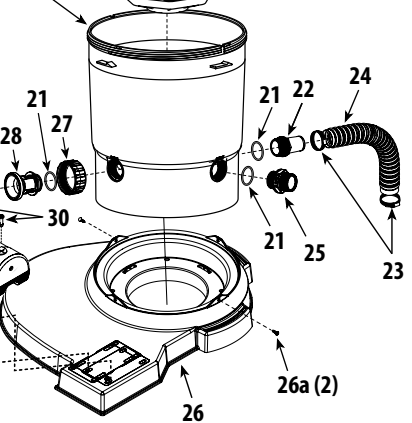
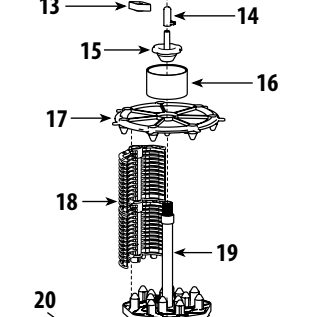
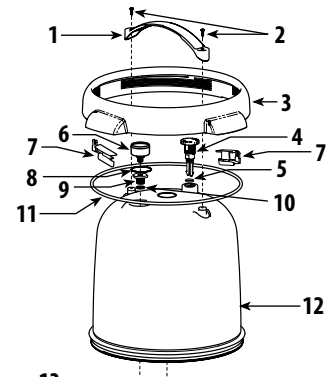
DETAIL 3



DETAIL 4



DETAIL 5



## CLEANING INSTRUCTIONS

If the pressure gauge on your filter reads 5 PSI or higher than the original starting pressure, the filter needs to be cleaned. The ClearWater II D.E. Filter System features the exclusive 1-2-3 Safety Locking System to ensure safe and simple filter maintenance.

1. Turn off pump. **WARNING: Never attempt to clean filter while pump is running. This is a pressurized vessel. It could cause severe injury or harm to your person.** Plug skimmer and pool return lines or drain pool water level to below pool return line.
2. Slowly open the air release knob on top of filter until the pressure gauge reads "0". Open drain cap at bottom of filter and allow water to flow.

3. Press the yellow safety latch on the underside of the locking nut and turn the nut counterclockwise to remove the lid. Rinse the D.E. grids with a garden hose. There is no need to remove the element from the filter.
4. Reassemble lid and follow start-up procedures from original instructions.

**My Original Starting Pressure is \_\_\_\_\_ PSI (Pounds per Square Inch). I should clean the filter at \_\_\_\_\_ PSI.**

## WARRANTY

**For product registration visit: [www.waterwayplastics.com](http://www.waterwayplastics.com).  
For Warranty questions or claims please contact point of purchase.**



2200 East Sturgis Road, Oxnard CA 93030 • Phone 805.981.0262 • Fax 805.981.9403  
[www.waterwayplastics.com](http://www.waterwayplastics.com) • [waterway@waterwayplastics.com](mailto:waterway@waterwayplastics.com)