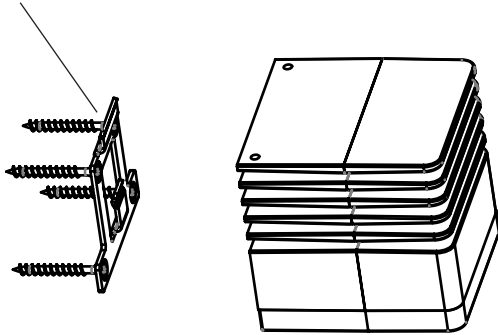


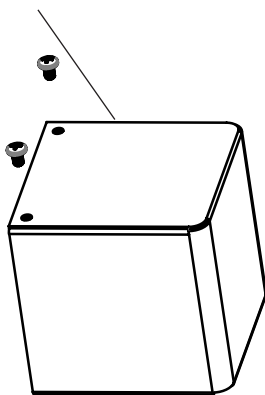
We have developed this series of field installation guidelines to assist you in correctly installing fixtures and transformers, ensuring customer satisfaction and trouble-free service. If you have any questions, please contact your local distributor or the FX TechLine at 800-733-2823 before proceeding. Follow all NEC guidelines and local electrical codes. For more information, visit: fxl.com

## TYPICAL INSTALLATION:

### WALL MOUNTED BRACKET (install first)



### OPTIONAL COPPER COVER (with screws)



## INSTALLATION GUIDELINES:

### DO NOT EXCEED 15 VOLTS IN THIS FIXTURE

The LEDs in this product function ideally when the incoming voltage is between 10–15 volts. Voltages outside of this range may damage the LEDs, shorten their life, and cause unsatisfactory performance. **The use of improper voltage voids the product warranty. Use only a UL 1838 approved power supply.**

Begin by installing the supplied bracket on the intended mounting surface, ensuring the use of correct anchoring devices for the material type. The fixture can now be attached onto the wall-mounted bracket by sliding the fixture from the top and pressing downward until it clicks into place.

Run lead wire through the material inside the mounting bracket or through the side of the fixture around the mating mounting bracket.

### Changing or removing the color filter:

To remove, add, or change a color filter, loosen set screw and pull down on lens cap. Once the lens cap is removed, twist the frosted lens holder ¼ turn counterclockwise to release the bayonet lock and lift the lens(es) off. Color lenses can be added on top of the additional lenses by repeating the process. Once changed, simply reattach the lens holder by lining up the bayonet mount and twisting clockwise ¼ turn while gently pressing down. Reinstall the lens cap by firmly pressing it past the double O-rings and flush with main fixture.

The LED board in this product is designed to offer years of use without replacement. Should you have a need to replace the LED board, please contact your local FX distributor.

**The NL fixture is designed to be used as a down light only. Using the NL as an up light may cause failure.**

**RISK OF FIRE WARNING: DO NOT USE FX FIXTURES WITH ANY STYLE OF TRANSFORMER THAT EXCEEDS 15 VOLTS ON THE SECONDARY.**

## SAVE THESE INSTRUCTIONS:

## CONSERVEZ SOIGNEUSEMENT CES INSTRUCTIONS:

### WARNING – To reduce the risk of FIRE OR INJURY TO PERSON:

- Turn off/unplug and allow to cool before replacing lamp.
- Lamp gets HOT quickly. Contact only switch/plug when turning on.
- Do not touch hot lens, guard, or enclosure.
- Keep lamp away from materials that may burn.
- Do not touch the lamp at any time. Use a soft cloth.
- Oil from skin may damage lamp.
- Do not operate the luminaire fitting with a missing or damaged shield.

### WARNING – Risk of Electric Shock

- Install all luminaires 10 feet (3.05 m) or more from a pool, spa, or fountain.
- A luminaire shall not use tungsten halogen lamps unless the luminaire is marked for such lamps.
- Supply connection and electrical components are located above ground level, except for secondary cord that is suitable for wet locations.

### LOW VOLTAGE CABLE SHALL:

1. Be protected by routing in close proximity to the luminaire or fitting, or next to a building structure such as a house or deck.
2. Not be buried except for a maximum 6 inches (15.2 cm) in order to connect to the main low voltage cable.
3. Have the length cut off so that it is connected to a connector within 6 inches (15.2 cm) from a building structure, a luminaire, or fitting.

### AVERTISSEMENT – Pour réduire le risque D'INCENDIE OU DE BLESSURE:

- Éteignez/débranchez la lampe et laissez-la refroidir avant de la remplacer.
- La lampe devient rapidement BRÛLANTE. Ne touchez que l'interrupteur/la prise lors de la mise sous tension.
- Ne touchez pas la lentille, le dispositif de sécurité ni le boîtier lorsqu'ils sont chauds.
- N'approchez pas la lampe de matériaux pouvant s'enflammer.
- Ne touchez jamais la lampe. Utilisez un chiffon doux.
- La graisse de la peau peut endommager la lampe.
- N'utilisez pas le raccord du luminaire si le bouclier est absent ou endommagé.

### AVERTISSEMENT – Risque d'électrocution

- Installez tous les luminaires à 3,05 m (10 pieds) ou plus d'une piscine, d'un spa ou d'une fontaine.
- Les luminaires ne doivent pas utiliser de lampes tungstène-halogène à moins que le luminaire soit prévu pour ce type de lampe.
- Le raccordement au réseau électrique et les différents matériels électriques doivent être installés au-dessus du niveau du sol, exception faite pour les fils ou réseaux secondaires qui conviennent aux lieux humides

### LE CÂBLE BASSE TENSION DEVRA:

1. Être protégé en le faisant passer à proximité du luminaire ou du raccord, ou à côté d'une construction comme une maison ou une terrasse.
2. Ne pas être enterré sauf à un maximum de 15,2 cm (6 pouces) pour être branché au câble basse tension principal.
3. Être raccourci de manière à être branché à un connecteur situé à moins de 15,2 cm (6 pouces) d'une construction, d'un luminaire ou d'un raccord.

We have developed this series of field installation guidelines to assist you in correctly installing fixtures and transformers, ensuring customer satisfaction and trouble-free service. If you have any questions, please contact your local distributor or the FX TechLine at 800-733-2823 before proceeding. Follow all NEC guidelines and local electrical codes. For more information, visit: [fxl.com](http://fxl.com)

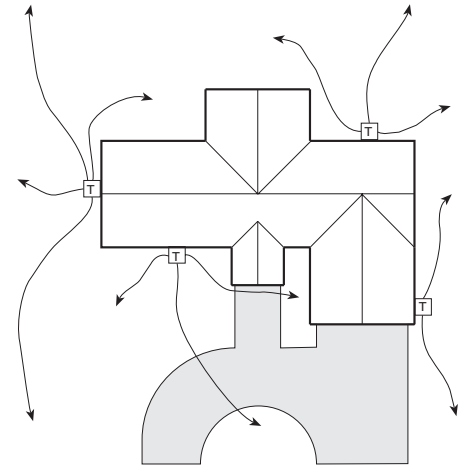
## TRANSFORMERS:

### Single Transformer

When using only one transformer, it is very important to center the transformer on the wattage load. If the project calls for 135 watts in both front and back yard, the transformer should be centered on the side of the house that will receive the most lighting. A common mistake is to locate the single transformer on the service side of the house or in the garage, which might result in excessively long cable runs to reach lighted areas. The primary goal in laying out low voltage systems is to minimize cable runs due to voltage drop.

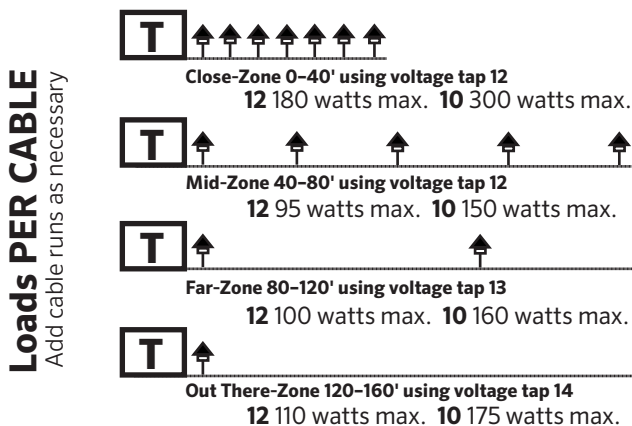
### Multiple Transformers

A common mistake in laying out multiple transformer circuits is to group several transformers in one location because of utility or visual considerations only. As with any low voltage layout, the prime directive should be to locate the transformers as close to the fixtures as possible in order to minimize cable runs. The other multi-transformer layout consideration is “use zoning”. Having several transformers allows the client to selectively control light in separate areas. This approach is similar to irrigation design in that the goal is to individually control areas that have similar needs. In lighting, a recreation area has different lighting needs than does a front entry. Therefore, the lights that serve these different lighting use areas need to be on separate transformers and switch controls.



Sample diagram of home with transformer and lamp placement

## CIRCUITING GUIDELINES:



## LED LIFE:

- For maximum light output, tune lighting circuits to provide between 10 and 15 volts as measured at lamp terminals when all of the lamps on the circuit are operating.
- Voltage can be regulated by adjusting circuit load/run.
- To determine circuit voltage, use a digital voltmeter.

## CONNECTORS:

- Connectors used to connect a luminaire or output circuit component to the main low voltage cable shall be copper or copper alloy, or the equivalent.
- When installed, the connection shall guard against inadvertent shorting of current-carrying parts.
- Wire nuts are not to be used unless provided with corrosion protection and intended for outdoor use.