



## SAFETY NET FOR INGROUND POOLS

### Installation & Maintenance Manual

#### BEFORE YOU START:

Thank you for your purchase of a WaterWarden Pool Safety Net. Please read these instructions in their entirety prior to installation to ensure a smooth and proper installation. Retain manual for future reference. The WaterWarden safety net can be installed on most pools, spas or other water features. If you are unsure as to whether or not your particular pool will work with a WaterWarden pool net, please call (732) 730-9880 Monday-Friday, 9:00 AM to 5:00 PM for help before you begin.

#### NECESSARY EQUIPMENT:

- Tape Measure
- Hammer
- Heavy-Duty Drill\*
- 3/4" Concrete Drill Bit
- Soldering Iron
- Extension Cord
- Clear PVC Glue
- Epoxy or Cement
- Hose/Broom
- Protective Gardening Gloves

\* A heavy-duty hammer drill can be used. For optimal results, use a core drill with a diamond tipped drill bit. If using a core drill, you may want to use a drilling guide to prevent the drill from slipping during use. You can make a drilling guide inexpensively by drilling a 3/4" hole into a piece of 4"x4" piece of board.

#### INCLUDED COMPONENTS:

- WaterWarden Pool Net with Central Tensioning Device and Guide Cords
- Anchors
- Hooks
- QuickRoll Storage Reel Components
- Self-Locking Ratchet with attached Latch Clip
- Additional Latch Clip
- Binding Cord
- WaterWarden token

#### GENERAL GUIDELINES:

- The pool coping (ledge) and deck area must be in good condition.
- Concrete decks must be at least 4" deep to use the WaterWarden in-ground anchor system. If deck is not deep enough, you should use the WaterWarden on-ground bracket system instead.
- When installing a WaterWarden Pool Net on a brand new pool, wait at least one week after final completion of pool before beginning to install a pool net.
- The greater the distance between the water in the pool and the pool net, the more effective the pool net will be.

We recommend that you maintain the water level in the pool at all times at least 7" to 9" below the top edge of the pool, or to the manufacturer's specifications.

- Spacing between anchors should never be greater than 30". All anchors should be installed 10" from the pool edge. If you must move the anchors closer to the pool edge, then for every inch closer to the water, you must also reduce the space between anchors by 3". For example, if you will install the anchors 9" away from the pool edge, you must never space the anchors greater than 27" from one another.
- No pool safety product should ever replace competent adult supervision around a pool. A pool net is a method of last resort, and is only one layer of protection around a pool. Pool nets are not a replacement for adult supervision, not should they ever be construed as a guarantee against unauthorized pool entry.

#### 1) PLANNING THE DESIGN OF YOUR WATERWARDEN SAFETY NET SYSTEM:

To begin, you will plan the positions of the QuickRoll storage reel, the Central Tensioning Device (CTD) and the Tensioning Anchors.

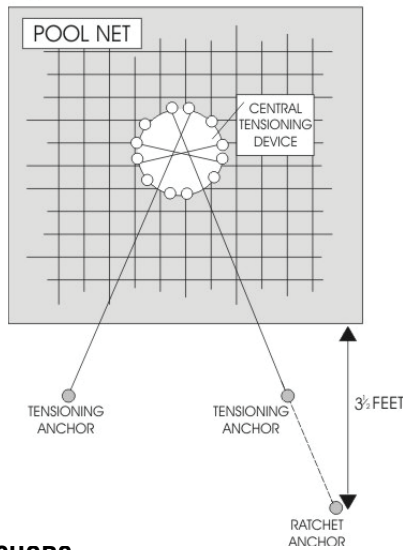
##### *QuickRoll Reel: Only in Ground Pool*

When the safety net is opened and spread out on the ground, you will see that each net has two "sharp" corners, and two "blunt" corners. The sharp corners are labeled with yellow tags, and the blunt corners are labeled with red tags. The QuickRoll reel must be positioned at the corner of the pool where one of two "sharp" corners of the net (yellow-tagged) will be. The other yellow-tagged corner will be the spot that is always fastened to an anchor first when reapplying the net to the pool. Also to consider when placing the QuickRoll reel, the reel requires approximately 3' of open space for it to be anchored and operate freely, so it must be positioned at least 3' from the pool edge.

##### *Central Tensioning Device (CTD):*

The CTD should be located in the middle of the width of the pool, within the largest area of open space. The CTD is already threaded with the Tensioning Cord to face in one particular direction. The Tensioning Cord will fasten to the Tensioning Anchors installed into the deck. This will require approximately 31/2' of space out from the pool edge. If the side of the deck facing the Tensioning Cords is not wide enough, you must unthread the Tensioning Cord, and rethread it through the CTD facing in the opposite direction. (Fig. 1). If there is not enough deck space around the pool at all, all anchors must be installed directly into the pool coping.

**Fig. 1**



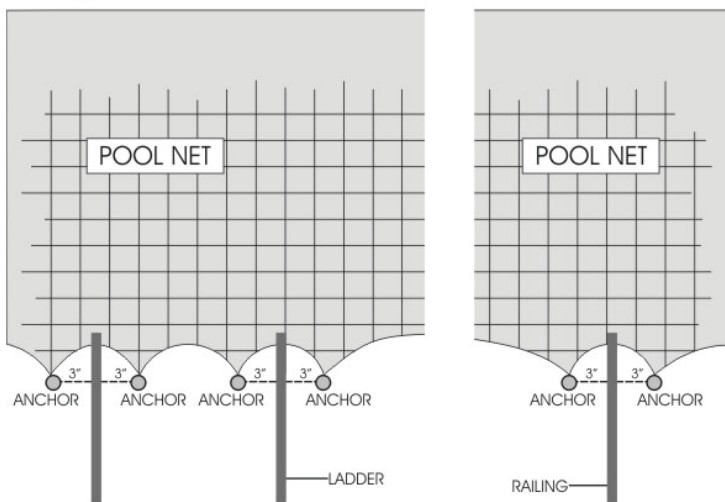
## 2) PLACING THE ANCHORS:

*Do not drill until you have been instructed to do so.*

Measure the length and width of your pool at their widest respective points. Place an anchor on the ground at the exact midpoint of each side. For example, for a rectangular pool of 15' x 30', place 1 anchor at the 7.5' mark of each short side, and 1 anchor at the 15' mark of each long side. These four points will be your guide when installing the net for the first time. Mark these spots on the ground with chalk, referring to them as "L1", "L2", "W1" and "W2".

Place corner anchors. Make sure that any inside or outside angle of the pool has an anchor directly 10" from the corner edge (45°). (Curved pools with no angles do not require this step). Next, you will place anchors adjacent to any railings, ladders etc. Every railing or ladder pole must have 2 (two) related anchors. On either side of each pole place one anchor 3" away from pole, and 10" from pool edge (Fig. 2).

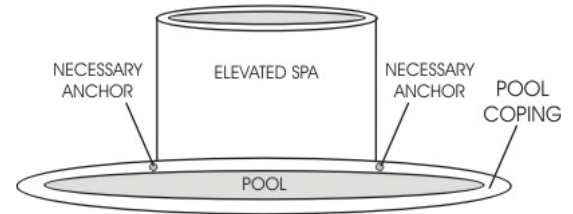
**Fig. 2**



Finally, you will place the remaining anchors around the pool, in between the central anchors and any railing or corner angles. Each anchor must be 10" from the pool edge, and up to 30" apart from one another. If necessary to keep the anchors evenly spaced, you may move them closer together than 30", but never spaced farther than 30" apart. If you must measure a point that is closer than 10" to the pool due to a railing or other obstruction, that particular point must be taken 3" closer to the previous point for every inch fewer than 10". For example, if a certain point taken is only 9" from inside edge of the pool, that point must be at most 27" from previous and following points.

Please note, for pools with elevated spa: There are two options for making a net. As per the customer's and installer's preference, you may either use one net which rides up and over the spa, or you may use two separate net systems, one for the pool and one for the spa. If using one net system, always install an anchor directly in the "corner" where the pool coping meets the spa wall (Fig. 3).

**Fig. 3**



After placing all anchors, you will start drilling. With a heavy-duty hammer or core drill fitted with a 3/4" drill bit, drill the spot under each anchor, 1 3/4" to 2" deep. If using a core drill, remove the core from each hole. Hose or sweep down the deck. Insert each anchor into its hole until it is flush with the ground, with the keyhole facing towards the pool. If anchor is not fitted tightly into the hole, you may use epoxy or cement to fix it. If the fit between the hole and the anchor is very snug, you may tap gently with a hammer on the anchor to fit it into the hole. Do not hammer directly on the anchor, you must use a flat piece of board in between the hammer and anchor head so as not to damage the anchor or pool deck.

## 3) POSITIONING THE POOL NET:

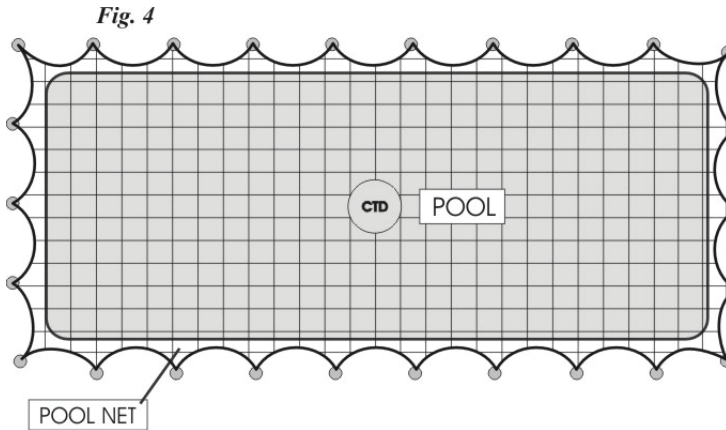
Lay the net flat on the ground. Locate the red and yellow-tagged corners. Locate the black cords running through the net. These cords will help you keep the net straight and square when positioning it for the first time, and the ends of the cords will correspond to the anchors marked "L1", "L2", "W1" and "W2". Also note on which side the Central Tensioning Device (CTD) is located, and which side the Tensioning Cord exits.

### **Do Not Open the CTD, it must remain completely closed.**

Spread the net over the pool with CTD facing up, and pointing toward the side of deck that will hold the Tensioning Anchors. Keep the mesh squares as straight as possible, using the black Guide Cords as your guide. Use the red and yellow-tagged corners as guides for the corners. When the net is laid as straight as possible over the pool, you will start fastening the hooks into the anchors. Go to the "L1" anchor. Clip one hook onto the square of net closest to the end of the black Guide Cord. Fasten the hook into the "L1" anchor. Repeat this process for the "L2" anchor, and then again for the "W1" and "W2" anchors. With the fastening of these four hooks, the net should start to hold uniform tension in both directions. If there is slack in the center of the net, move the hooks one square at a time toward the center of the net, pulling up the net behind the hook to increase tension. Proceed around the pool, clipping a hook onto the square of net closest to each anchor, and fastening into the anchor. Move the hooks accordingly to ensure that the squares of the net are staying straight and true. All hooks should be perpendicular to the pool edge once fastened into the corresponding anchor. If not, move the hook to a different mesh square until it is.

#### 4) TRIMMING AND SHAPING THE POOL NET TO FIT THE POOL:

When you are sure that the net is straight and as tight as you can get it to be, you will trim away any excess netting from behind the hooks and anchors. Use a soldering iron for this, in that way you will also seal off any raw edges of netting and prevent fraying or unraveling. The edges of net should curve neatly from anchor to anchor (Fig. 4). Take extreme caution not to cut the net too close to the pool edge.



#### 5) DOUBLE-BINDING THE POOL NET:

**Ensure that the CTS is still closed.**

If desired, wear protective gardening gloves during the binding process to protect your hands from the chaffing on the rope. Cut the Binding Cord into 10' lengths to make it easier to work with. Begin at any corner, and tie a length of cord into the hook with a non-slip knot. Weave the Binding Cord in and out of each square and knot it tightly around the hook. Continue around the perimeter of the entire net, weaving in and out of the squares and knotting to the hooks. When you come to the end of one length of Binding Cord, simply tie on another length of cord and proceed as described.

As you proceed around the net, ensure that each hook is still facing perpendicular to the pool after you knot the Binding Cord around it.

The second binding will add strength to the net and prevent wear and tear to the edges. Using a length of Binding Cord, knot the cord around the first hook. Thread the cord onto the second square from the hook, pull it through and thread it back into the first square. Slide the cord through the loop you have just made, and pull taut to knot the cord. Perform this knotting technique all around the edge of the net.

#### 6) CLOSING THE HOOKS AND FINISHING THE EDGES:

When the entire net has been double bound, you must close the hooks by tapping them closed with a hammer. Use a piece of board under the hook to protect the pool deck from damage. Proceed around the net, and close all the hooks in this manner.

Then, use the soldering iron to cut off any loose pieces of Binding Cord from where you may have knotted the lengths of cord together. This will serve to prevent any knots from slipping, and to give the completed net a finished, professional look.

Remove the black Guide Cords and the red tags from the blunt corners of the net.

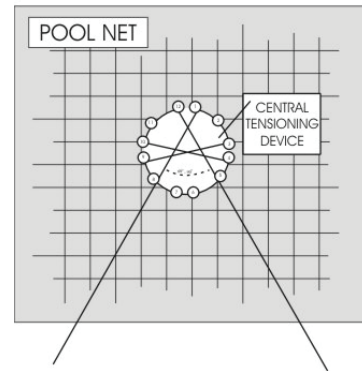
#### 7) FITTING THE TENSIONING & RATCHET ANCHORS AND THE FASTENING CORDS:

To determine the positioning of the CTD and Ratchet Anchors, you must open the CTD. Remove the net from the pool. Open the CTD Tensioning Cord. Loosely tie the ends of the Tensioning Cord to the bound end of the net, so as not to unravel the pulley system.

You will now be installing three additional anchors: two for the ends of the Tensioning Cord, and one additional anchor for the Self-Locking Ratchet.

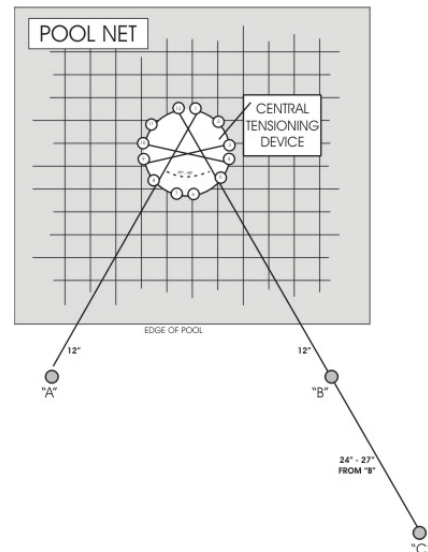
Replace the net onto the pool. Untie the Tensioning Cord from the edge of the net, and grasp one end of the Tensioning Cord in each hand. Guide the Tensioning Cord over Pulley #5 and #8 and cross the two ends over each other, at an angle of 60° to 90° (Fig. 5).

Fig. 5



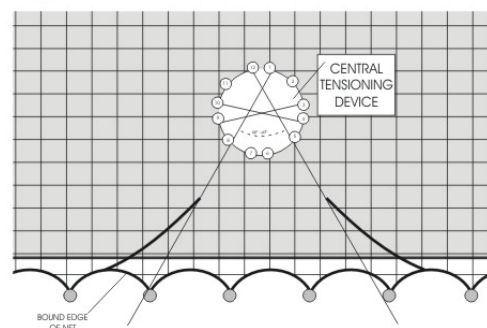
Lay the two ends of the Tensioning Cord onto the ground, following the same angle at which they were crossed. Mark two spots, "A" and "B" on the ground, underneath the ends of the Tensioning Cord and approximately 12" from the pool edge. Mark one additional spot "C" approximately 24" – 27" inches from "B", along the same line of the Tensioning Cord angle (Fig. 6).

Fig. 6



Tie a length of Binding Cord from each side of the Tensioning Cord to the bound edge of the pool net. This will prevent "losing" the ends of the Tensioning Cord when the CTD is loosened (Fig. 7).

Fig. 7



Using the heavy-duty drill fitted with a 3/4" drill bit, drill the spots marked "A", "B" and "C", 13/4" to 2" deep. Sweep or hose the deck clean. Insert anchors into the holes, with the keyhole facing the same angle as the Tensioning Cord.

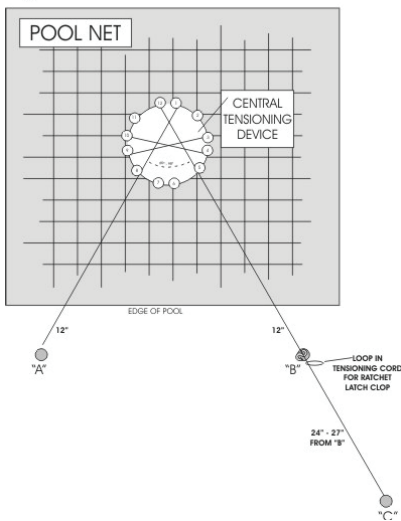
Tie a hook onto the end of the Tensioning Cord corresponding to anchor "A". Fasten the hook into anchor "A".

Pull on the end of the Tensioning Cord that leads to anchors "B" and "C", to tighten the CTD. Knot a hook onto the "B" end of the Tensioning Cord at the spot where the cord reaches anchor "B". Make a loop in the "B" end of the Tensioning Cord, right in front of where the hook is attached (Fig.8). This loop is to attach the Self-Closing Ratchet with the Ratchet Latch Clip, and will be discussed in greater detail in Section 10.

If the net is still not as tight as possible, or the pulleys of the CTD are not completely closed, you should adjust the tension on the "A" side of the Tensioning Cord (to avoid having to retie the two knots on the "B" side).

Close the hooks that you fastened into anchors "A" and "B", by tapping them closed with a hammer.

Fig. 8



### 8) POSITIONING THE z STORAGE REEL:

The QuickRoll reel comes partially assembled and must be glued together with clear PVC glue. (Practice assembling the reel before you glue, since the glue dries very quickly.)

Position the assembled QuickRoll reel at one of the yellow-tagged corners of the net as described in Section 1. Make sure the reel faces the pool at an angle of 45° and is at least 3' from the pool edge to allow for free operation of the reel's arm.

Drill a hole just behind the back end of the reel, 13/4" to 2" deep, with a 3/4" drill bit. Sweep or hose the deck clean. Insert an anchor into the hole, with the keyhole facing the pool at a 45° angle.

Attach a hook to the rear bottom rail of the QuickRoll reel with a length of Binding Cord. Fasten this hook into the hole. Tap the hook closed with a hammer. This hook will prevent the reel from sliding or moving when rolling the net on or off the reel.

Attach the Latch Clip to the center of the rotating arm of the QuickRoll reel with a length of Binding Cord. You will use the Latch Clip to "grab" onto the bound edge of the net when you are ready to roll the net up onto the reel.

### 9) OPERATING THE SELF-LOCKING RATCHET:

The WaterWarden Self-Locking Ratchet fastens into the anchor marked "C" when it is being used to tighten the CTD.

Locate the Latch Clip attached to the Self-Locking Ratchet. Fasten the Latch Clip to the loop you made in the Tensioning Cord behind hook "B". Fasten hook "A" into anchor "A". The Self-Closing Ratchet already has a hook attached to it. Locate this hook, and insert Ratchet Hook into anchor "C".

Pull the Tightening Strap of the Ratchet to tense the CTD. When hook "B" has been pulled all the way to anchor "B", fasten it into anchor "B". Press the Release button on the Ratchet to release the Tightening Strap, and unclip the Latch Clip from the loop on the Tensioning Cord. Store the Self-Locking Ratchet until next use, out of the reach of children or water.

### 10) ATTACHING THE WATERWARDEN TOKEN:

The WaterWarden token should be attached to the net next to the hook which anchors directly opposite the QuickRoll reel. (opposite corner). This hook should always be the first hook which is unclipped when removing the net, and also the first hook fastened when reapplying the net to the swimming pool. Knot the token onto the edge of the net with the attached cord.

## **SAFETY REMINDERS:**



## **WARNING!**

**THERE IS NO SUBSTITUTE FOR COMPETENT ADULT SUPERVISION AROUND A SWIMMING POOL. THE WATERWARDEN POOL NET IS NOT DESIGNED TO BE A SUBSTITUTE FOR ADULT SUPERVISION, NOR IS IT A GUARANTEE AGAINST ACCESS TO THE POOL.**

- Any pool safety product is only effective as a level of protection against unauthorized pool access if used correctly.
- Always remove your pool net completely before using pool.
- Always replace your pool net completely after using pool.
- Never leave children unattended near pool.

### **REMINDERS:**

- The WaterWarden Safety Net is not a toy. Never allow children or adults to play, jump or run on the net. Such activity may cause premature deterioration of your pool net.
- Never allow animals to chew on the net. The Manufacturer's Warranty does not cover this type of destruction.
- Keep external sources of heat, such as barbecue grills, away from the pool net.
- Never use the pool with the net partially opened. Never swim under a pool net that is partially applied.
- Remember that your pool is not secured until the net is completely in place with the CTD properly tightened.
- Check local building codes before installation to be sure you are in compliance with local safety regulations.

You can register your safety net and activate the warranty online at [www.waterwarden.com](http://www.waterwarden.com) or by returning this form, along with a copy of your receipt, within 30 days of purchase to: **Waterwarden Pool Safety Products, 1940 Rutgers University Blvd., Lakewood, NJ, 08701**

Purchase Date: \_\_\_\_\_

Purchaser's Name: \_\_\_\_\_

Address: \_\_\_\_\_

Phone No. \_\_\_\_\_ Email: \_\_\_\_\_

Net Size: \_\_\_\_\_

Retailer Name: \_\_\_\_\_

Retailer Address: \_\_\_\_\_

Retailer Phone No. \_\_\_\_\_ Retailer Email: \_\_\_\_\_



**WARNING! AVOID DROWNING RISK!**

- 1. OBJECTS ARE DIFFICULT TO SEE UNDER NET.**
- 2. STAY OFF THE NET.**
- 3. REMOVE THE NET COMPLETELY BEFORE SWIMMING.**
- 4. THERE IS NO SUBSTITUTE FOR COMPETENT ADULT SUPERVISION AROUND A SWIMMING POOL.**
- 5. THE WATERWARDEN POOL SAFETY NET IS NOT DESIGNED TO BE A SUBSTITUTE FOR ADULT SUPERVISION, NOR IS IT A GUARANTEE AGAINST ACCESS TO THE POOL.**

# WaterWarden Pool Safety Net *Limited Warranty*

## FIVE YEAR STANDARD WARRANTY

Five year limited warranty from date of purchase with one year full.  
After the first year, the claimant shall pay the list price at the date of the claim less one-sixtieth (1/60) of that price for each full month remaining in the warranty period.

**ALL WARRANTY CLAIMS MUST BE HANDLED DIRECTLY  
WITH SPQ BRANDS. DO NOT RETURN TO YOUR DEALER.  
SPQ BRANDS ACCEPTS CLAIMS FROM POOL OWNERS ONLY.**

SPQ Brands warrants to the original purchaser of the Safety Net that the company will, at its option, repair or replace any safety net that proves to be defective in either workmanship or material upon prepaid return of the net by the owner to SPQ Brands, subject to the provisions of the limited warranty stated above, and the exclusions and limitations set forth below. SPQ Brands will, pursuant to the terms of this warranty, at its sole option, either repair the net at a nominal charge to the owner, or replace the net per the pro-rated provisions stated herein. All repaired or replaced covers will be returned at the homeowner's expense. The pro-rated basis for net replacement is set forth above. Warranty valid only within the continental US and Canada.

**What is covered:** The safety net is warranted to be free of defects in material and workmanship when leaving the factory.

**What is not covered:** Any damage due to improper installation, sizing or storage; Damage, defects, malfunctions, or other failures arising from use of the product which does not comply with the instructions provided by the manufacturer; Excessive wear, misuse, neglect, or abuse, including burn holes from smoking or from the effluent of fireplaces, rips and tears caused by acts of nature, rodents and/or people, including animals. Damage, defects, malfunctions, or other failure caused by or related to repairs performed by any servicer other than an authorized service representative of SPQ Brands. Claims will not be accepted for a net's damage in transit unless damage to shipping container is noted at time of delivery on the transport company's delivery bill.

**SPQ BRANDS SHALL IN NO WAY BE LIABLE OR RESPONSIBLE UNDER ANY CIRCUMSTANCES OR IN ANY AMOUNT FOR ANY CONSEQUENTIAL OR INCIDENTAL DAMAGES OR FOR ANY INJURY OR DAMAGES TO PERSON OR PROPERTY USING OR USED IN CONNECTION WITH THIS PRODUCT, OR FOR LOSS OF PROFITS OR OTHER COSTS OR EXPENSES OF ANY KIND OR CHARACTER. THERE ARE NO OTHER WARRANTIES OR REPRESENTATIONS, EITHER EXPRESS OR IMPLIED, WHETHER OF MERCHANTABILITY, FITNESS FOR A PARTICULAR PURPOSE, OR OTHER, MADE BY SPQ BRANDS, OTHER THAN THOSE SPECIFICALLY SET FORTH IN THIS WARRANTY. NO PERSON, FIRM, OR CORPORATION IS AUTHORIZED TO MAKE ANY REPRESENTATIONS, OR INCUR ANY OBLIGATIONS IN THE NAME OF OR ON BEHALF OF SPQ BRANDS, EXCEPT AS STATED HEREIN. THIS WARRANTY IS EXPRESSLY UNDERSTOOD TO BE THE EXCLUSIVE REMEDY AVAILABLE TO THE PURCHASER, AND THIS WARRANTY CONTAINS THE FULL AND COMPLETE AGREEMENT BETWEEN SPQ BRANDS AND THE PURCHASER. THIS WARRANTY SETS FORTH THE ONLY OBLIGATIONS OF SPQ BRANDS WITH REGARD TO THIS PRODUCT, AND THERE ARE NO WARRANTIES WHICH EXTEND BEYOND THE DESCRIPTION ON THE FACE HEREOF.**

## To File a Claim:

- 1) Call 1-609-212-0221 between the hours of 8:30 am and 5:00 pm (Est) to initiate a claim.

The representations set forth herein are the only representations made by SPQ Brands with respect to the product, and this warranty does not constitute either a performance or satisfaction guarantee. It is the responsibility of the product owner to regularly test and check the product for proper function and safety.

This warranty gives the original purchaser specific legal rights. You may have other rights depending on where you live.



**WATERWARDEN®**

POOL SAFETY PRODUCTS

[www.waterwarden.com](http://www.waterwarden.com)