

TECHNICAL REFERENCE GUIDE

The Brilliant Wonders® LED Laminar is a precision engineered water feature, designed for high performance and ease of service. The advanced design features multiple innovations including advanced LED lighting, Smart Sync™ technology, durable filter media and more.

The Brilliant Wonders® LED Laminar has been carefully developed by CMP engineers to achieve a precise balance of performance and reliability.

SMART SYNC™ TECHNOLOGY

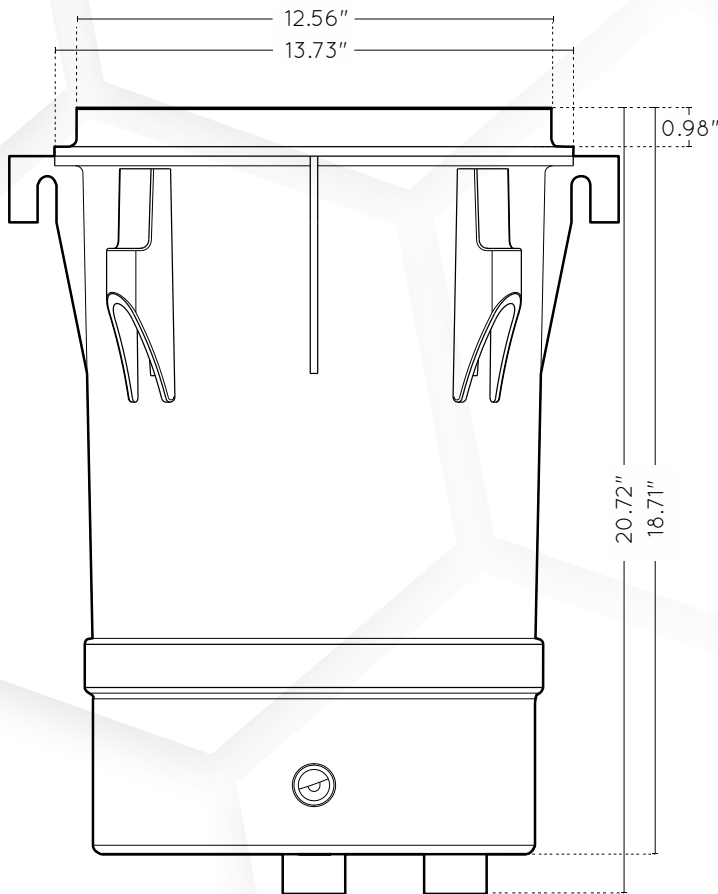
Our lighting + your controls = Smart Sync. Smart Sync programming will synchronize with lighting and controls from all major pool OEMs.

PREMIER FILTER MEDIA

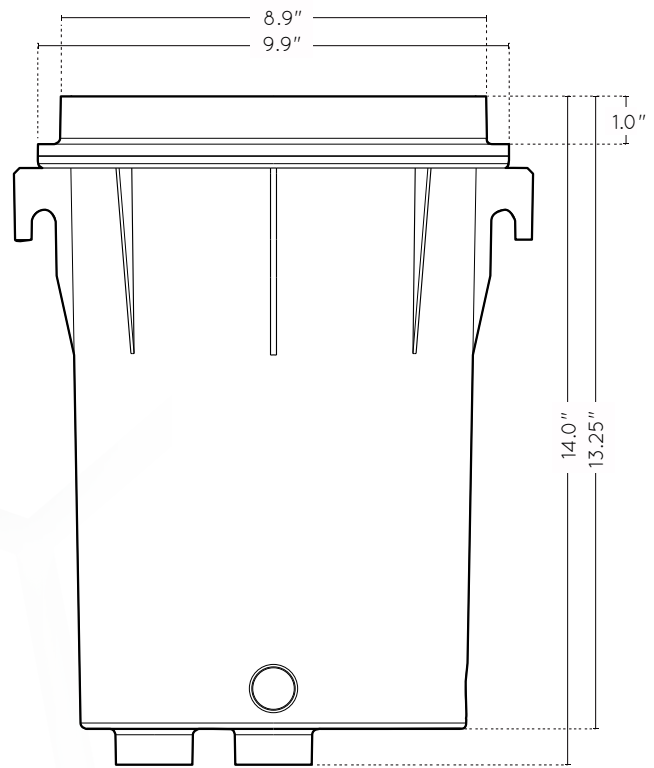
Six layers of soft and safe filtration media that are easy to clean and inexpensive to replace. No more complicated metal screens!

IP68 WATERPROOF QUICK DISCONNECT

Absolutely the easiest LED Laminar light to install and service. For the first time ever, use the quick disconnect to remove the laminar cannon for service without pulling 100 feet of cord.



12" LARGE LAMINAR



8.5" COMPACT LAMINAR

REPLACEMENT PARTS GUIDE

REF	CMP P/N	DESCRIPTION
LARGE LAMINAR REPLACEMENT PARTS		
1	27600-600-140	WHITE DECK COVER ASSEMBLY & SCREWS
1	27600-601-140	GRAY DECK COVER ASSEMBLY & SCREWS
1	27600-609-140	TAN DECK COVER ASSEMBLY & SCREWS
2	27600-600-145	WHITE DECK COVER & SCREWS
2	27600-601-145	GRAY DECK COVER & SCREWS
2	27600-609-145	TAN DECK COVER & SCREWS
3	25597-600-050	12" LAMINAR SIDE BRACKET (EACH, TWO REQUIRED)
4	27600-009-059	BRACKET NUT (EACH, TWO REQUIRED)
5	25597-600-500	12" LAMINAR CANISTER ASSEMBLY
6	25597-600-541	12" LAMINAR CANISTER COVER & O-RINGS
7	25597-620-099	12" LAMINAR FILTER KIT

PERFORMANCE GUIDE

12" LARGE LAMINAR PERFORMANCE			
	6.3 GPM	7.0 GPM	7.6 GPM
INLET PRESSURE	7 PSI	8 PSI	9 PSI
HEIGHT	4.5 FT	5 FT	6 FT
DISTANCE	5 FT	6 FT	7 FT
STREAM DIAMETER	0.5 INCHES Ø		

8.5" COMPACT LAMINAR PERFORMANCE			
	2.5 GPM	3.0 GPM	3.5 GPM
INLET PRESSURE	3.8 PSI	5.0 PSI	6.5 PSI
HEIGHT	2 FT	3 FT	4 FT
DISTANCE	3 FT	4.5 FT	6 FT
STREAM DIAMETER	0.35 INCHES Ø		

FREQUENTLY ASKED QUESTIONS

Does the water to the Laminar need to be filtered?

The Laminar water supply must be filtered by a cartridge filter and be installed with a check valve. Do not use a sand filter.

How do I install the LED light with different brand pool controls?

The Brilliant Wonders® LED Laminar is available to order with Smart Sync™ programming to sync with controls from Jandy®, Hayward® and Pentair®. Simply order the correct style for your pool controls and it just works.

Does the LED Laminar have to be bonded?

No separate ground or bonding wire is required. The Laminars have no exposed metal. They do not require a niche.

For more info and complete installation instructions and important notices, visit www.c-m-p.com

