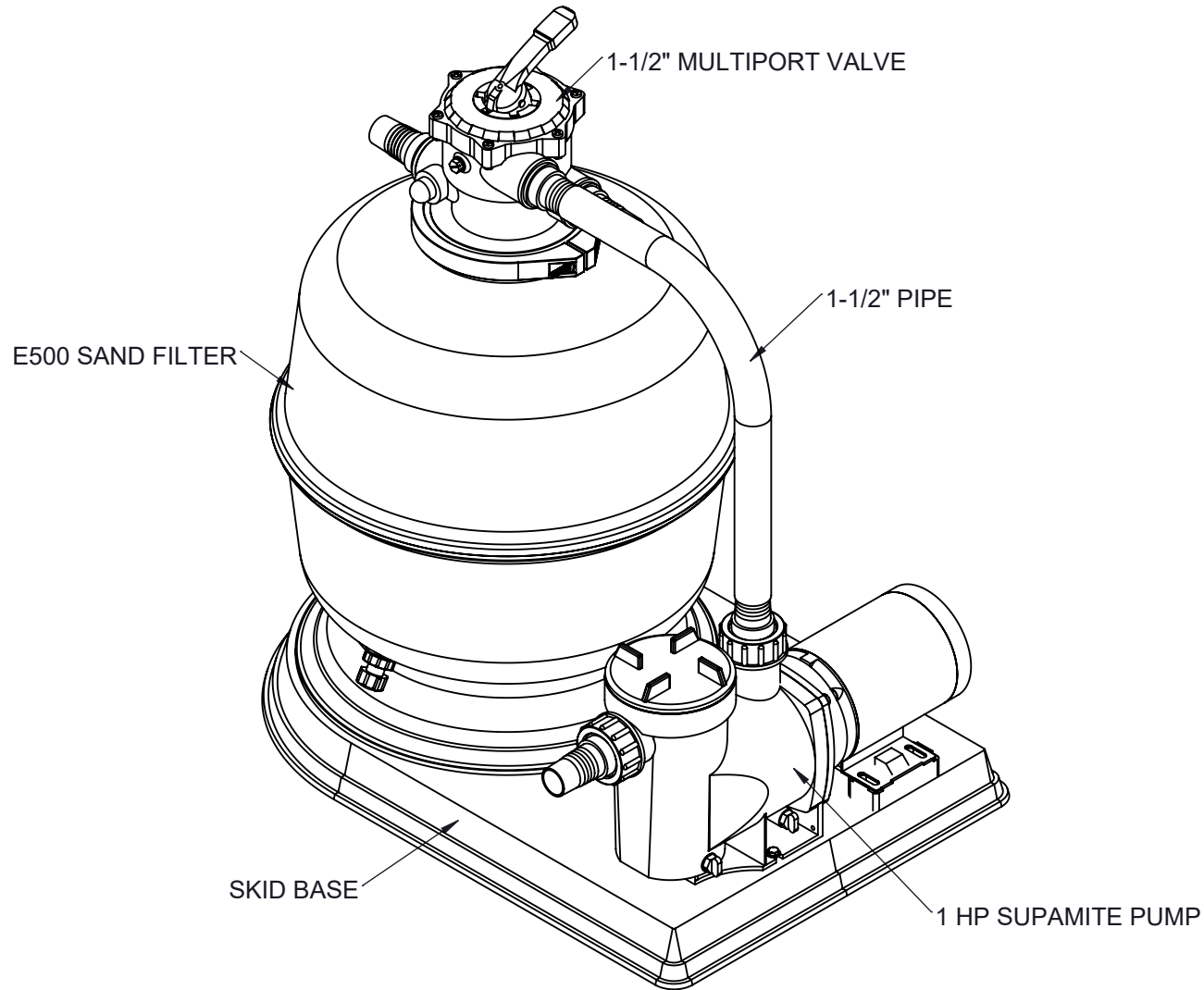


SEE DRAWING #2
FOR DETAILS

FILTER DATA (FOR EACH FILTER)		GENERAL NOTES: 1. MEDIA NOT INCLUDED WITH FILTER. 2. CONCRETE SLAB TO BE DESIGNED BY OTHERS. 3. DRAWING MAY INCLUDE ITEMS SHOWN WHICH ARE NOT BEING SUPPLIED BY WATERCO. PLEASE REFER TO QUOTE FOR LIST OF ITEMS SUPPLIED. 4. FILTER MADE FROM HIGH STRENGTH FIBERGLASS AND RESINS. 5. ALL INTERNAL FILTER COMPONENTS CONSTRUCTED OF SCHEDULE 80 PVC.	DATE: ___/___/2020	DATE: ___/___/2020	<u>WATERCO</u>	
TOTAL SURFACE AREA:	2.12 SQ.FT.		CUSTOMER:	ENG: JS		
MAX WORKING PRESSURE:	58 PSI				EXOTUF SKS20C SKID PACK WITH E500 FILTER, 1-1/2" MPV, & 1 HP SUPAMITE PUMP	
MAX FLOW RATE:	20 GPM/SQ.FT.				DRAWING TITLE: SKID PACKS SKS-16-18-20-24	
ESTIMATED MEDIA AMOUNTS			DATE: ___/___/2020	DATE: ___/___/2020	SHEET: 1 OF 2	
SAND:	220 LBS.	PROD. MGR.: PG	DRN BY: RWS, Jr.	REV: 0		
GRAVEL:	LBS.			SCALE: 1:12		
WEIGHTS (APPROXIMATE)				DATE: 3/5/2020		
FILTER SHIPPING WEIGHT:	27 LBS.			CUSTOMER:		
FILTER OPERATING WEIGHT:	575 LBS.					



FILTER DATA (FOR EACH FILTER)	
TOTAL SURFACE AREA:	2.12 SQ.FT.
MAX WORKING PRESSURE:	58 PSI
MAX FLOW RATE:	20 GPM/SQ.FT.
ESTIMATED MEDIA AMOUNTS	
SAND:	220 LBS.
GRAVEL:	LBS.
WEIGHTS (APPROXIMATE)	
FILTER SHIPPING WEIGHT:	27 LBS.
FILTER OPERATING WEIGHT:	575 LBS.

GENERAL NOTES:

1. MEDIA NOT INCLUDED WITH FILTER.
2. CONCRETE SLAB TO BE DESIGNED BY OTHERS.
3. DRAWING MAY INCLUDE ITEMS SHOWN WHICH ARE NOT BEING SUPPLIED BY WATERCO. PLEASE REFER TO QUOTE FOR LIST OF ITEMS SUPPLIED.
4. FILTER MADE FROM HIGH STRENGTH FIBERGLASS AND RESINS.
5. ALL INTERNAL FILTER COMPONENTS CONSTRUCTED OF SCHEDULE 80 PVC.

DATE: ___/___/2020	DATE: ___/___/2020
CUSTOMER:	ENG: JS
DATE: ___/___/2020	DATE: ___/___/2020
PROD. MGR.: PG	DRN BY: RWS, Jr.

WATERCO

**EXOTUF SKS20C SKID PACK
WITH E500 FILTER, 1-1/2" MPV,
& 1 HP SUPAMITE PUMP**

DRAWING TITLE: SKID PACKS SKS-16-18-20-24		SHEET: 2 OF 2	REV: 0
SCALE: NTS	DATE: 3/5/2020	CUSTOMER:	