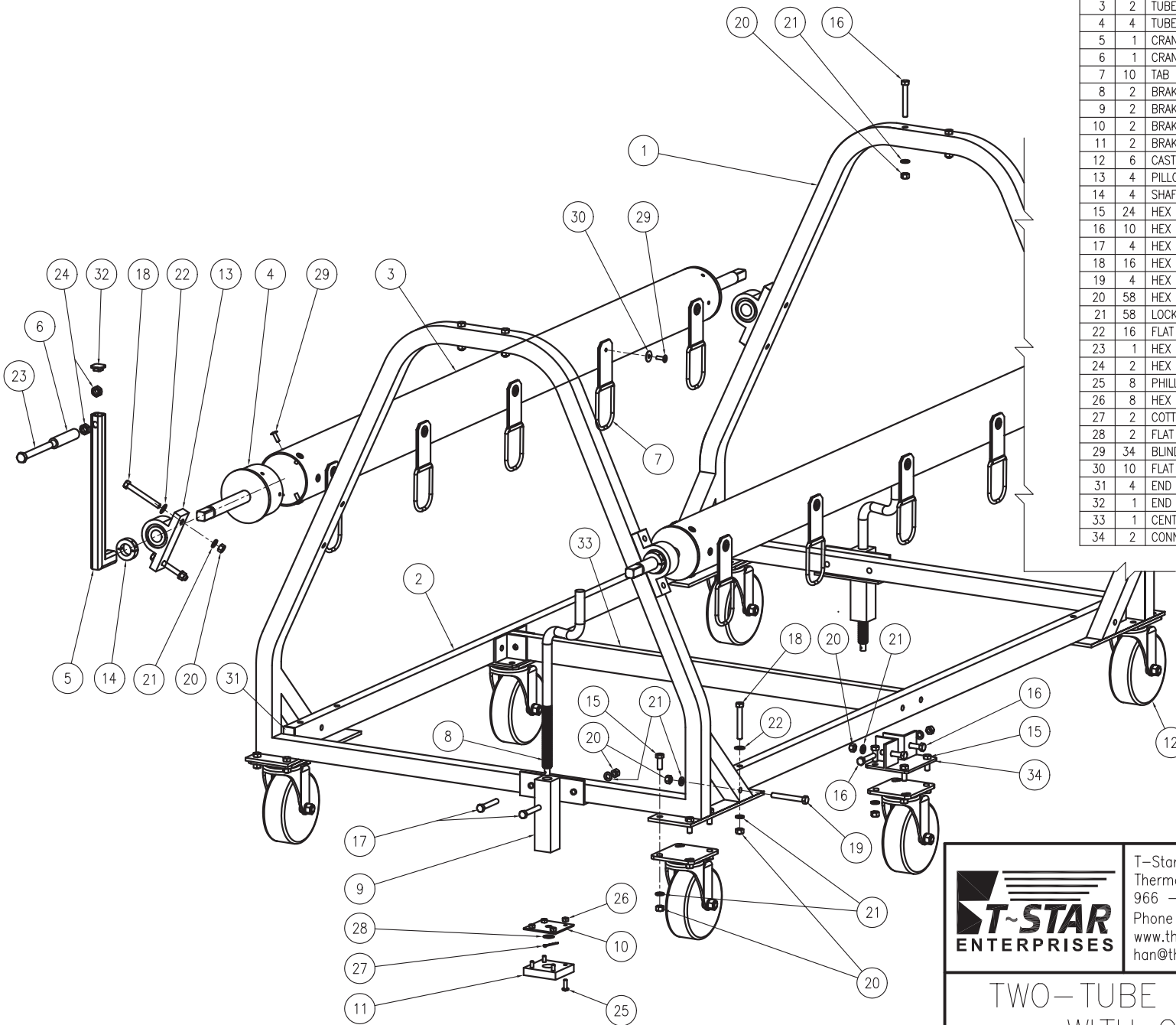


# BILL OF MATERIALS

ITEM	QTY	DESCRIPTION
1	2	END FRAME, S/S
2	2	FRAME CONNECTOR TUBE, LONG, S/S, 1 x 2
3	2	TUBE REEL, S/S, 4-1/2 O.D.
4	4	TUBE PLUG ASSEMBLY, S/S, WITH PVC SLEEVE
5	1	CRANK ARM, S/S
6	1	CRANK HANDLE, PLASTIC
7	10	TAB & CORD SET
8	2	BRAKE ACME SCREW, S/S
9	2	BRAKE HOUSING
10	2	BRAKE PLATE, S/S
11	2	BRAKE PAD, PLASTIC
12	6	CASTER, SWIVEL, 6", W/O BRAKE, S/S - POLYURETHANE
13	4	PILLOW BLOCK BEARING, 1" BORE, PLASTIC
14	4	SHAFT COLLAR, 1-PIECE, 1" BORE, S/S
15	24	HEX BOLT, 3/8-16 x 1, S/S
16	10	HEX BOLT, 3/8-16 x 2, S/S
17	4	HEX BOLT, 3/8-16 x 2-1/2, S/S
18	16	HEX BOLT, 3/8-16 x 2-3/4, S/S
19	4	HEX BOLT, 3/8-16 x 3, S/S
20	58	HEX NUT, 3/8-16, S/S
21	58	LOCKWASHER, 3/8, S/S
22	16	FLAT WASHER, 3/8, S/S
23	1	HEX BOLT, 1/2-13 x 4-1/2, S/S
24	2	HEX JAM NUT, 1/2-13, S/S
25	8	PHILLIPS PAN HEAD MACHINE SCREW, 1/4-20 x 3/4, S/S
26	8	HEX LOCKNUT, 1/4-20, S/S
27	2	COTTER PIN, 3/32 x 1-1/4, S/S
28	2	FLAT WASHER, 7/16, S/S
29	34	BLIND S/S RIVET: 1/4 DIA X 0.56 LG
30	10	FLAT WASHER, 1/4, S/S
31	4	END CAP, PLASTIC, FOR LONG FRAME TUBE
32	1	END CAP, PLASTIC, FOR CRANK ARM
33	1	CENTER CONNECTOR TUBE, 1 x 2
34	2	CONNECTOR, CENTER



T-Star Enterprises, Inc.  
 Thermal Pool Covers  
 966 - 77th Avenue, Oakland, CA 94621  
 Phone (510) 635-2736 Fax (510) 635-2738  
 www.thermalpoolcover.com  
 han@thermalpoolcover.com

## TWO-TUBE REEL ASSEMBLY WITH CROSS TUBE

DATE: 20 SEP 2005 REVISION A