

10" ROUND COLOR CHOICE® SUCTION OUTLET COVER WITH SCREW KIT



Certified to
NSF/ANSI/CAN 50
ANSI/APSP/ICC-16 2017

Open Area
26.5 in²

For SOFA Specific Flow Ratings and
specifications please scan QR code or visit
www.aquastarpoolproducts.com/flowcode



FEATURES

Certified, Listed, and Labeled in conformance with APSP/ANSI/ICC-16 2017 and NSF/ANSI/CAN 50 standards

Unique design allows for plaster, aggregate, or tile to be applied directly to the top of the cover to blend into pool finish

Manufactured from superior UV-resistant engineered polymers

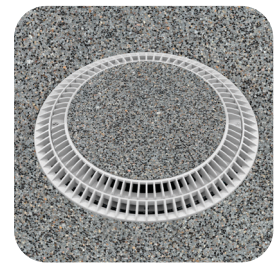
#316 stainless steel screws

Online product support including downloadable General Certificate of Conformity, third-party certificate, installation instructions and more

Replace drain cover every five years from the date of installation

8 per case

NEW



Unique design allows the cover to blend into pool finish

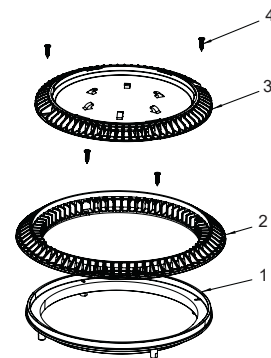
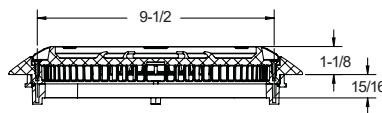
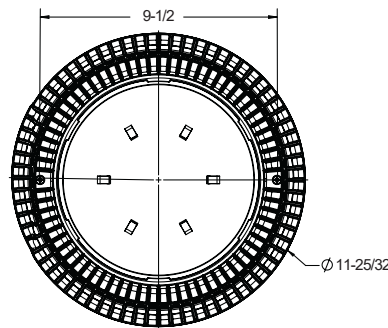
Part # CC10xxx

Designed to replace standard 10" round covers that have a 9 1/2" center-to-center screw hole measurement

STANDARD COLORS

- CC10101 – White
- CC10102 – Black
- CC10103 – Light Gray
- CC10105 – Dark Gray
- CC10108 – Tan
- CC10100 - Clear

Also available as frame only
p/n 10FRxxx
24 per case



1. 10" Round Mud Frame
2. 10" Color Choice Riser Ring
3. 10" Color Choice Round Suction Outlet Cover
4. 10 x 3/4" Flat Head Phillips, 316 SS, Qty 4

P 877-768-2717 F 877-276-POOL Outside the US: P +1-949-336-1940 F +1-949-336-1940
info@aquastarpoolproducts.com www.aquastarpoolproducts.com

6" Socket Deep PVC Sump

NSF

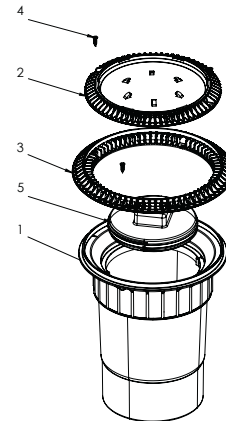
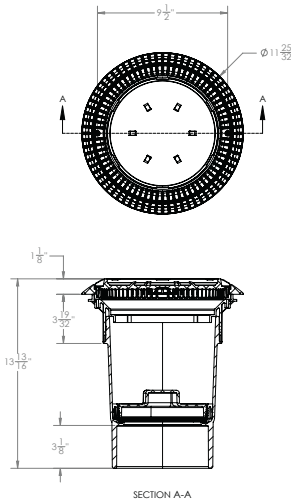
Certified to
NSF/ANSI/CAN 50
ANSI/APSP/ICC-16 2017

Open Area
26.5 in²

For SOFA Specific Flow Ratings and
specifications please scan QR code or visit
www.aquastarpoolproducts.com/flowcode



Part #
CC10xxxF
4 per case



1. 10" Round Double Deep PVC Sump Bucket
2. Ring, 10" Riser, Color Choice
3. Cover, 10" Fillable, Color Choice
4. 10 x 3/4" Flat Head Phillips, Type A Screw, 316 SS, Qty 4
5. Plug, 4" NPT, Deep Sump Bucket

3" Socket x 4" Spigot Side Port PVC Sump

NSF

Certified to
NSF/ANSI/CAN 50
ANSI/APSP/ICC-16 2017

Open Area
26.5 in²

For SOFA Specific Flow Ratings and
specifications please scan QR code or visit
www.aquastarpoolproducts.com/flowcode



NEW Hassle-free pressure testing
and winterizing



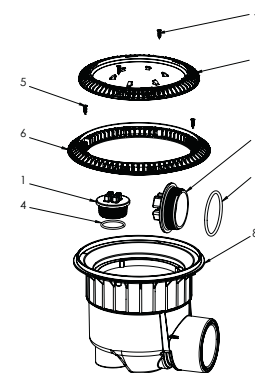
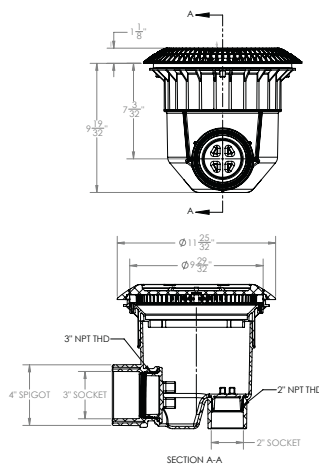
Hassle-free pressure testing and winterizing
Comes with a 3" and 2" NPT cap with O-ring.
No knock-outs required.



Optional 2" hydrostatic relief valve available p/n HV101

Part #
CC10xxxSSB
2 per case

2" Plug and O-Ring, p/n 2SBP101
3" Plug and O-Ring, p/n 3SBP101



1. Plug, 2" Pipe THD.
2. Plug, 3" Pipe THD.
3. O-Ring, #340, 3.350" ID x .210 THK., EPDM
4. 10 x 3/4" Flat Head Phillips, Type A Screw, 316 SS, Qty 4
5. Ring, 10" Riser, Color Choice
6. Cover, 10" Fillable, Color Choice
7. Side Port Sump Bucket, 10" Round Frame
8. Side Port Sump Bucket, 10" Round Frame