

WMF076 – Crown Jet

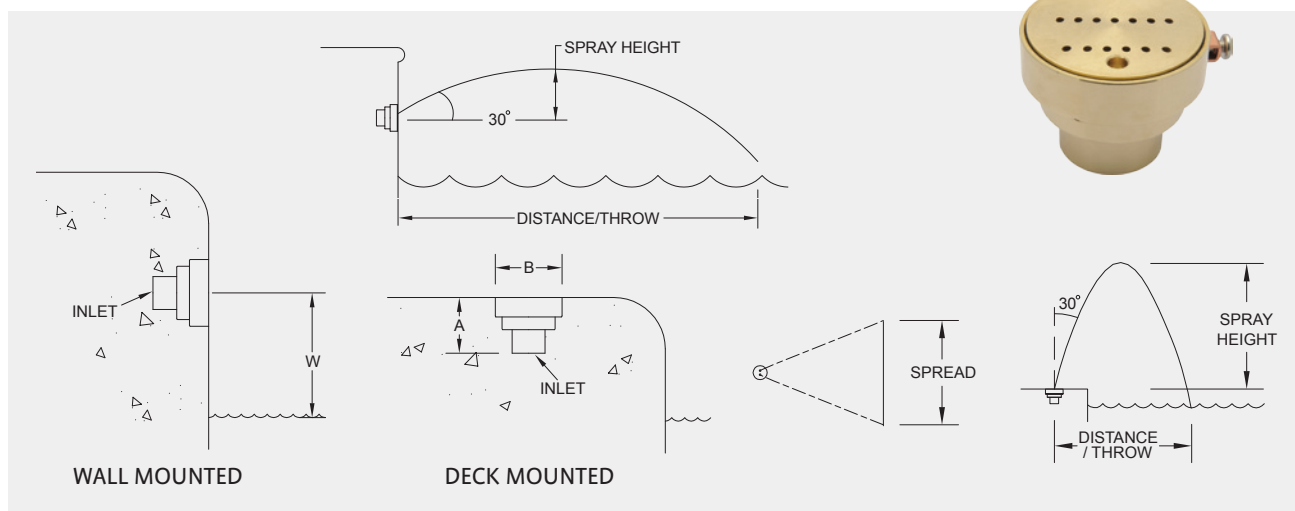
Designed to be flush mounted in a pool wall or deck, the Crown Jet has two rows of angled streams that create a gentle double spray that arch into the pool. Recommend fine screening at pump for optimum effect (suction strainer openings 1mm). Available with optional winter cover (WMF081) and removal key (WMF082). Made of machined cast bronze and brass.

* For interactive play do not exceed 6 meters per second.

For fast and easy changes of water effects, the Stream Jet, Crown Jet, Stream Jet Multi and Tri-Stream nozzles are interchangeable!



VISIBILITY	■ ■ ■ □ □
SOUND LEVEL	■ ■ □ □ □
WIND RESISTANCE	■ ■ □ □ □
SPLASH/MIST	■ ■ □ □ □
EFFICIENCY	■ ■ ■ ■ □



*Contact Crystal Fountains for detailed specifications, installation and operation details.



This product is available under our Quick Ship program! See page 15 for more details.

DIMENSIONS

Part No.	Inlet (b.s.p.t.)	a dim. (mm)	b dim. (mm)	w dim. (mm)	Suction Strainer Openings max. mm.	Mounting
WMF076	1"	51	64	102	2	Deck

Options	Part No.
Cover Removal Key	WMF082
Winter Cover	WMF081

PERFORMANCE

Throw (m.)	0.4	0.6	1	1.3	1.6	1.9
LPM		19.0	25.0	30.0	36.0	38.0
Head (m.)		1	1.3	1.6	1.9	2
Spray height (m.)		0.4	0.6	0.7	0.8	0.9
Spread (cm.)		83	117	135	171	205
LPM	9.0	13.0	21.0	26.0	30.0	36.0
Head (m.)	0.5	0.4	0.8	1	1.3	1.6
Spray height (m.)	0.2	0.2	0.3	0.3	0.4	0.4
Spread (cm.)	31	41	68	87	107	133