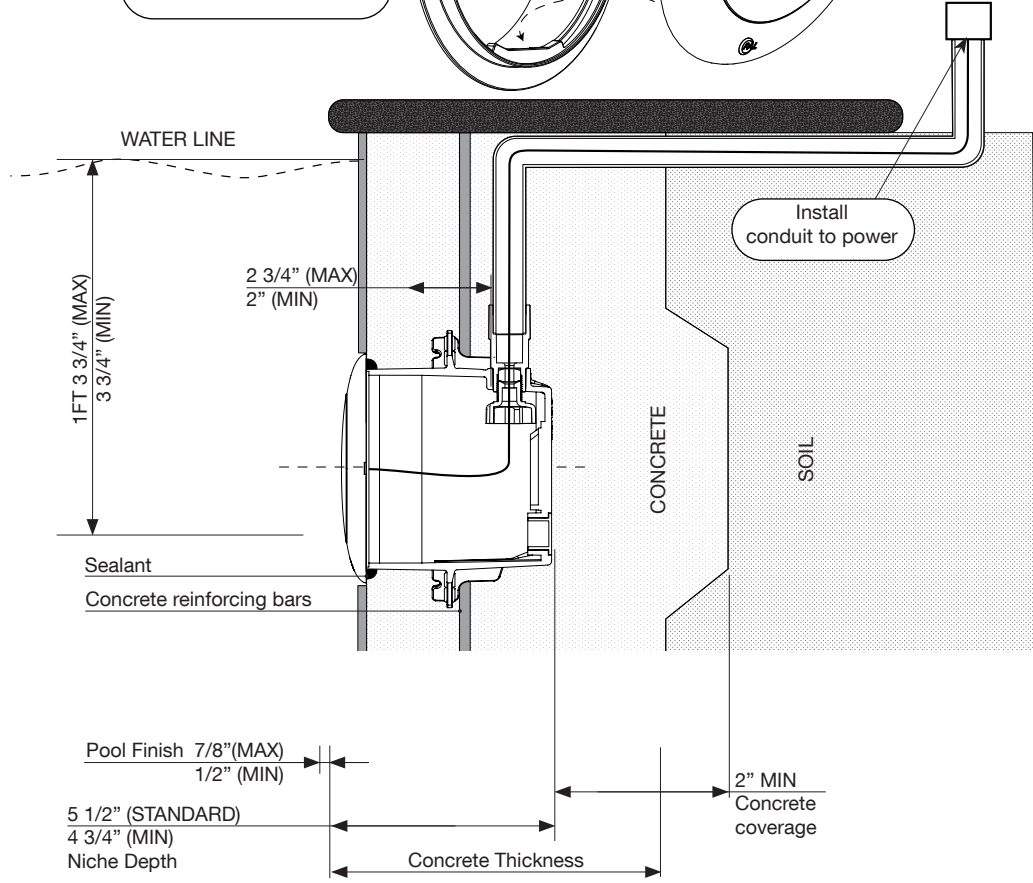
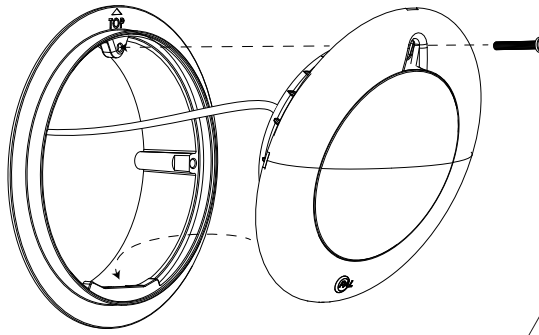


# NICHE INSTALLATION

## Final Installation

Mount light to niche by tilting into bottom lip and securing with screw at top.

DO NOT USE ELECTIC DRILL.

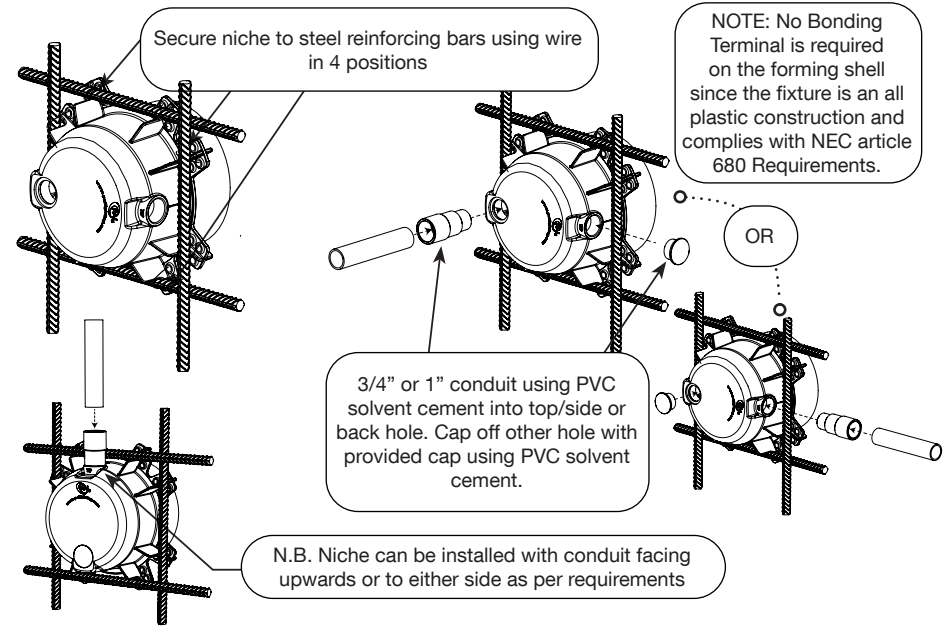


info@pallighting.com



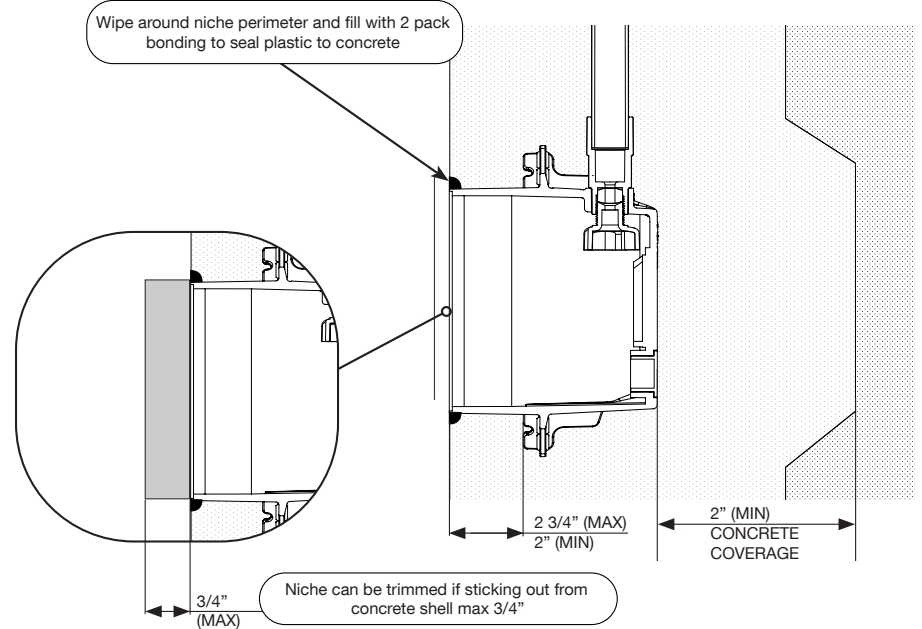
# NICHE INSTALLATION

## Securing to steel bars



NOTE: No Bonding Terminal is required on the forming shell since the fixture is an all plastic construction and complies with NEC article 680 Requirements.

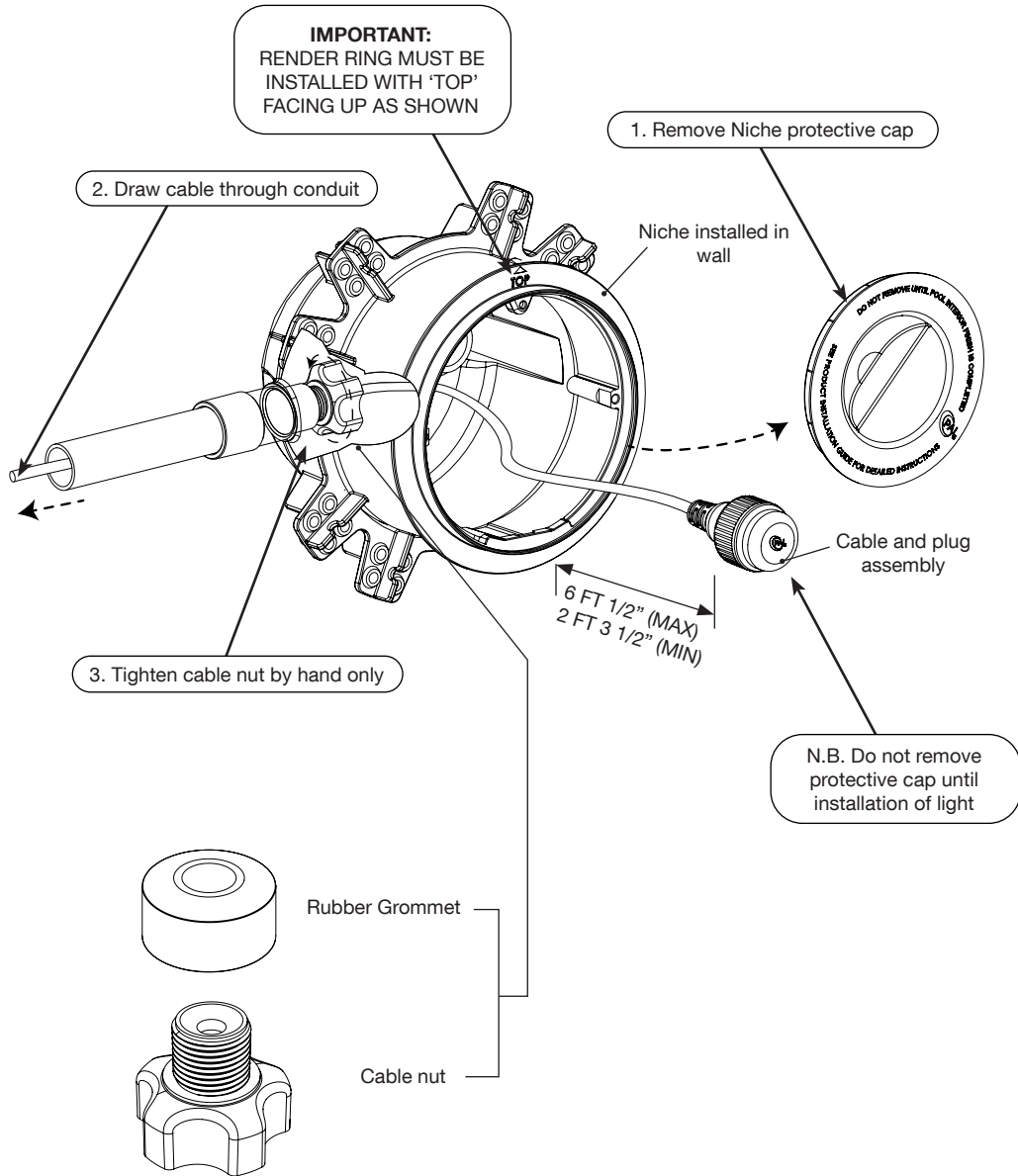
N.B. Niche can be installed with conduit facing upwards or to either side as per requirements



Niche can be trimmed if sticking out from concrete shell max 3/4"

# NICHE INSTALLATION

## Installation of cable



# NICHE INSTALLATION

## Pool Finish and Rendering

