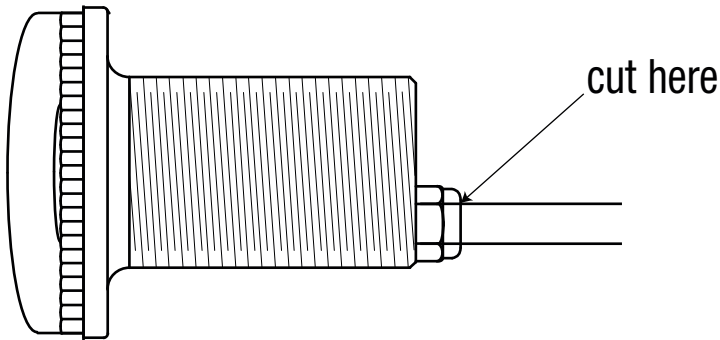


Step 1. Remove existing damaged lamp holder from pool.

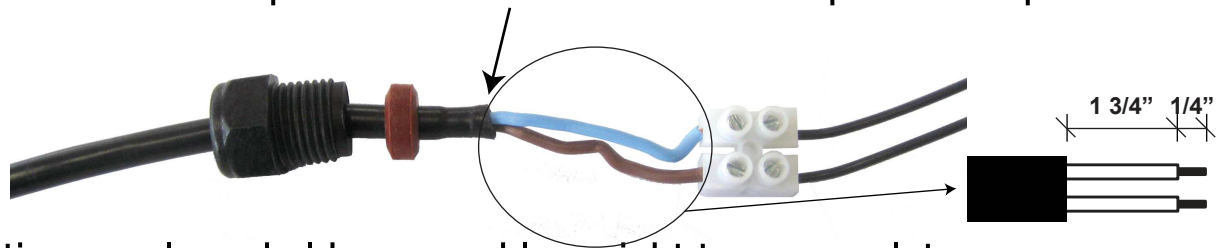
Step 2. Undo nut and cut off damaged lamp holder.



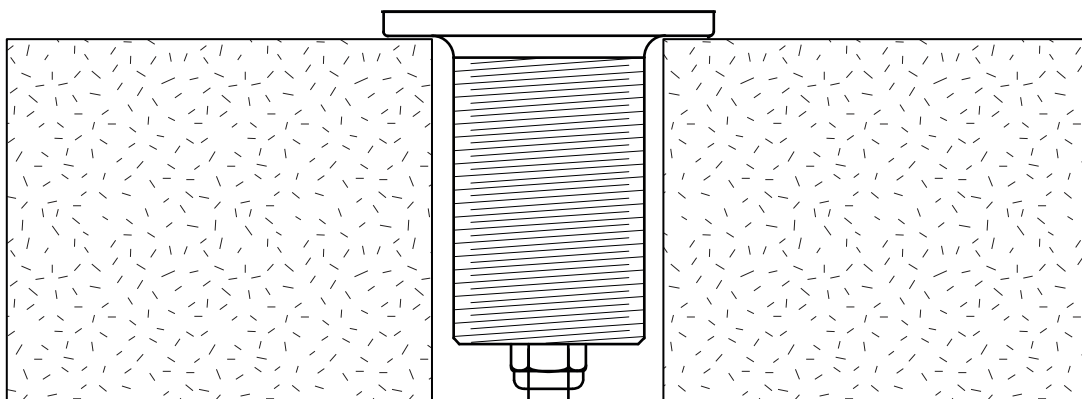
Step 3. Strip 2 core wire same as sample supplied.

Step 4. Modify existing wire as shown in the wire template cable supplied.

Note: The wire template is not to be fitted in the replacement process.



Step 5. Position new lamp holder assembly upright to encapsulate (between 2 bricks or similar).



Step 6. Dispense the araldite/hardener from the pack supplied into lamp body to fill just above wiring (same as old lamp body being replaced).

Step 7. The mix takes about 5 minutes to go hard.

Step 8. After araldite is set re-assemble the lamp/lens assembly.

Step 9. Fit new lamp holder into wall fitting.