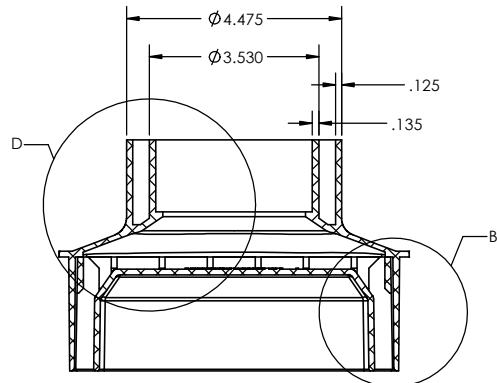
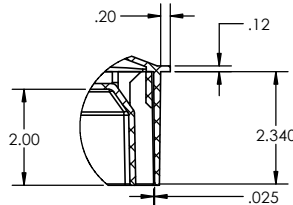


BASE WEIGHT: 315 grams

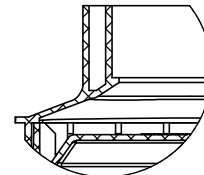
INSERT WEIGHT: 220 grams



SECTION A-A



DETAIL B
SCALE 1 : 2



DETAIL D
SCALE 1 : 2

PROPRIETARY AND CONFIDENTIAL
THE INFORMATION CONTAINED IN THIS DRAWING IS THE
SOLE PROPERTY OF EDGE PLASTICS. ANY REPRODUCTION
IN PART OR AS A WHOLE WITHOUT THE WRITTEN PERMISSION
OF EDGE PLASTICS IS PROHIBITED.

UNLESS OTHERWISE SPECIFIED DIMENSIONS ARE IN INCHES TOLERANCES: FRACTIONAL: ± ANGULAR: ±1.0 .XX = ±.01, .XXX = ±.005			Edge Plastics 1850-C Massachusetts Ave. Riverside, CA 92507 951 786 4750		
DRAWN	NAME	DATE	TITLE: 6" DECK DRAIN		
CHECKED	AVENTURA	02/21/13	SIZE	DWG. NO.	REV
MATERIAL	ABS		C	601 DECK DRAIN	B
FINISH			SCALE 1:2	DO NOT SCALE	SHEET 1 OF 1