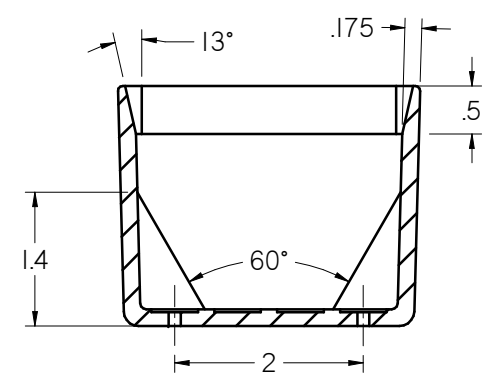
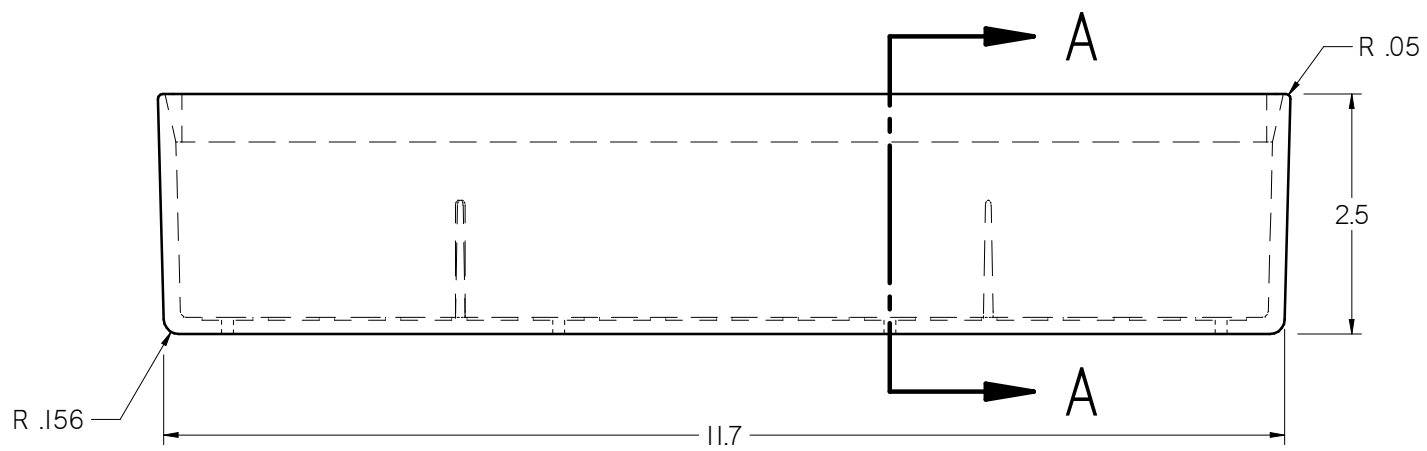
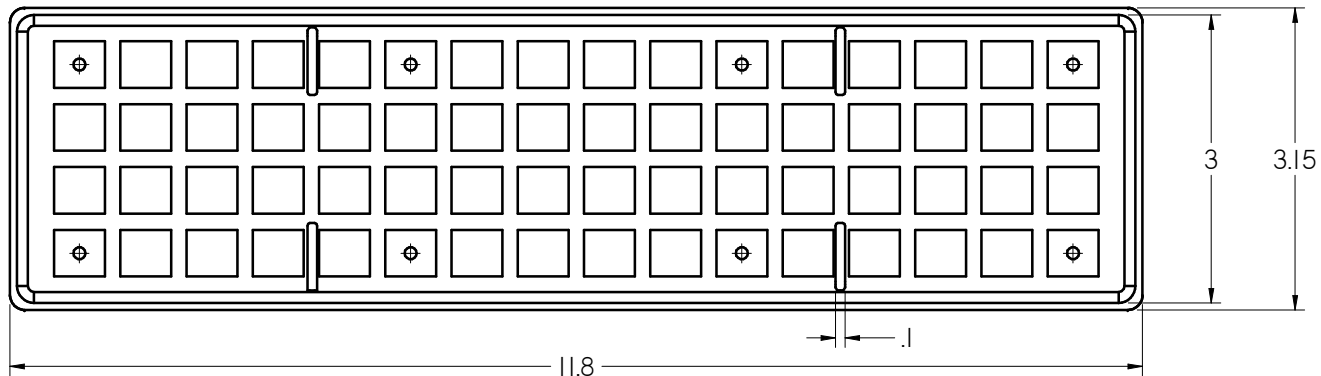


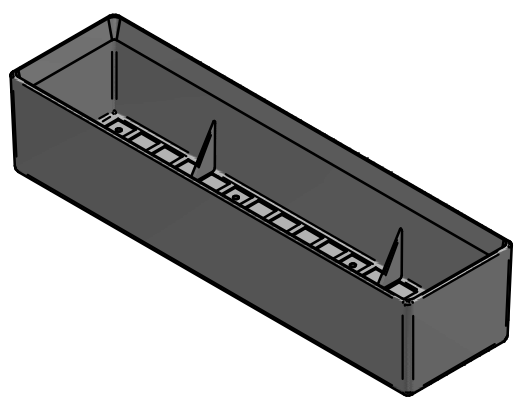
PROJECT	STREET DRAIN-BASE	
MATERIAL	PP	
UNLESS OTHERWISE SPECIFIED DIMENSIONS ARE IN INCHES TOLERANCES ARE:	DRAWN	A.M 21/12/17
	ISSUED	J.C 21/12/17
	APPROVED	
	SCALE	1:4 REV.



3016 Kansas Ave. Bldg. 3
Riverside, CA 92507
T 951 786-4750 F 951 684-9445



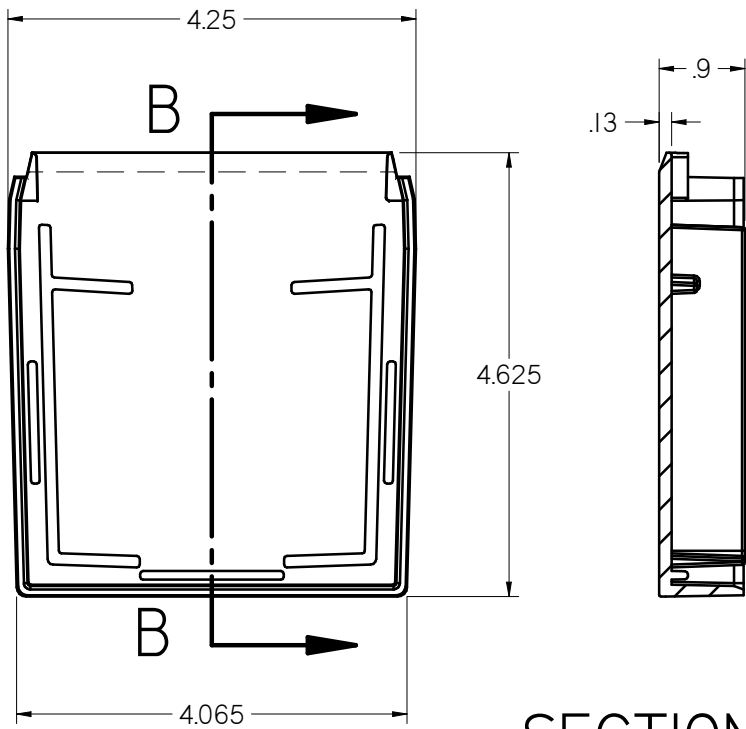
SECTION A-A



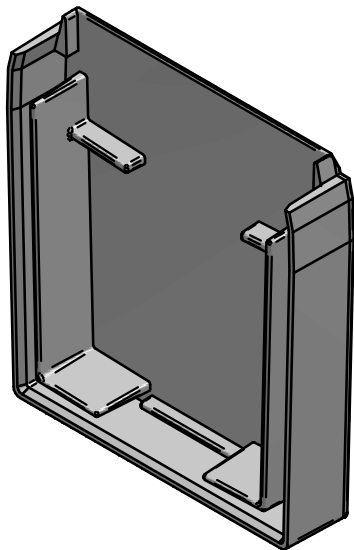
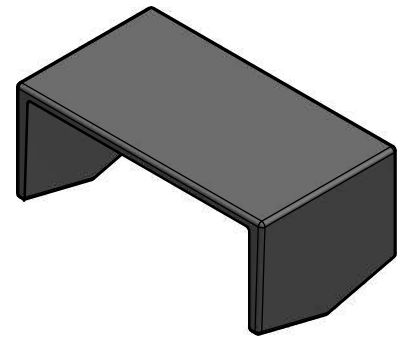
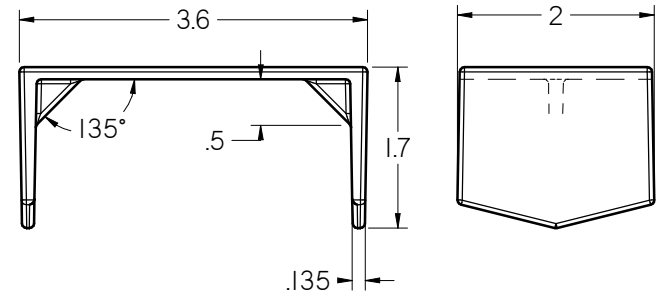
PROJECT	STREET DRAIN-TRAY	
MATERIAL	PP	
UNLESS OTHERWISE SPECIFIED DIMENSIONS ARE IN INCHES TOLERANCES ARE:	DRAWN	A.M 2/1/2/17
	ISSUED	J.C 2/1/2/17
	APPROVED	
	SCALE	1:2 REV.

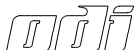


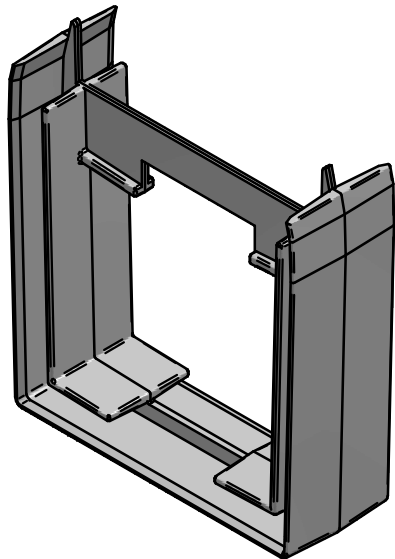
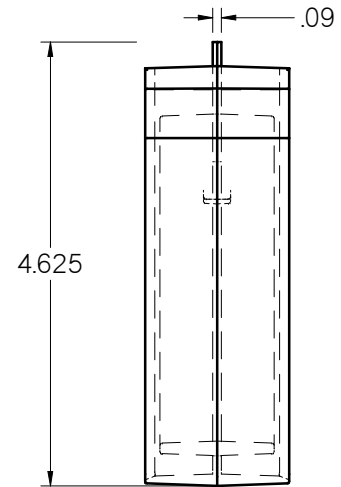
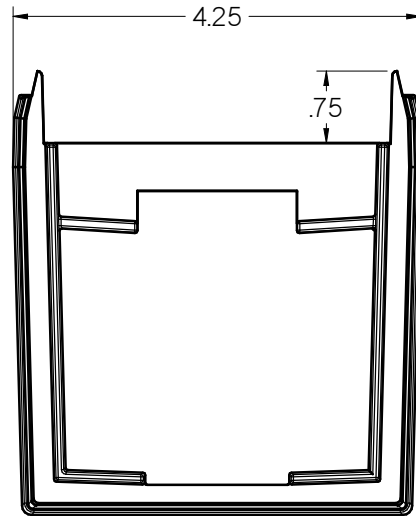
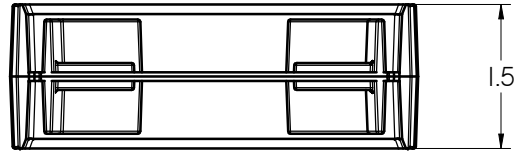
3016 Kansas Ave. Bldg. 3
Riverside, CA 92507
T 951 786-4750 F 951 684-9445




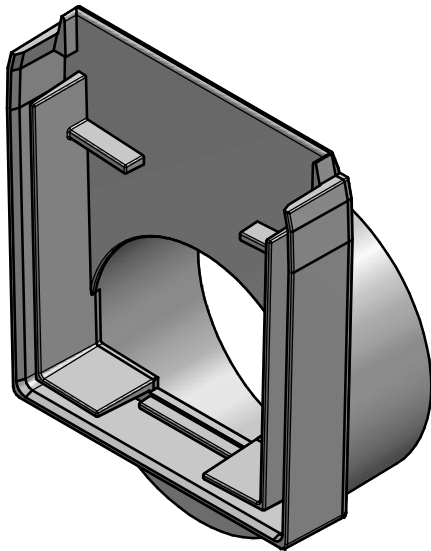
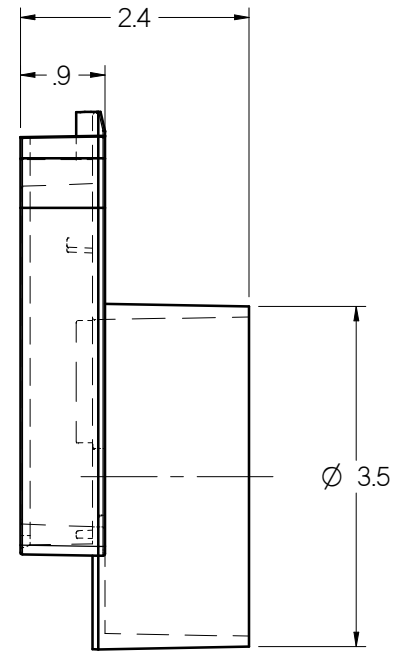
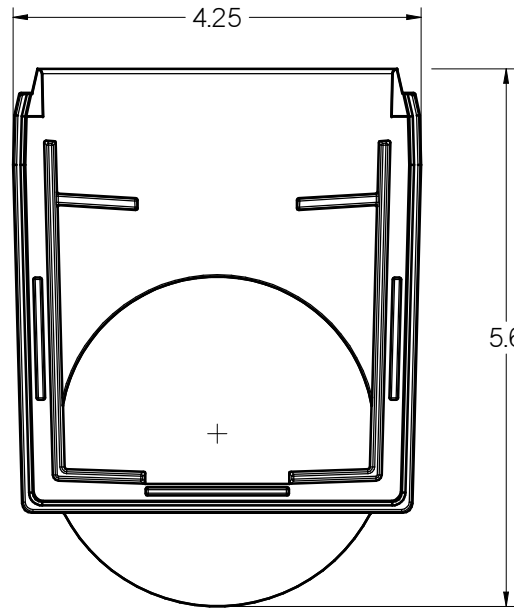
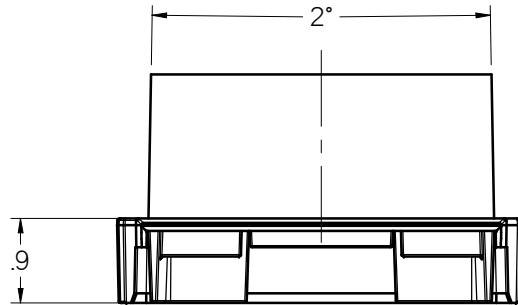
SECTION B-B



PROJECT STREET DRAIN-END CAP & SPACER		 3016 Kansas Ave. Bldg. 3 Riverside, CA 92507 T 951 786-4750 F 951 684-9445	
MATERIAL PP		DRAWN A.M	2/1/2/17
UNLESS OTHERWISE SPECIFIED DIMENSIONS ARE IN INCHES TOLERANCES ARE:		ISSUED J.C	2/1/2/17
		APPROVED	
SCALE 1:2		REV.	



PROJECT STREET DRAIN-COUPLER		 3016 Kansas Ave. Bldg. 3 Riverside, CA 92507 T 951 786-4750 F 951 684-9445		
MATERIAL PP				
UNLESS OTHERWISE SPECIFIED DIMENSIONS ARE IN INCHES TOLERANCES ARE:		DRAWN	A.M	2/1/2/17
		ISSUED	J.C	2/1/2/17
		APPROVED		
		SCALE	1:4	REV.



PROJECT	STREET DRAIN-END DRIAN	
MATERIAL	PP	
UNLESS OTHERWISE SPECIFIED DIMENSIONS ARE IN INCHES TOLERANCES ARE:	DRAWN	A.M 2/1/2/17
	ISSUED	J.C 2/1/2/17
	APPROVED	
	SCALE	1:4 REV.



3016 Kansas Ave. Bldg. 3
Riverside, CA 92507
T 951 786-4750 F 951 684-9445