

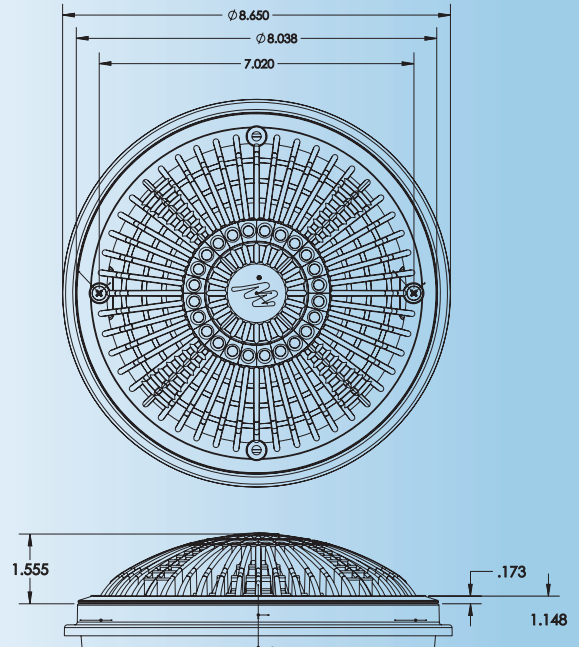
# Tru Flo Covers and Frames



640-1800 V

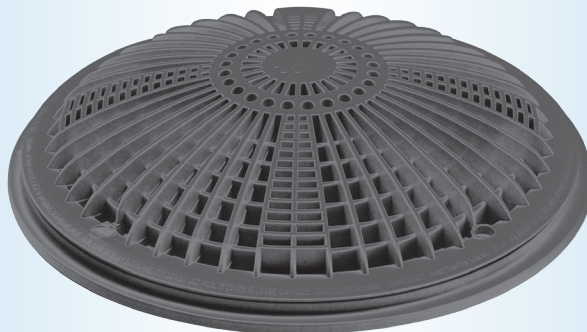
**SPECIFICATIONS:**

- Total Open Area: 14.8 sq. in.
- Frame Size: 8" Round
- Floor Flow Rate: 153 GPM @ 2.72 ft/sec
- Wall Flow Rate: 96 GPM @ 1.73 ft/sec
- Flow Rate @ 1.5 ft/sec: 68 GPM



## Tru Flo 8" Covers and Frames

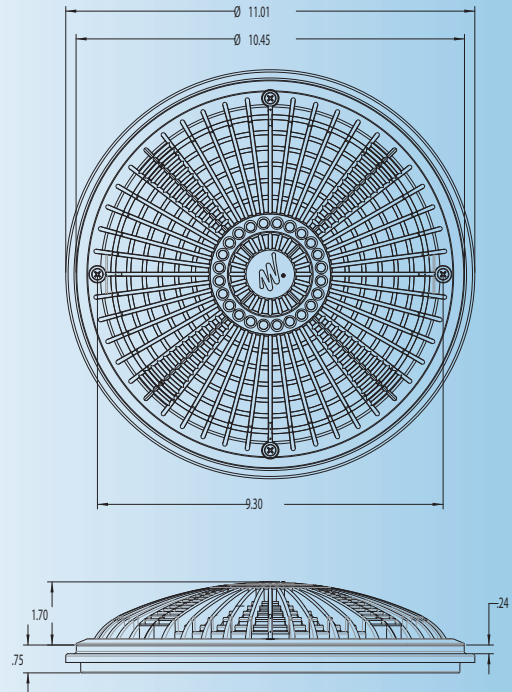
Part No.	Description	Case Weight	Case Quantity
640-18xx V	8" Tru Flo Cover & Frame	25.88 lbs.	25



640-1919-DKG V

**SPECIFICATIONS:**

- Total Open Area: 30.9sq.
- Frame Size: 10" Round
- Floor Flow Rate: 200GPM @ 4.04 ft/sec
- Wall Flow Rate: 136 GPM @ 2.24 ft/sec
- Flow Rate @ 1.5 ft/sec: 143 GPM



## Tru Flo 10" Covers and Frames

Part No.	Description	Case Weight	Case Quantity
640-19xx V	10" Tru Flo Cover & Frame	22.75 lbs.	15

Replace the final x in the part number with the color of your choice. See guide on inside front cover.