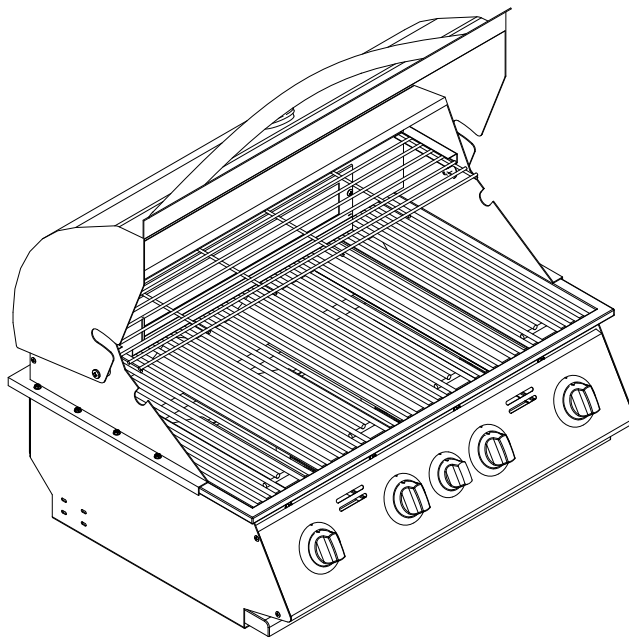
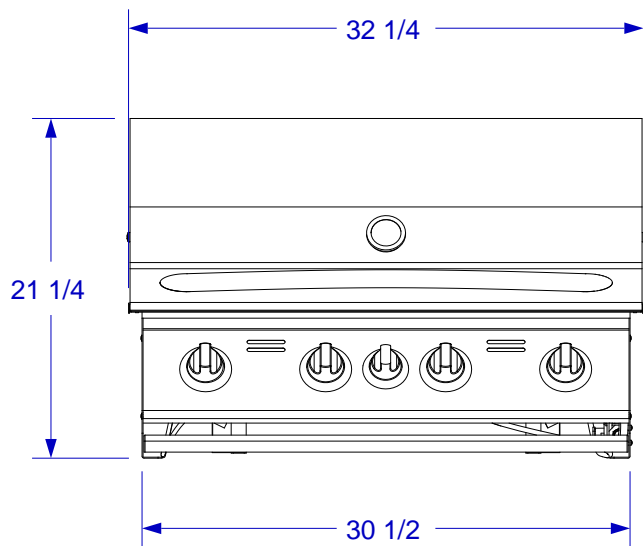


# Bullet 4 BURNER GRILL SPEC SHEET

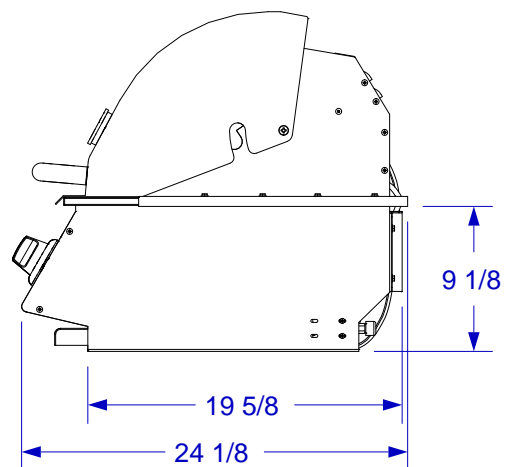
\*ISLAND MUST BE CONSTRUCTED WITH NON-COMBUSTIBLE MATERIALS; REFER TO GRILL OWNERS MANUAL



ISOMETRIC VIEW



FRONT VIEW



RIGHT SIDE VIEW

**NOTES:**

1. CUTOUT DIMENSIONS: 31" W X 20 1/2" L X 10" D
2. SCALE: 1" = 1'-0"
3. REVISION: 10/2009