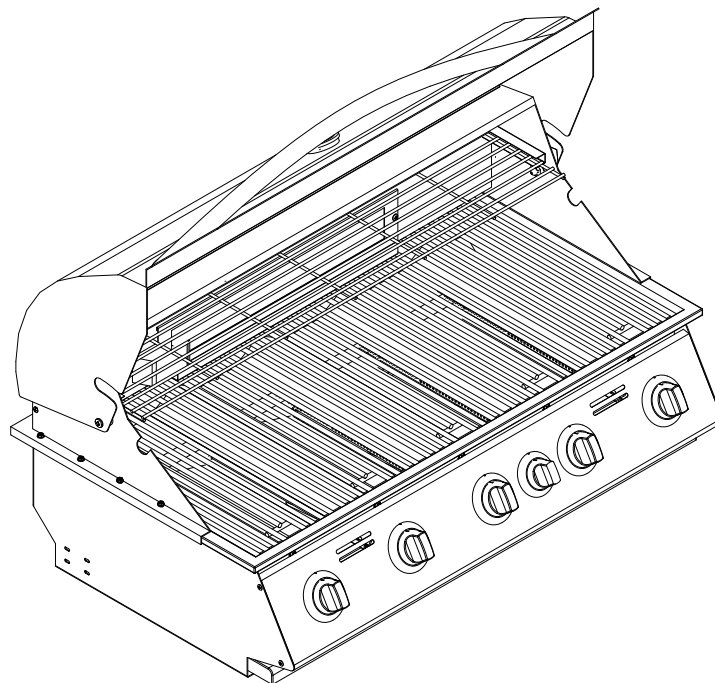
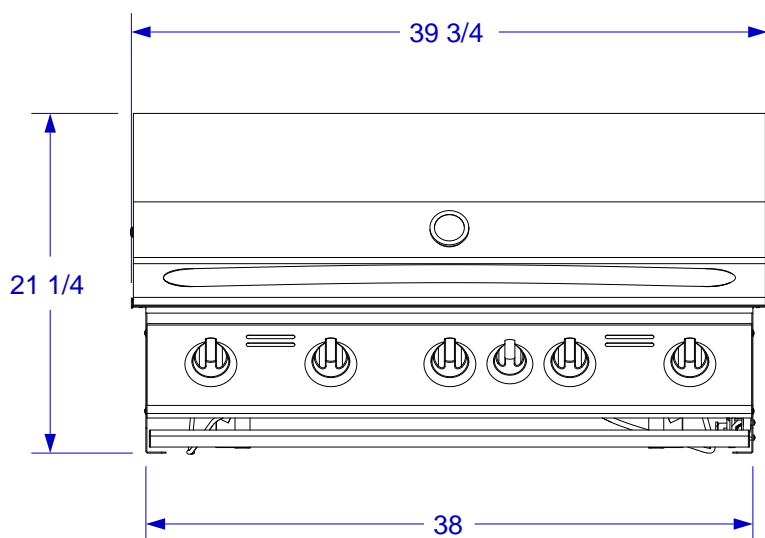


Bullet 5 BURNER GRILL SPEC SHEET

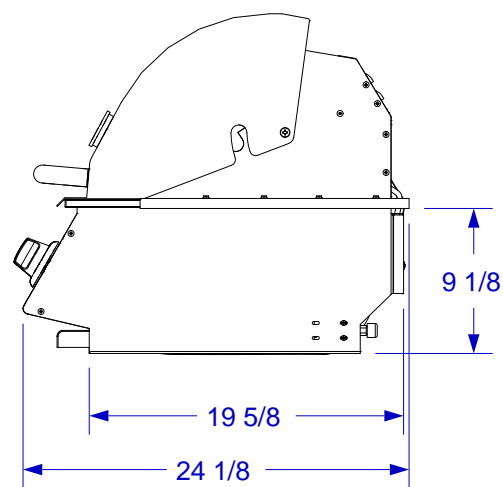
*ISLAND MUST BE CONSTRUCTED WITH NON-COMBUSTIBLE MATERIALS; REFER TO GRILL OWNERS MANUAL



ISOMETRIC VIEW



FRONT VIEW



RIGHT SIDE VIEW

NOTES:

1. CUTOUT DIMENSIONS: 38 1/2"W X 20 1/2"L X 10"D
2. SCALE: 1" = 1'-0"
3. REVISION: 02/2011