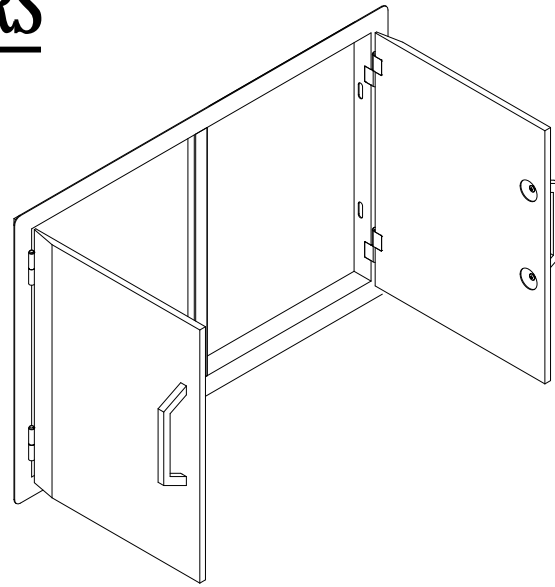
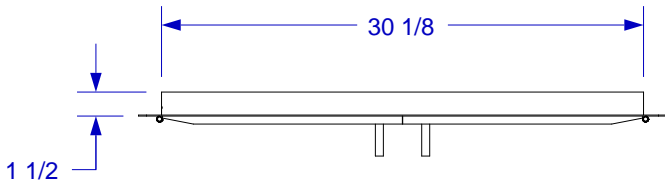


# Bullet By Bull DOUBLE DOORS

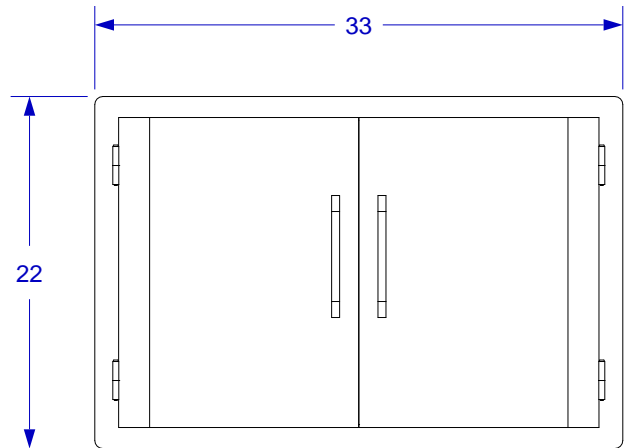
## SPEC SHEET



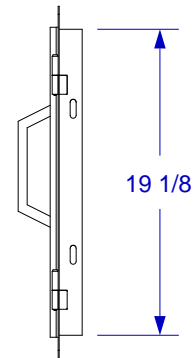
ISOMETRIC VIEW



TOP VIEW



FRONT VIEW



RIGHT SIDE VIEW

**NOTES:**

1. CUTOUT DIMENSIONS: 30 3/4" W X 19 3/4" L X 2" D
2. SCALE: 1" = 1'-0"
3. REVISION: 10/2009