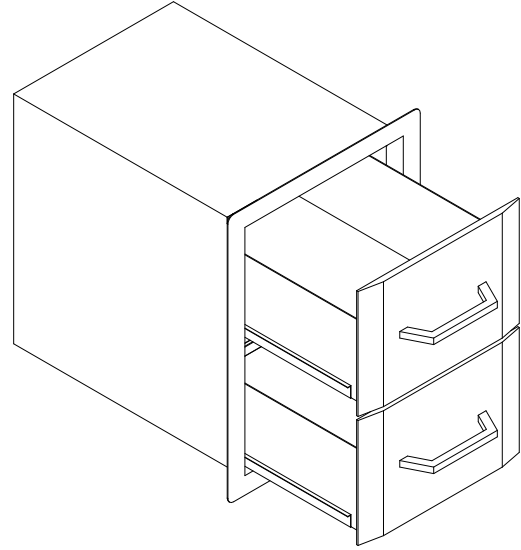
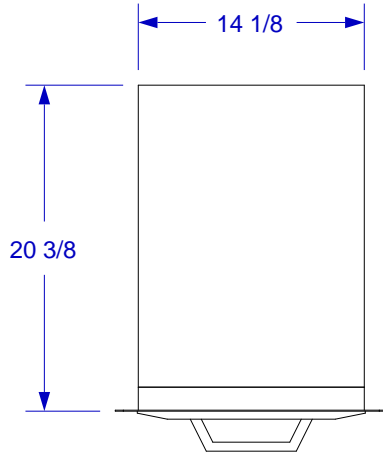


Bullet By Bull **DOUBLE DRAWERS**

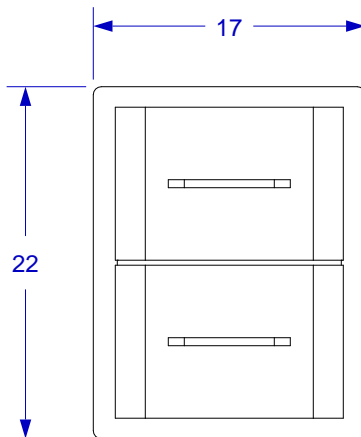
SPEC SHEET



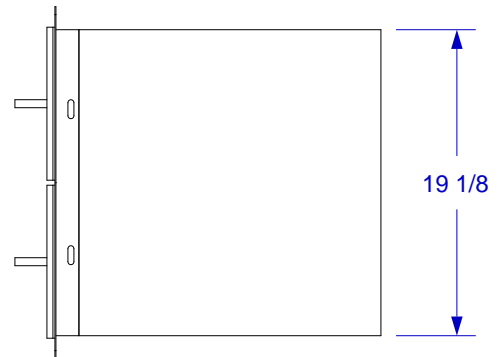
ISOMETRIC VIEW



TOP VIEW



FRONT VIEW



RIGHT SIDE VIEW

NOTES:

1. CUTOUT DIMENSIONS: 14 3/4" W X 19 1/2" L X 20 1/2" D
2. SCALE: 1" = 1'-0"
3. REVISION: 10/2009