

FIRE POTS

The perfect showcase for the Perfect Flame™. Bobé fire pots are made to be the center of attention.

Each bowl is built from heavy grade material, fully TIG welded and polished.

PRODUCT FEATURES

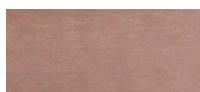
- Perfect Flame Burner
- Square or Round Shapes
- Automatic Ignition or Manual Key Valve
- Copper or Stainless Steel; Powder Coat available by special order



A



B



COPPER



STAINLESS STEEL



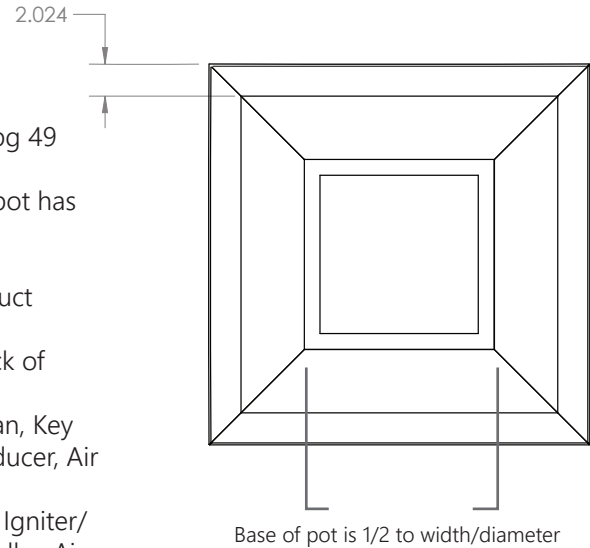
HAMMERED COPPER*

IMPORTANT: See Material Guide on page 49

FIRE POTS

SPECIFICATIONS

- Copper will naturally patina. The patina protects the metal and creates a unique color and style for every installation. For more information on patina & care see pg 49
- The bottom of all fire pots are open for plumbing / gas.
- Bottom measurement is equal to 1/2 pot width (Ex: 24" pot has 12" base)
- For gas and electrical requirements see page 51
- For other specifications and safety information see product instructions.
- Pots should be installed with drainage for rain water. Lack of drainage can flood gas lines and require service.
- Manual fire pot includes: Perfect Flame burner, Media pan, Key valve kit, Valve, Key, Flange. Street Elbow, 12" Nipple, Reducer, Air mixer (propane only), Built-in vent collar
- Auto fire pot includes: Perfect Flame burner, Media pan, Igniter/sensor, Valve box, Transformer, Regulator, Built-in vent collar, Air mixer (propane only)
- DOES NOT INCLUDE: lava rock/colored glass, gas muffler



ORDERING GUIDE

1	SELECT SIZE & OPTIONS	2	ADD "-NG" FOR NATURAL GAS	ADD "-LP" FOR PROPANE
	EXAMPLE: CFPLPA-24-XX		EXAMPLE: CFPLPA-24-NG	EXAMPLE: CFPLPA-24-LP

REF	24"W × 7"H	24"W × 12"H	28"W × 12"H	32"W × 12"H	36"W × 16"H	SHAPE	IGNITION	MATERIAL
A	CFPLPA-24-XX	CFPMA-24-XX	CFPMA-28-XX	CFPMA-32-XX	CFPA-36-XX	SQUARE	MANUAL	COPPER
A	SFPLPA-24-XX	SFPMA-24-XX	SFPMA-28-XX	SFPMA-32-XX	SFPA-36-XX	SQUARE	MANUAL	STAINLESS STEEL
A	FLPHHA-24-XX*	FPMHHA-24-XX*	FPMHHA-28-XX*	FPMHHA-32-XX*	FPHHA-36-XX*	SQUARE	MANUAL	HAMMERED COPPER*
A	---	CFPMC-24-XX	CFPMC-28-XX	CFPMC-32-XX	CFPC-36-XX	SQUARE	AUTO	COPPER
A	---	SFPMC-24-XX	SFPMC-28-XX	SFPMC-32-XX	SFPC-36-XX	SQUARE	AUTO	STAINLESS STEEL
A	---	FPMHHC-24-XX*	FPMHHC-28-XX*	FPMHHC-32-XX*	FPHHC-36-XX*	SQUARE	AUTO	HAMMERED COPPER*
B	RCFPLPA-24-XX	RCFPMA-24-XX	RCFPMA-28-XX	RCFPMA-32-XX	RCFPA-36-XX	ROUND	MANUAL	COPPER
B	RSFPLPA-24-XX	RSFPMA-24-XX	RSFPMA-28-XX	RSFPMA-32-XX	RSFPA-36-XX	ROUND	MANUAL	STAINLESS STEEL
B	RFPLPHHA-24-XX*	RFPMHHA-24-XX*	RFPMHHA-28-XX*	RFPMHHA-32-XX*	RFPHHA-36-XX*	ROUND	MANUAL	HAMMERED COPPER*
B	---	RCFPMC-24-XX	RCFPMC-28-XX	RCFPMC-32-XX	RCFPC-36-XX	ROUND	AUTO	COPPER
B	---	RSFPMC-24-XX	RSFPMC-28-XX	RSFPMC-32-XX	RSFPC-36-XX	ROUND	AUTO	STAINLESS STEEL
B	---	RFPMHHC-24-XX*	RFPMHHC-28-XX*	RFPMHHC-32-XX*	RFPHHC-36-XX*	ROUND	AUTO	HAMMERED COPPER*

* Non-Standard Option. May have longer order lead times. Contact for details.

SPECIAL ORDER OPTIONS	
POWDER COAT COLOR FINISHES	✓
CUSTOM SIZE	✓
Special orders will include customizing fee. Lead times may vary. More info PAGE 48	

All fire units must be ventilated. Vent collars included on all fire pots. A cover is recommended for winter or periods of non-use. Stainless steel not recommended for salt water environments. Copper will naturally patina.