



# Hayward Commercial Series

## UNIVERSAL pH & ORP SENSORS

Dependable and affordable commercial grade sensors for use with virtually all automated chemistry controllers



The Hayward Series of Universal Commercial grade sensors are the next generation in sensor technology. They incorporate a Poly-Pro™ solid polymer reference technology matched with a patented Porous Teflon® fluid junction for unparalleled performance and longevity. Our durable injection molded ½" ABS body provides four times the storage capacity of most standard electrodes while eliminating the need for gland or compression fittings.

The performance of a water chemistry controller is only as good as the quality of the signals generated by the sensors. These innovative sensors from Hayward Commercial provide the fast response and stable signal required for ultra high resolution measurement and control.

- Compatible with virtually all chemical controllers as a system upgrade
- Shielded BNC connectors for chemical resistance
- Low maintenance Porous Teflon® fluid junction
- Optional Gold Tip ORP sensor perfect for saline pools
- Superior protection against infusion and diffusion
- Poly-Pro™ solid polymer technology

# Hayward Commercial Series

## UNIVERSAL pH & ORP SENSORS

### FEATURES

- Large ultra high purity platinum ORP sensing element
- Porous Teflon junction reduces maintenance by providing a non-stick surface which resists fouling and is easy to clean



- Injection molded ABS body is highly chemical-resistant
- High capacity molded ABS body houses a large volume of Poly-Pro reference material for extended service life



Sensor storage caps for off season storage color coded, BNC covers protect instrument connections



BNC sensor connectors for direct wiring into controllers without BNC connections

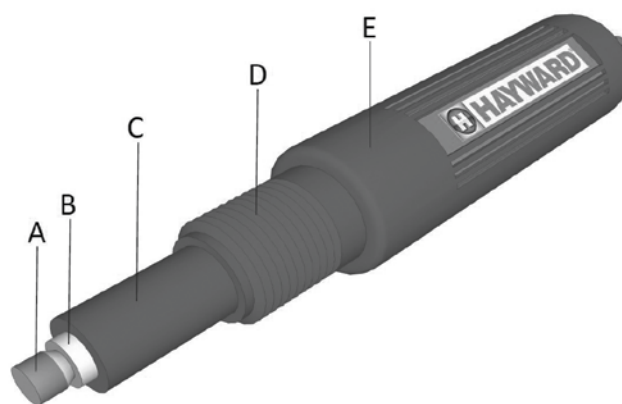


Sensor adaptors for compatibility with flow cells positioning sensors at 45° angle to each other

### TECHNICAL SPECIFICATIONS

Part Number	HCX015	HCX025	HCX025-AU
Description	pH Sensor	ORP Sensor	Gold ORP Sensor
Carton Quantity	1	1	1
Carton Weight (lbs)	1	1	1
Enclosure	Injection Molded ABS Body	Injection Molded ABS Body	Injection Molded ABS Body
pH Sensing Element Type	Glass	Platinum	Gold
Operating Range	pH 0.0-14.0	ORP 0-995 mV	ORP 0-995 mV
Cable	24" Specialty low noise cable with BNC covers	24" Specialty low noise cable with BNC covers	24" Specialty low noise cable with BNC covers
Connection Type	BNC	BNC	BNC
Warranty	Sensors 1 year comprehensive	Sensors 1 year comprehensive	Sensors 1 year comprehensive

### DIMENSIONS



Dimensions (Diameter)

A	B	C	D	E
1/4"	5/16"	1/2"	3/4"	15/16"



Hayward is a registered trademark of Hayward Industries, Inc. © 2016 Hayward Industries, Inc.

Contact your dedicated Hayward Commercial products team with questions: 1-800-657-2287 • 10101 Molecular Drive #200 • Rockville, MD 20850  
Visit us at: [haywardcommercialpool.com](http://haywardcommercialpool.com)