

ZARSTAR™ DRAIN/VACUUM PRE-FILTER WITH AUTO FILL, LARGE BASKET, FILTER BAG, ADJUSTABLE COLLAR AND LID



High capacity and drought-tolerant



FEATURES

Can be installed alone or with ZarStar Skimmer p/n SKZ101xxx

Attaches to vacuum port line

Large 19½" x 6" self-contained basket and 300-micron filter bag allow debris from suction side vacuum to be pre-filtered before flowing to the pump and filter baskets

Improves efficiency of the pump by minimizing debris collection in the pump's filter basket

Adjustable collar and lid G154 UV tested

Optional custom name/logo engraved on the lid (requires minimum 100 piece lid order)

Super strong engineered polymer upper housing

Extra heavy duty PVC lower unit (no transitional glue required)

2½" outside slip and 2" inside slip ports

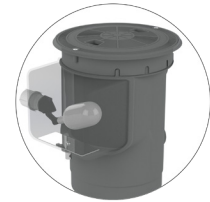
2" threads inside for pressure testing

Built-in overflow or fill line port

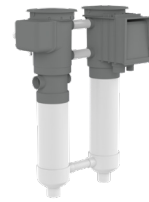
1 per case

U.S. and foreign patents pending

NEW Now includes autofill and stainless steel bonding plate



Autofill valve is made of high-strength engineered resin. The float is injection-molded and the thread is pre-molded.



Optional Installation with Drain/Vacuum Pre-Filter

Part # SKZ111xxx

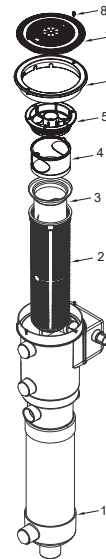
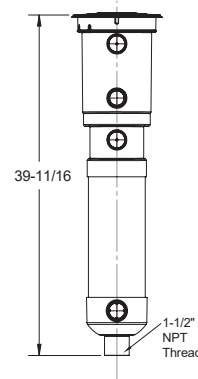
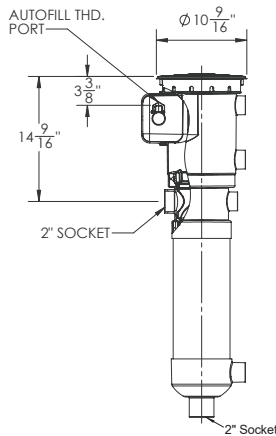
STANDARD COLORS

- SKZ111101 – White
- SKZ111105 – Dark Gray

Also available ZarStar Wrench for Vacuum Thread Adapter (sold separately) p/n SKZ226

Snap-in Round/Square Lid and Collar (sold separately) p/n SK65xxx

Square Lid and Collar (sold separately) p/n SK64xxx



1. Leaf Catcher Body
2. Basket
3. Filter Bag
4. Leaf Catcher Basket Adapter
5. Vacuum Thread Adapter
6. Adjustable Round Skimmer Collar
7. Round Skimmer Lid
8. 10 x 3/4" Flat Head Phillips Screw, 316 SS, Qty 2

ZARSTAR™ SKIMMER WITH LARGE BASKET, FILTER BAG, ADJUSTABLE COLLAR, LID AND OZONATOR PORTS



High capacity and drought-tolerant



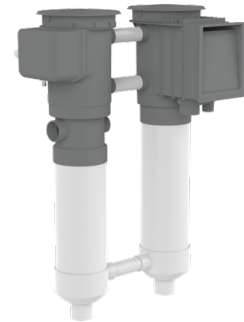
FEATURES

- Adjustable collar with 3" extension
- New weir clip lock secures the clips in the weir door
- Self-contained gunite grip, water stop on the faceplate to prevent water leaks
- Large self-contained basket with lock-in feature (will not float)
- Underwater dampers on the faceplate for noise reduction on weir plate – especially on windy days
- Super strong engineered polymer upper housing
- Extra heavy duty PVC lower unit (no transitional glue required)
- 2½" outside slip and 2" inside slip (outside skimmer)
- 2" threads for pressure testing (inside skimmer)
- Built-in overflow or fill line knock out
- Upper housing has pre-cut rebar cutouts with pre-drilled holes for tie wire
- Skimmer Lid and Collar G154 UV tested
- NSF 50 approved for commercial use, 25 GPM min, 55 GPM max – approved for residential use up to 100 GPM
- Optional custom name/logo engraved on the lid (requires minimum 500 piece lid order)
- 1 per case
- U.S. Patent 9260878

Two additional lid options available (sold separately):
square or snap-in round/square



Part # SKZ101xxx



Optional Installation with
Drain/Vacuum Pre-Filter

STANDARD COLORS

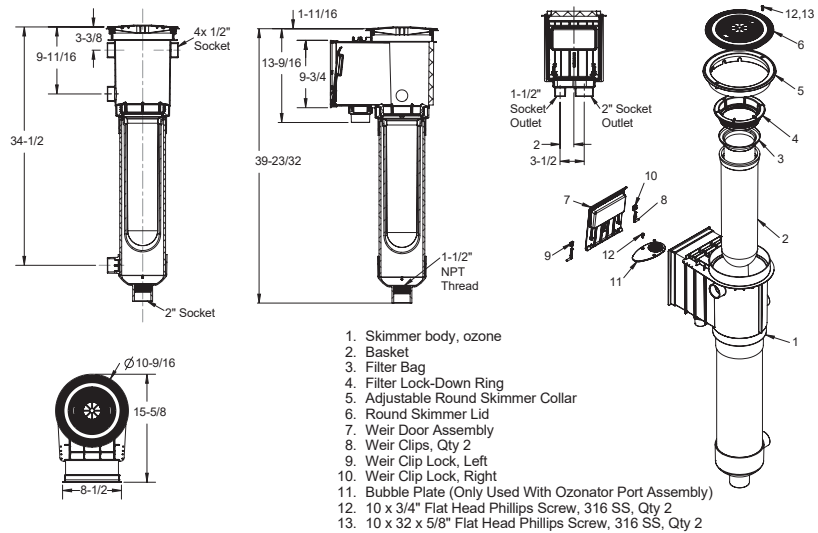
- SKZ101101 – White
- SKZ101105 – Dark Gray

Also available without ozonator ports
p/n SKZ102xxx

Also available ZarStar Wrench for Filter
Lock-Down Ring (sold separately) p/n SKZ226

Snap-in Round/Square Lid and Collar
(sold separately) p/n SK65xxx

Square Lid and Collar (sold separately)
p/n SK64xxx

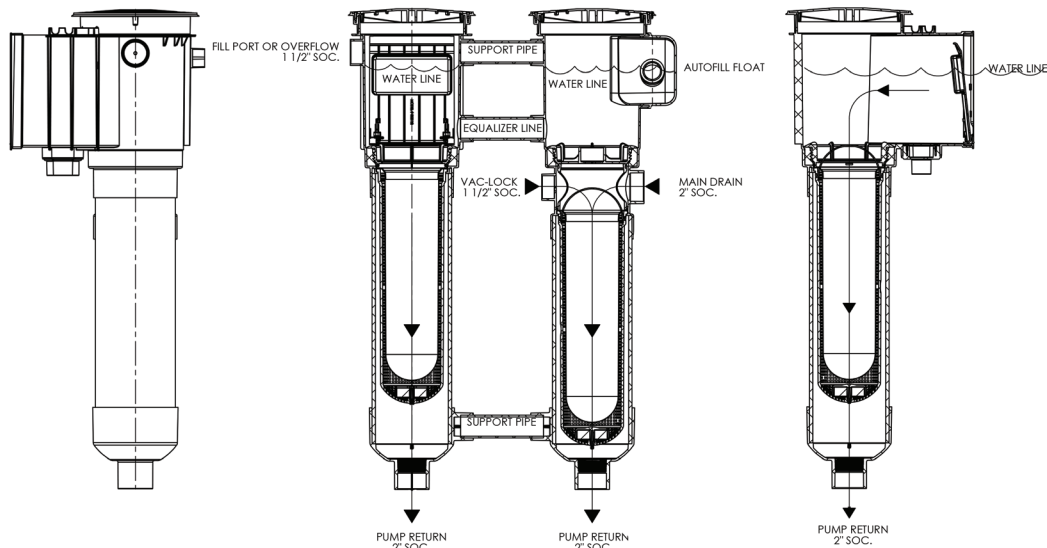


P 877-768-2717 F 877-276-POOL Outside the US: P +1-949-336-1940 F +1-949-336-1940

info@aquastarpoolproducts.com www.aquastarpoolproducts.com

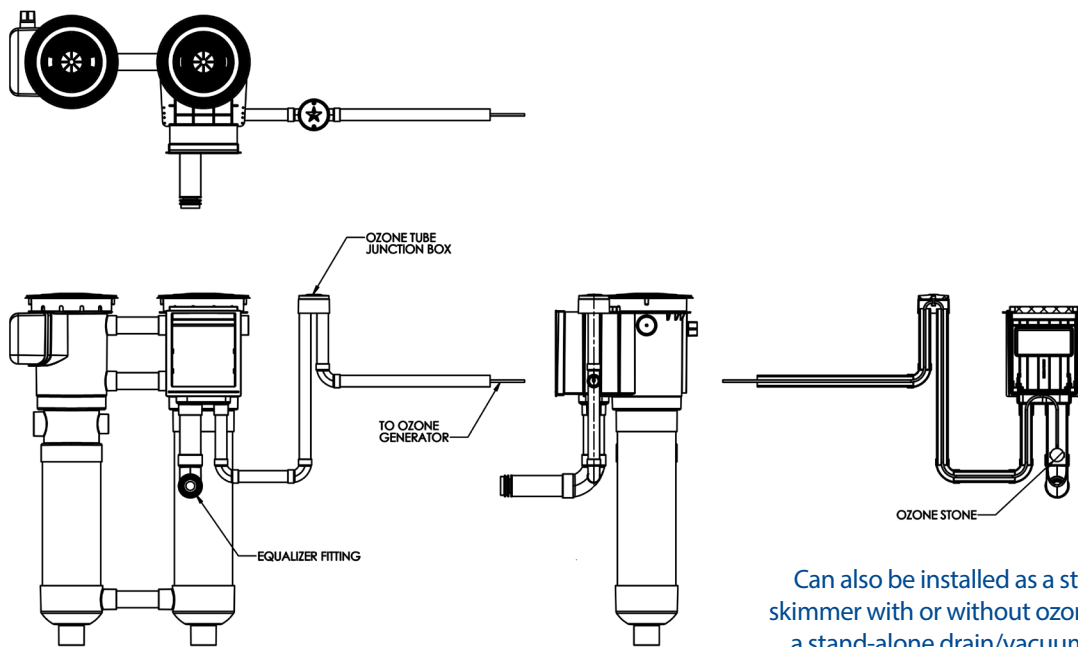
ZARSTAR™ INSTALLATION OPTIONS

Zarstar Skimmer and Drain/Vacuum Pre-Filter Installation



Can also be installed as a stand-alone skimmer or drain/vacuum pre-filter

Zarstar Skimmer and Drain/Vacuum Pre-Filter Installation



Can also be installed as a stand-alone skimmer with or without ozonator or as a stand-alone drain/vacuum pre-filter

ZARSTAR™ SKIMMER ACCESSORIES

STANDARD COLORS  101  105

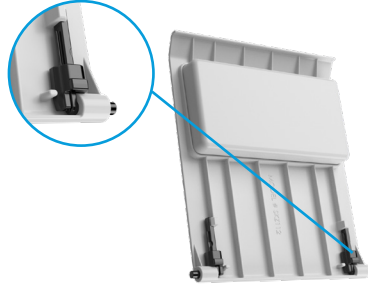
Weir Plate Assembly for ZarStar™ Skimmers

FEATURES

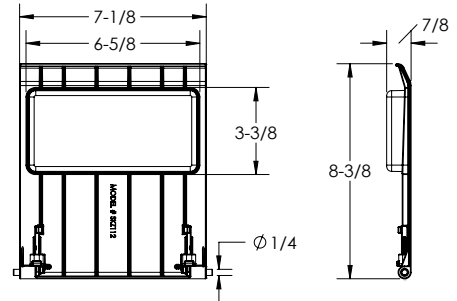
Weir plate noise is reduced with underwater tabs in the front face of skimmers

Weir clip lock secures the clips in the weir door

12 per case



Part # SKZ112xxx



Large Basket for ZarStar™ Skimmer and Pre-Filter

FEATURES

Large 19½" size basket filters more debris than standard size skimmer baskets

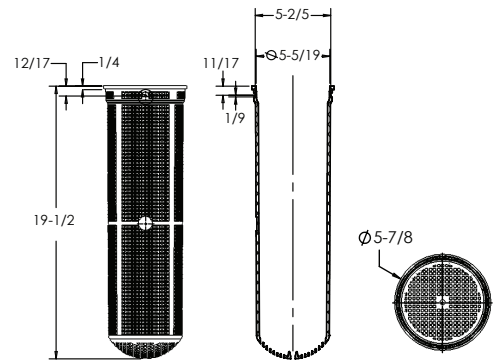
Allows debris to be pre-filtered before entering the pump and filter baskets

White only

9 per case



Part # SKZ214



Filter Bag for ZarStar™ Skimmer and Pre-Filter

FEATURES

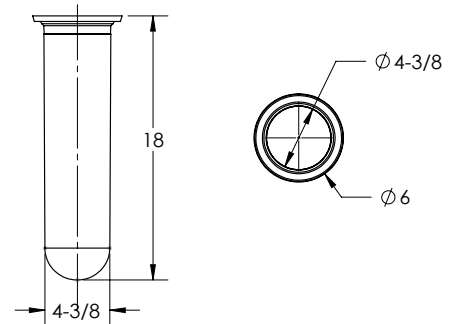
300-micron filter bag allows debris to be pre-filtered before entering the pump and filter baskets

White only

24 per case



Part # SKZ216



P 877-768-2717 F 877-276-POOL Outside the US: P +1-949-336-1940 F +1-949-336-1940
 info@aquastarpoolproducts.com www.aquastarpoolproducts.com

ZARSTAR™ SKIMMER AND AUTOFILL ACCESSORIES

STANDARD COLORS  101  105

Basket Adapter for ZarStar™ Pre-Filter

FEATURES

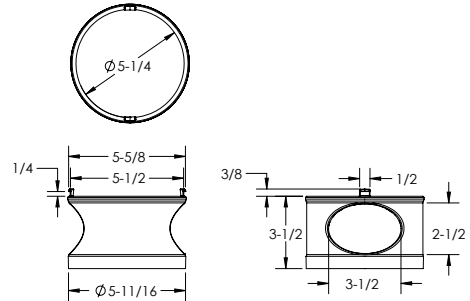
Attaches pre-filter basket to pre-filter body

White only

18 per case



Part # SKZ217



Filter Lock-Down Ring for ZarStar™ Skimmer

FEATURES

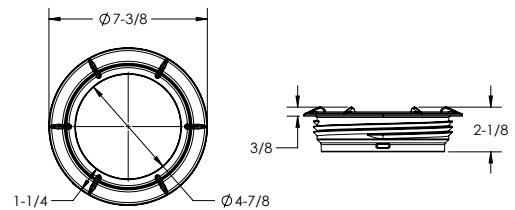
Locks down filter bag and basket into the skimmer body

White only

24 per case



Part # SKZ218



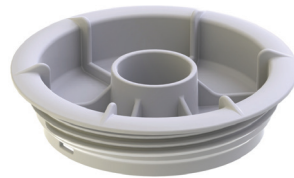
Vacuum Thread Adapter for ZarStar™ Skimmer and Pre-Filter

FEATURES

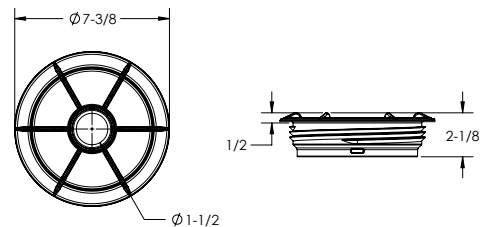
Enables suction side vacuum to be attached to skimmer or pre-filter instead of using a wall vacuum port

White only

24 per case



Part # SKZ219



FillStar™ Float Valve

FEATURES

Valve is made of high-strength engineered resin

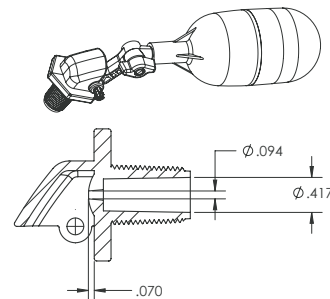
The float is injection-molded and the thread is pre-molded

Float thread is 1/2" MPT

25 per case



Part # AFBV



P 877-768-2717 F 877-276-POOL Outside the US: P +1-949-336-1940 F +1-949-336-1940
 info@aquastarpoolproducts.com www.aquastarpoolproducts.com