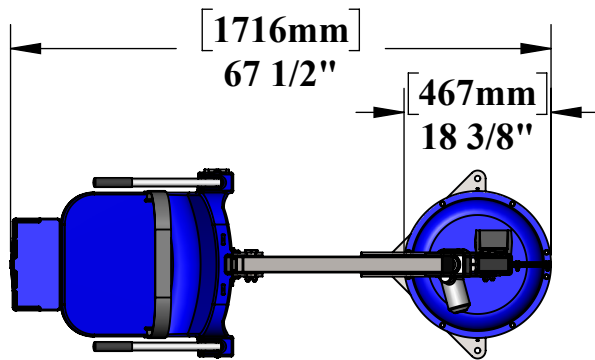
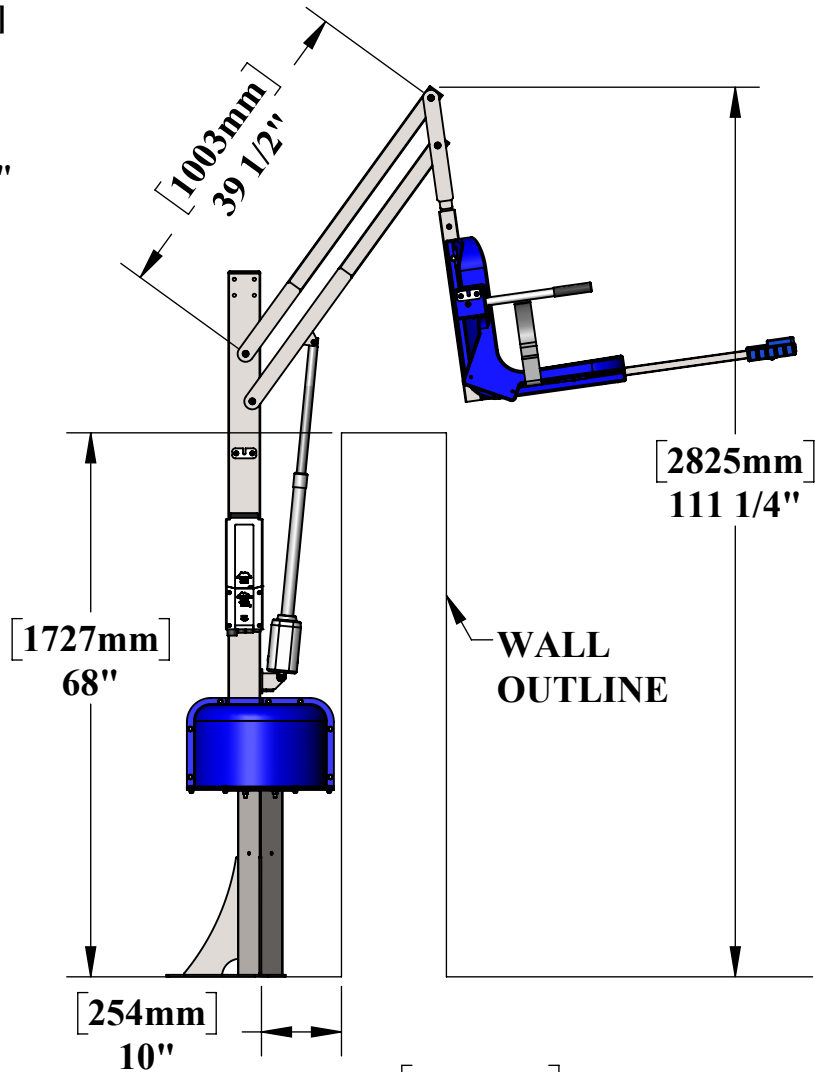
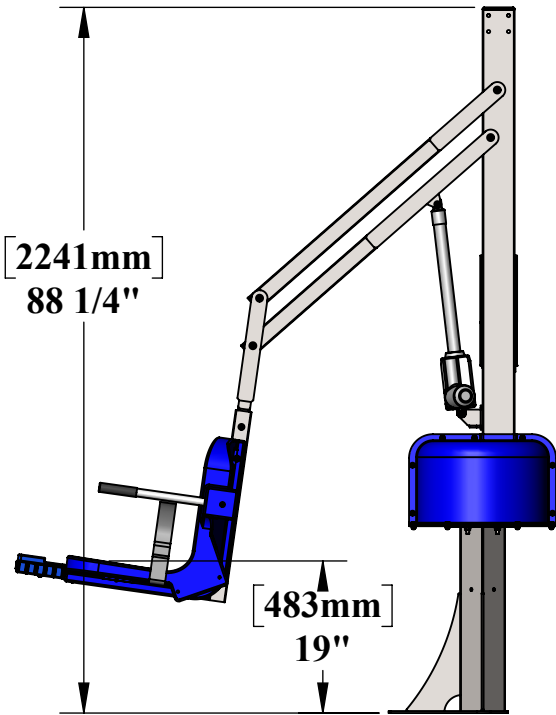


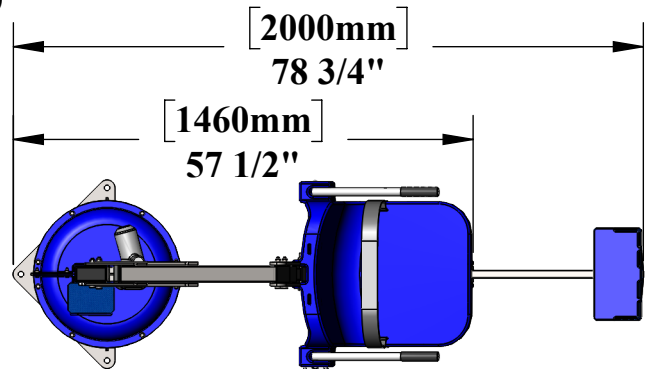
# SPA LIFT ELITE

U.S. PATENT NO. D507,769 S

PRODUCT WEIGHT: 185lbs [84kg]  
 MAX WEIGHT CAPACITY: 300lbs [136kg]  
 MIN ANCHOR SETBACK: 10"  
 MIN WALL HEIGHT: 21"  
 WALL THICKNESS @ MIN HEIGHT: 18"  
 MAX WALL HEIGHT: 68"  
 WALL THICKNESS @ MAX HEIGHT: 15"  
 VERTICAL TRAVEL DISTANCE: 59"



LOADING POSITION



ABOVE WALL



9889 GARRYMORE LANE  
 MISSOULA, MT 59808  
 (406) 549-0769  
 FAX (406) 549-2602

NOTE:  
 \*SPECIFICATIONS ARE SUBJECT TO CHANGE WITHOUT NOTICE

PRODUCT: SPA LIFT ELITE	
PART #: F-006SLE	
SCALE: 1:24	DATE: 8/21/2019
DRAWN BY: KR	REVISION: 04