



66" SENTRY LIFEGUARD CHAIR

ASSEMBLY AND INSTALLATION INSTRUCTIONS



SLGC-66

SRS AUSTRALIA, PTY LTD

12 Enterprise St
Richlands QLD 4077
Australia

Phone 07 3812 2283 • Fax 07 3812 1187
www.srsmith.com/au



SLGC-66-S

S.R. SMITH, LLC

CORPORATE HEADQUARTERS
P.O. Box 400 • 1017 S.W. Berg Parkway
Canby, Oregon 97013
USA

Phone (503) 266 2231 • Fax (503) 266 4334
www.srsmith.com

CONTENTS

Introduction	3
Installed Lifeguard Chair Structural & Installation Checklist.....	3
Maintenance Instructions.....	3
Assembled Lifeguard Chair Layout.....	4
SLGC-66.....	4
SLGC-66-S	5
Parts List	6
Box A Part Images	7
Box B Part Images.....	8
Assembly Instructions.....	9
Tools Required	9
1. Assemble Seat Bottom	9
2. Assemble Seat Back.....	10
3. Assemble Footrests.....	11
4. Assemble Top Step.....	13
5. Assemble Left Legs	14
6. Assemble Leg Spacers.....	15
7. Attach Right Legs	16
8. Attach Bases and Handholds.....	17
9. Attach Armrests, Cupholder, Umbrella Mount, and Cross-Bracing.....	18
Installing the 66” Sentry Lifeguard Chair	22
Concrete Wedge Anchor Mounting Instructions	22
Wheel-Away Kit Instructions	22
Sentry Lifeguard Chair Center Support Installation.....	23
Tools Required:	23
Assembly Steps	23

INTRODUCTION



DANGER – Failure to follow these warnings and instructions may result in serious injury. Proper assembly, installation, use, and supervision are essential for proper operation and to reduce the risk of serious injury.

Check inside both boxes and packaging materials for parts. Before beginning assembly, read all instructions and identify parts using the parts list. Chair parts are labeled with an Item #. It is critical that all parts be carefully inspected by the installer prior to installation to ensure that no cracking or warping occurred in transit and that a damaged part is not used. Proper installation cannot be overstressed, improper installation voids S.R. Smith's warranty and may affect the safety of the user.

INSTALLED LIFEGUARD CHAIR STRUCTURAL & INSTALLATION CHECKLIST

- Inspect material for visible cracks or damage.
- Inspect hardware for missing or damaged parts.
- Inspect all fasteners to make sure they are fully tightened.
- Inspect the Lifeguard Chair for rigidity (and attachment if using anchors).

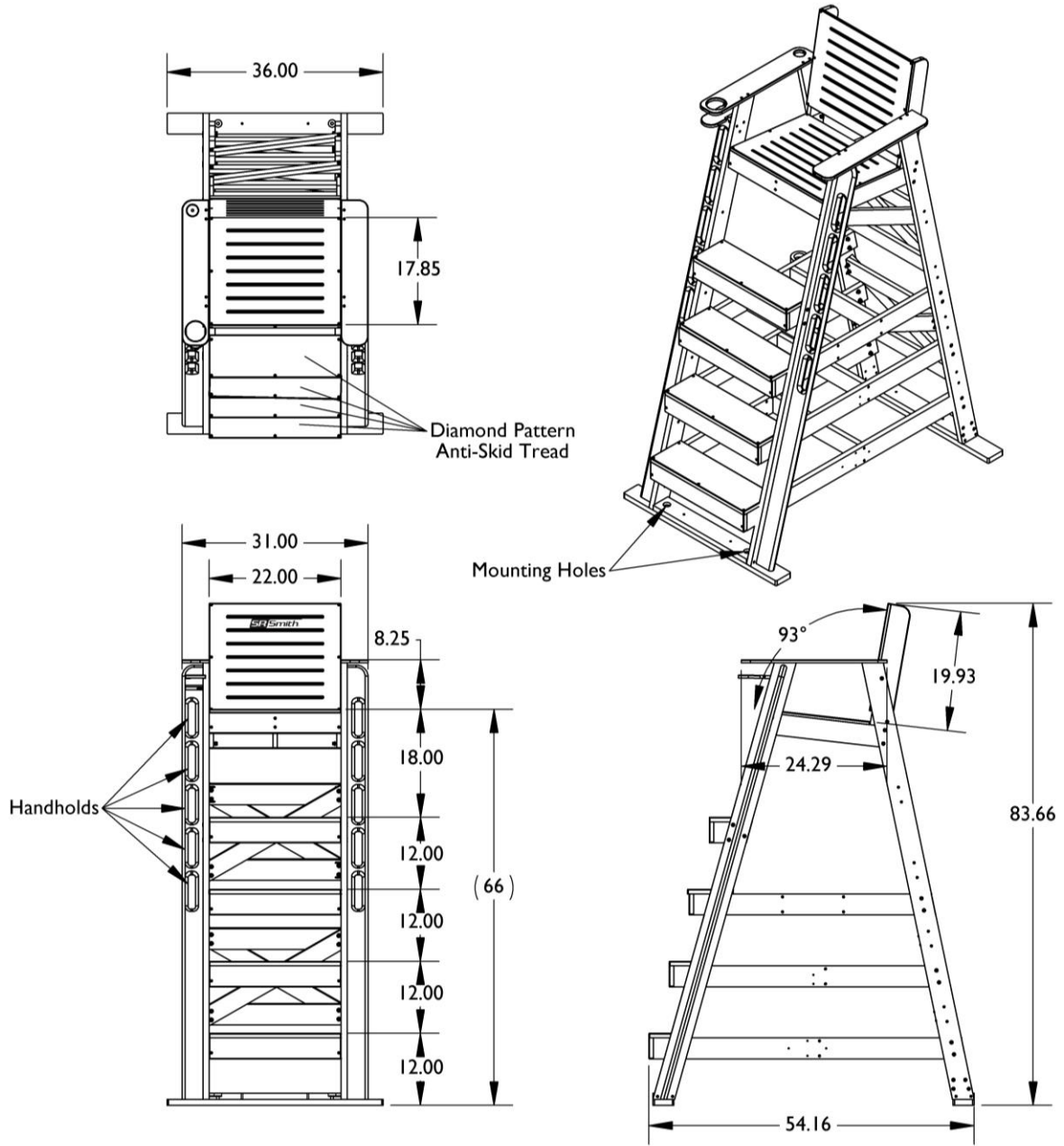
MAINTENANCE INSTRUCTIONS

- When hosing down the deck, hose your Lifeguard Chair to wash away any dust, dirt or other debris which may have accumulated. Wipe clean.
- To clean everyday dirt and stains, use a cleaner such as Soft Scrub® and a nylon scrubby or stiff nylon brush. Scrub lightly; excess force can mar the finish.
- Persistent stains will usually go away if you soak the area with bleach. Do not use 100% chlorine used to treat swimming pools and do not use a pressure washer.
- Do not expose stainless steel hardware to chlorine.
- Be sure that all connections are secure. Tighten hardware if necessary and check for corroded fasteners. Inspect for visible cracks or other damage.
- Inspect all parts for evidence of shear, bending yield, or fatigue. Yield is evidenced by discoloration or fine cracking of the surface.

 WARNING	
<ul style="list-style-type: none">• NO JUMPING OR DIVING FROM CHAIR• CHAIR MUST BE INSTALLED ON A LEVEL SURFACE• MAXIMUM WEIGHT LIMIT 250 LBS.• ONLY ONE PERSON ALLOWED ON THE CHAIR AT A TIME• CHAIR MUST BE PROPERLY ANCHORED IF USING AN UMBRELLA	
06-151	DEC16

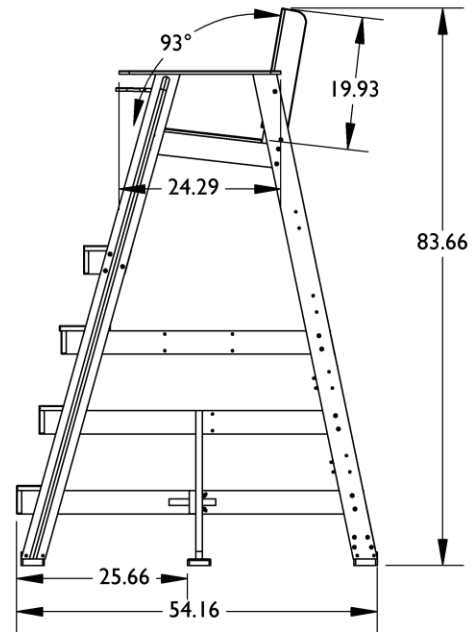
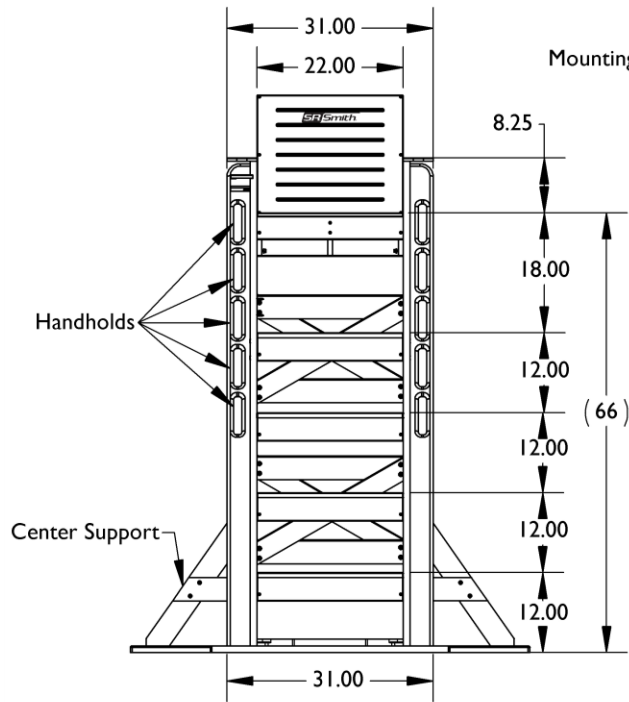
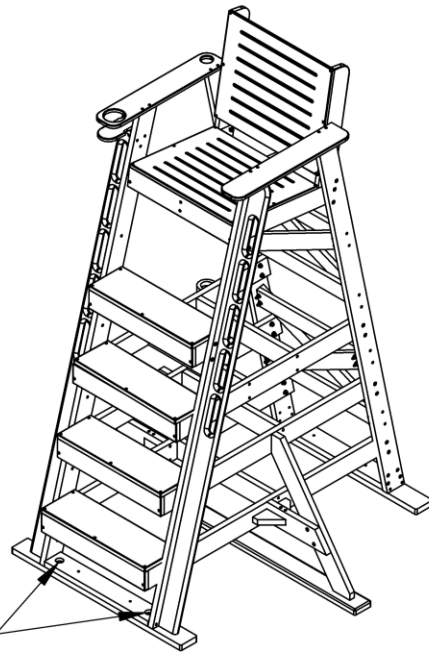
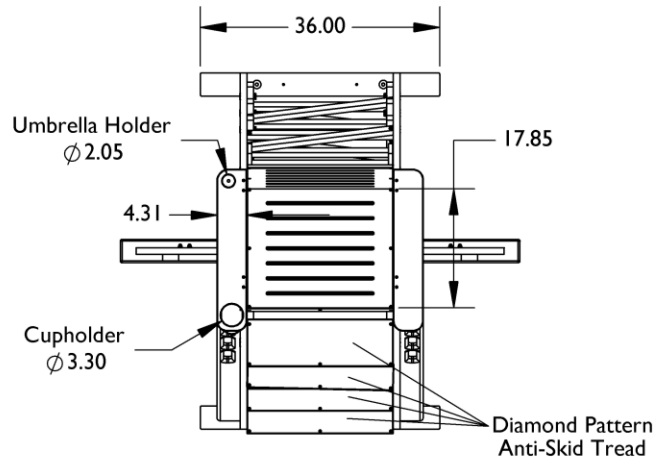
ASSEMBLED LIFEGUARD CHAIR LAYOUT

SLGC-66



All units are in inches. Layout is not to scale.

SLGC-66-S



All units are in inches. Layout is not to scale.

PARTS LIST

Check inside both boxes and packaging materials for parts. Before beginning assembly, read all instructions and identify parts using the parts list below and on the next two pages. All chair parts are labeled with an Item #. It is critical that all parts be carefully inspected by the installer prior to installation to ensure that no cracking or warping occurred in transit and that a damaged part is not used.

Item #	Part #	Description	Qty.
1	03-500	FOOTREST & STEP, TOP	2
2	03-501	SEAT & BACK PLATE	2
3	03-502	SEAT SUPPORT, SIDE	2
4	03-503	SEAT SUPPORT, REAR	1
5	03-504	SEAT SUPPORT, CENTER	1
6	03-505	SEAT SUPPORT, FRONT	1
7	03-506	BACK SUPPORT, RIGHT	1
8	03-507	BACK SUPPORT, LEFT	1
17	03-516	FOOTREST, FRONT	4
23	03-522	66" STEP, SIDE	2
24	03-523	66" CROSSBRACE, STRAIGHT	4
25	03-524A	66" CROSSBRACE A, ANGLED	2
26	03-524B	66" CROSSBRACE B, ANGLED	2
27	03-525	CUP HOLDER	1
28	03-526	UMBRELLA MOUNT	1
31	03-529	ARM REST, LEFT	1
32	03-530	ARM REST, RIGHT	1
40	03-540	66" FRONT LEG, RIGHT	1
41	03-541	66" FRONT LEG, LEFT	1
42	03-542	66" REAR LEG, RIGHT	1
43	03-543	66" REAR LEG, LEFT	1
44	03-544	66" 3 RD STEP FOOTREST SIDE, RIGHT	1
45	03-545	66" 3 RD STEP FOOTREST SIDE, LEFT	1
46	03-546	66" 2 ND STEP FOOTREST SIDE, RIGHT	1
47	03-547	66" 2 ND STEP FOOTREST SIDE, LEFT	1
48	03-548	66" 1 ST STEP FOOTREST SIDE, RIGHT	1
49	03-549	66" 1 ST STEP FOOTREST SIDE, LEFT	1
50	03-550	66" CROSSBRACE SUPPORT	6
51	03-551	66" RIGHT HANDHOLD	1
52	03-552	66" LEFT HANDHOLD	1
53	03-553	66" LEG SPACER	2
54	03-554	66" BASE, FRONT	1
55	03-555	66" BASE, BACK	1

Hardware Kit (S.R. Smith Part Number 13-566)

34	05-33-121	#8 X 2" SCREW, #2 SQUARE DRIVE, 316SS	130
35	05-33-123	1/4-20 NYLON-INSERT LOCKNUT, 316SS	58
36	05-33-124	1/4 FLAT WASHER, 316SS	58
37	05-33-125	1/4-20 X 2.25" FLAT HEAD BOLT	58
38	05-33-126	1/4-20 X 1.75" PLASTIC ROSETTE HEAD THUMB SCREW	1

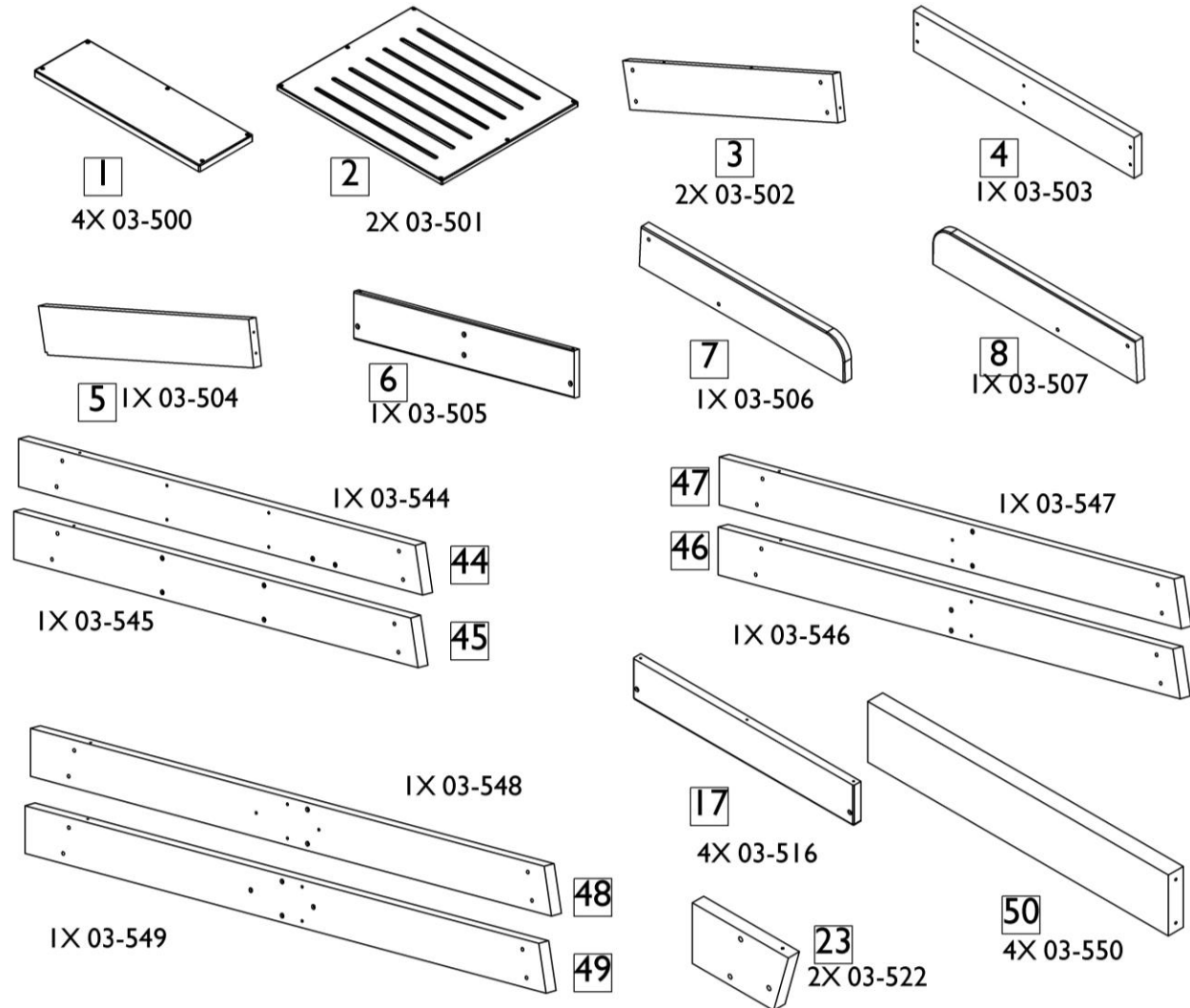
Accessories (Sold Separately)

13-503	42" Wheel Kit (kit must be purchased separately, not shown)	1
13-504	Sentry Life Ring Hook Kit	1

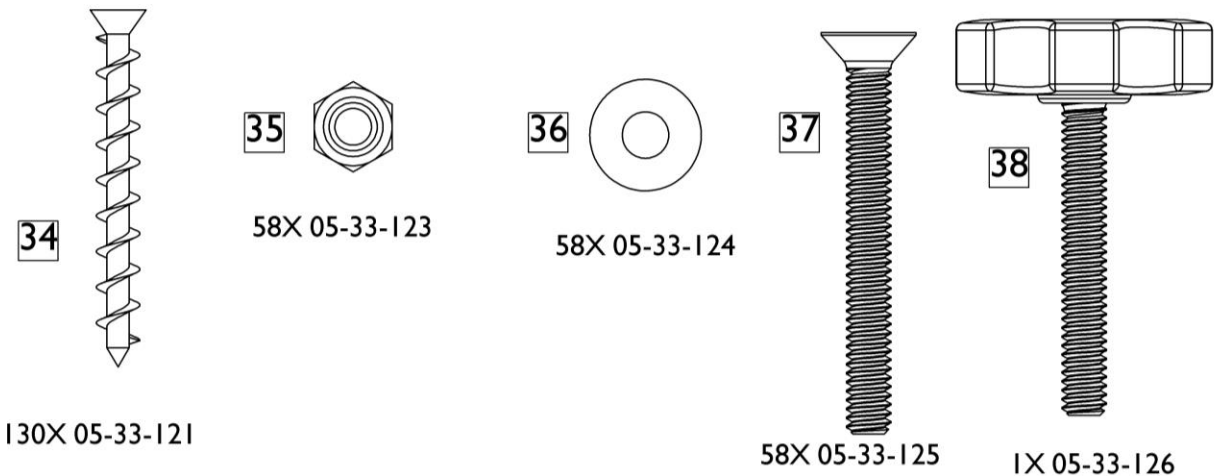
Visit srsmith.com for hardware kit and replacement part information.

BOX I PART IMAGES

Box I includes the below, used for Assembly Steps 1 through 4. Not to scale unless otherwise noted.

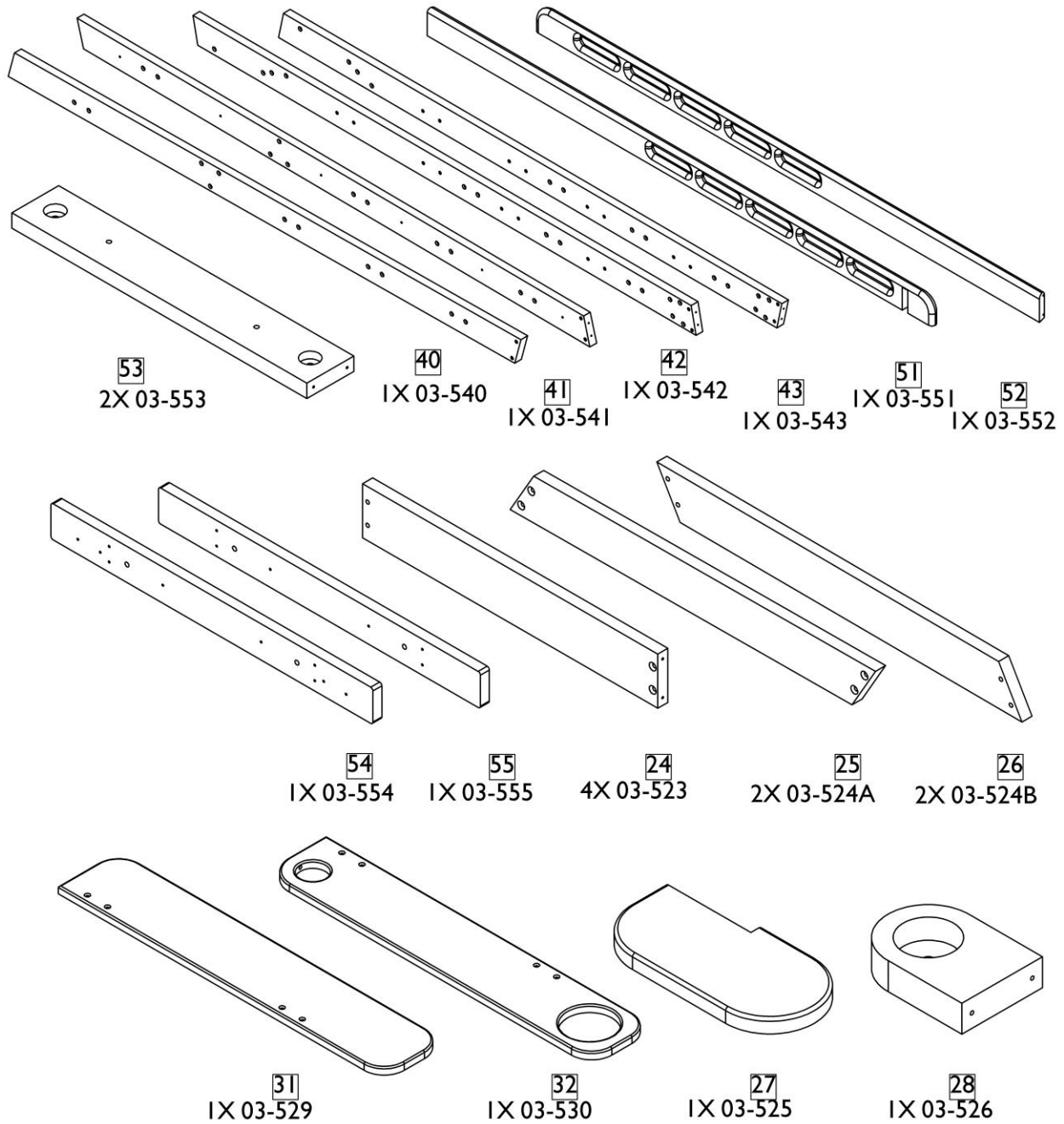


HARDWARE KIT 13-506 CONTAINS THE HARDWARE BELOW. 1:1 SCALE:



BOX 2 PART IMAGES

Box 2 includes the parts below. These parts are used for Assembly Steps 5 to the finished chair.



ASSEMBLY INSTRUCTIONS

TOOLS REQUIRED

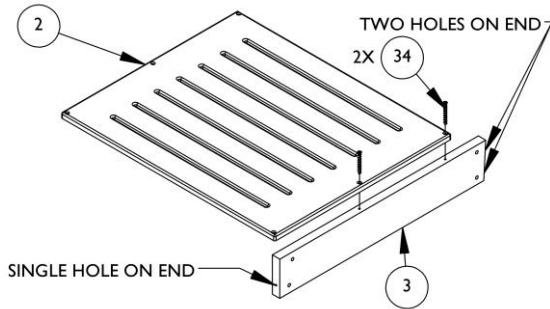
- #2 Square Drive Bit
- 5/32" Allen Wrench
- 7/16" Ratchet or Wrench

QUALITY

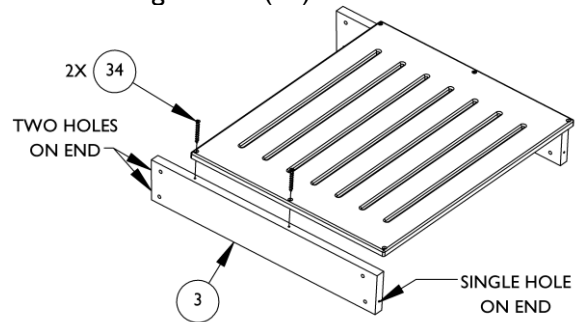
Do not use power tools when assembling the lifeguard chair. Driving screws (34) too quickly may break them.

I. ASSEMBLE SEAT BOTTOM

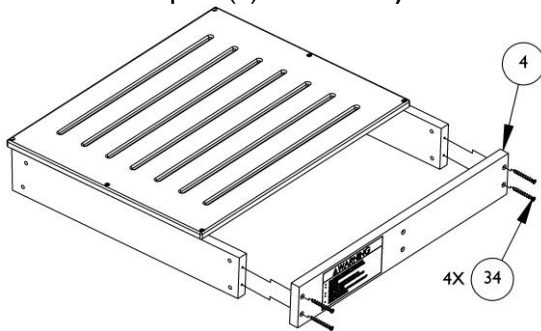
IA. Attach part (2) without S.R. Smith decal to part (3) as shown using screws (34).



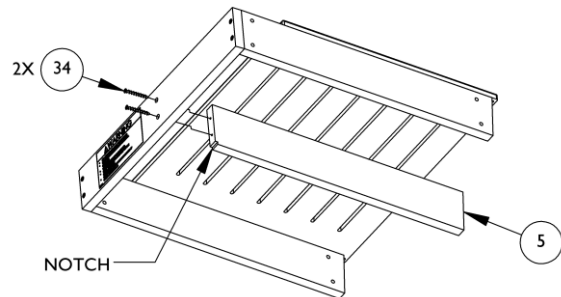
IB. Attach another part (3) to assembly using screws (34).



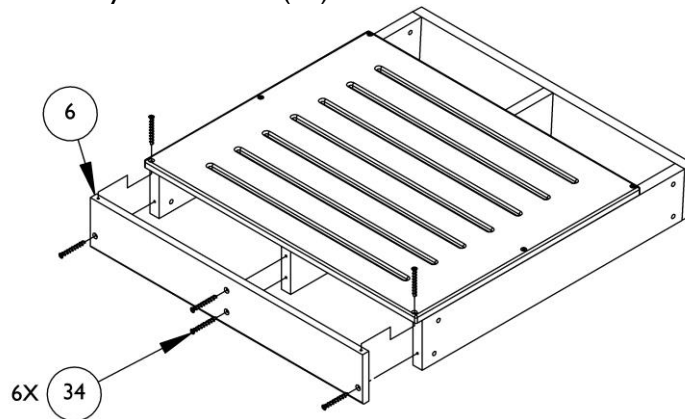
IC. Attach part (4) to assembly with screws (34).



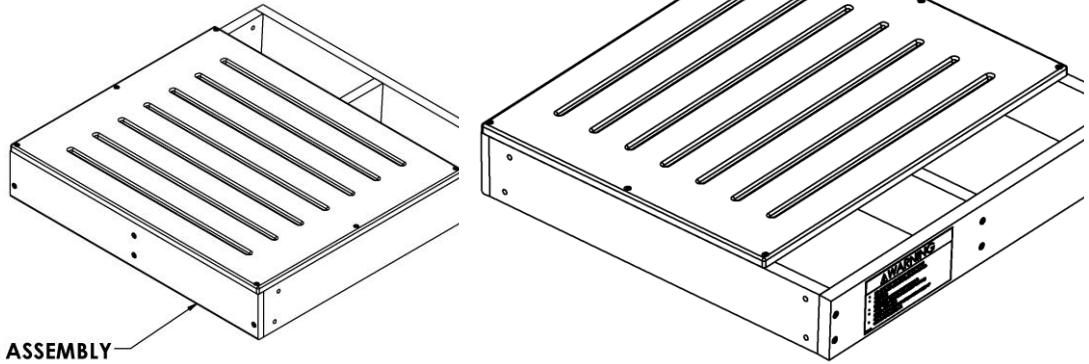
ID. Attach part (5) with notch in direction shown to assembly using screws (34).



IE. Attach part (6) to assembly with screws (34).

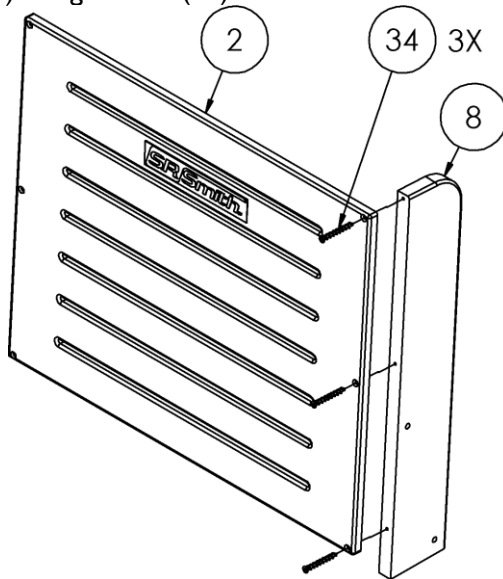


IF. Finished Seat Bottom should look like shown.

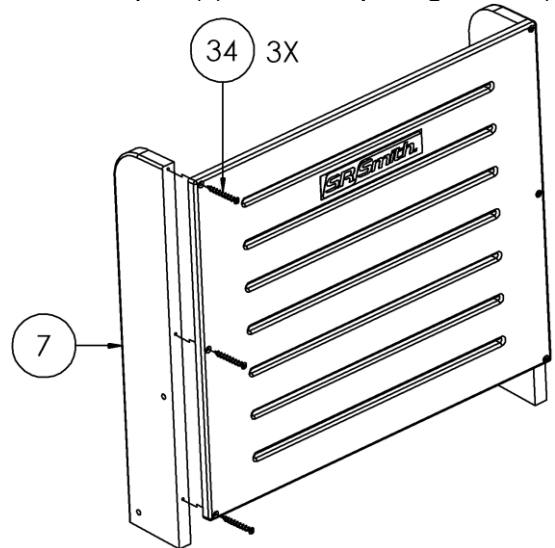


2. ASSEMBLE SEAT BACK

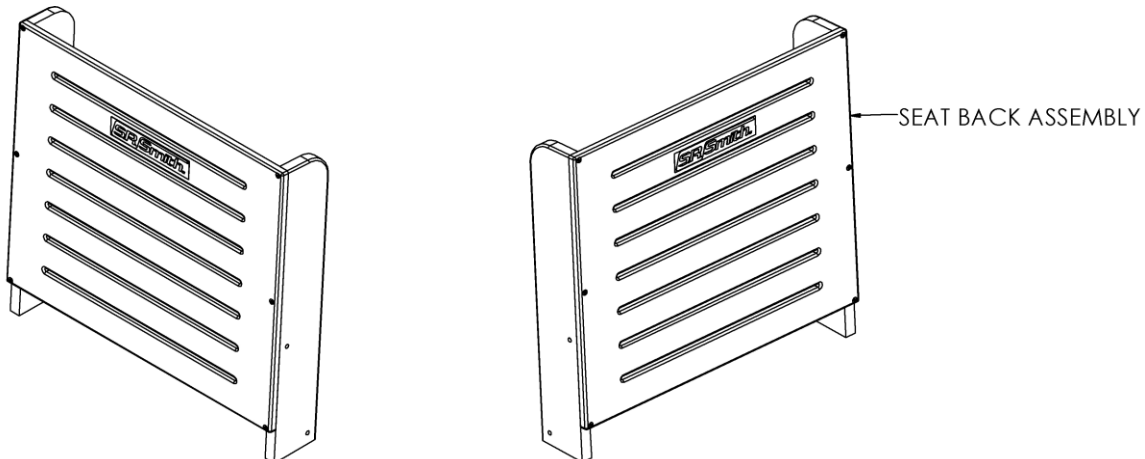
2A. Attach part (2) with S.R. Smith decal to part (8) using screws (34).



2B. Attach part (7) to assembly using screws (34).

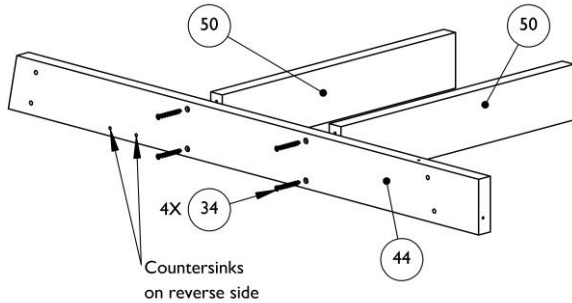


2C. Seat Back Assembly should look like the pictures below when finished.

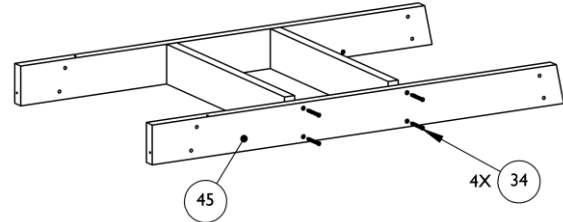


3. ASSEMBLE FOOTRESTS

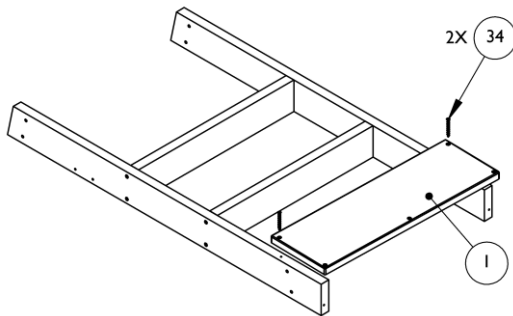
3A. First, assemble the 3rd Step Subassembly. Attach 2x part (50) to part (44) using screws (34).



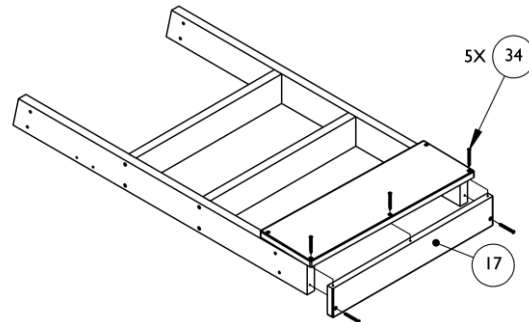
3B. Attach part (45) to 2x part (50) using screws (34).



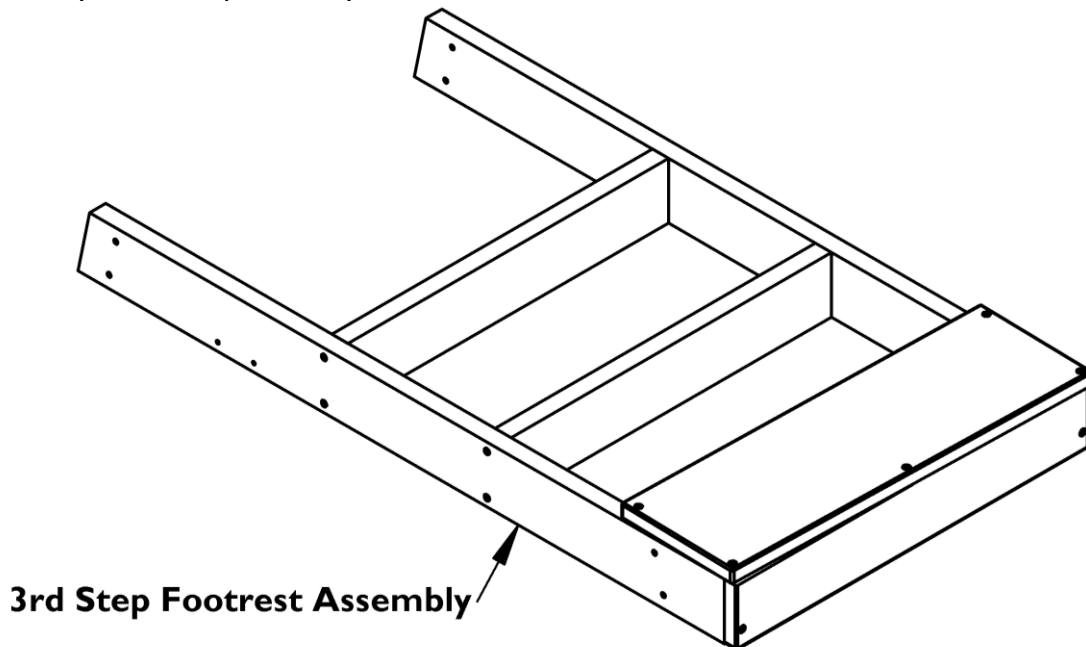
3C. Attach part (1) to assembly using 2x screws (34)



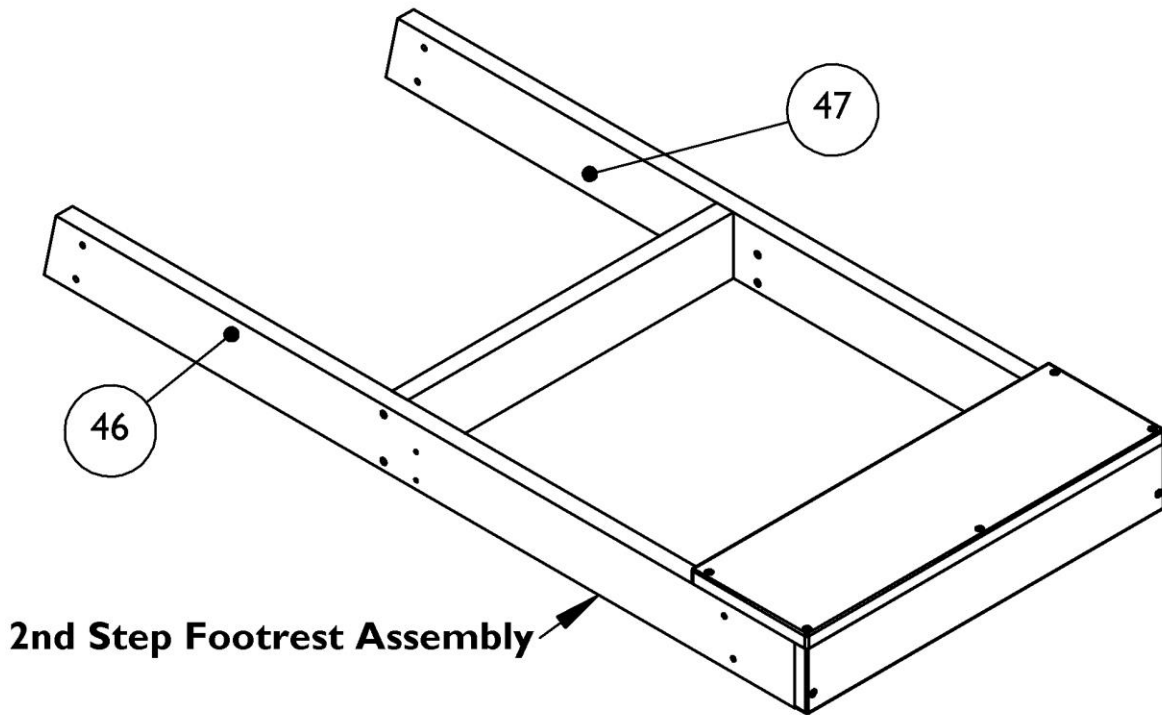
3D. Attach part (17) to assembly using screws.



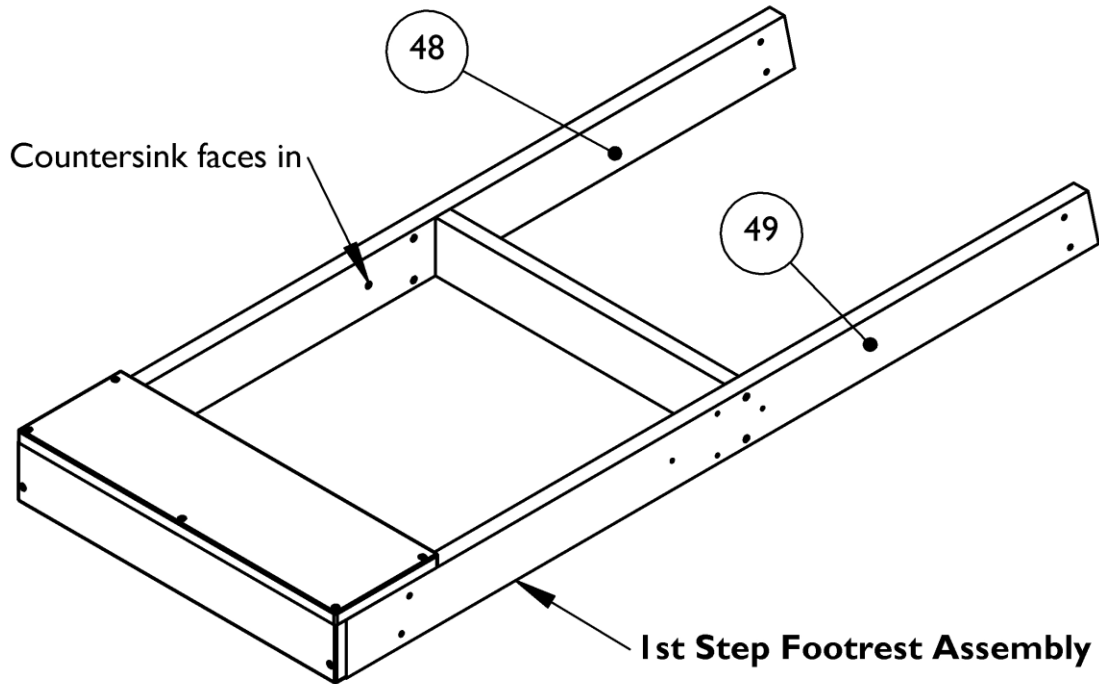
3E. Verify the 3rd Step Assembly looks like below:



3F. Repeat Steps 3A-3E for the second step assembly using parts (46) and (47) instead of (44) and (45)

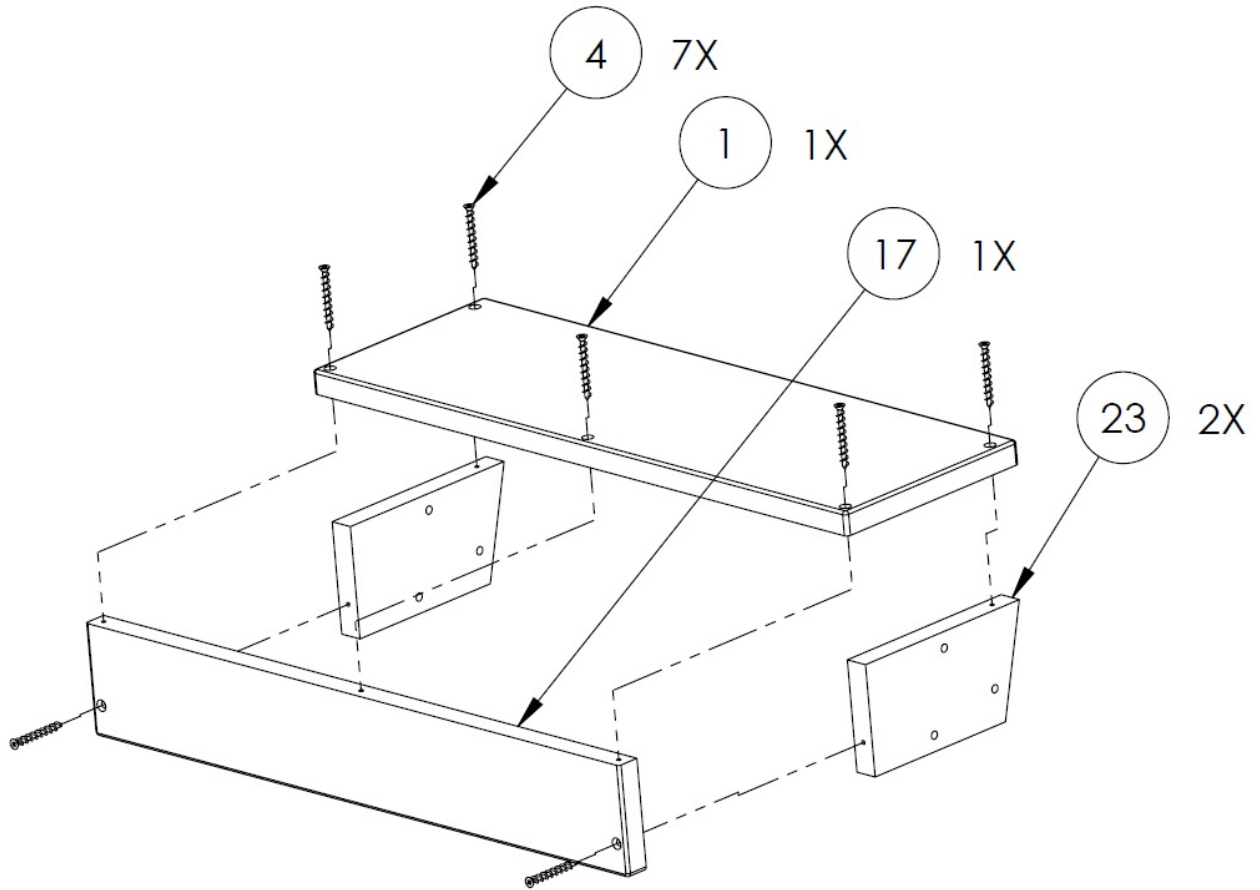


3G. Repeat Steps 3A-3E for the first step assembly using parts (48) and (49) instead of (44) and (45).

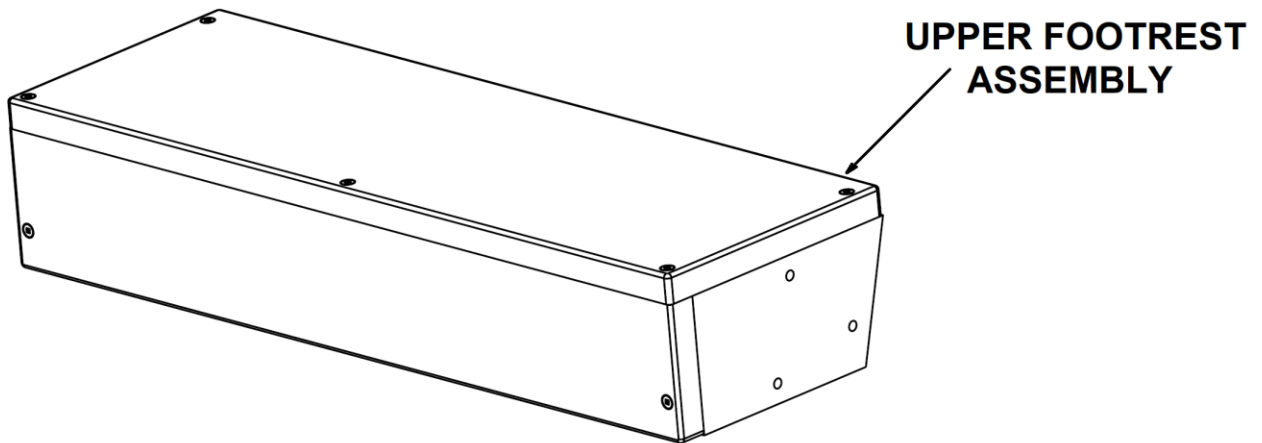


4. ASSEMBLE TOP STEP

4A. Next attach Footrest (1), Footrest Front (17), and Step Side (23) using Screws (4) as shown below.

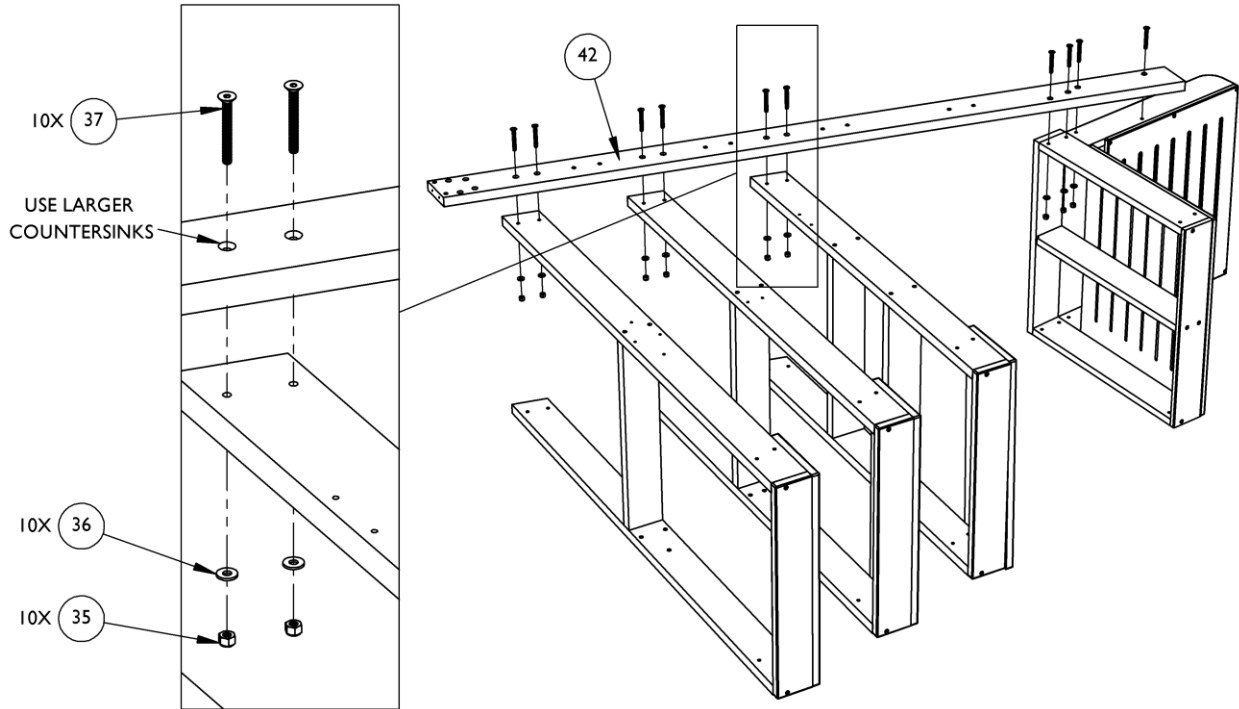


4B. Finished Upper Footrest Assembly should look like the picture below. Next use the 4 assemblies to assemble the chair.

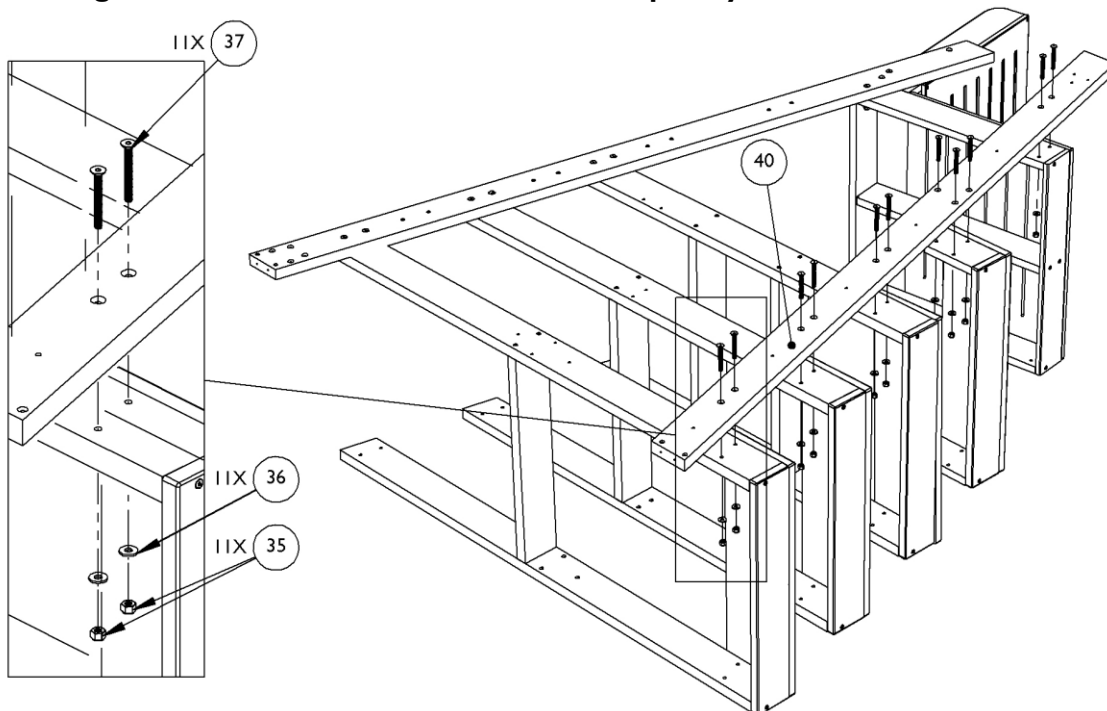


5. ASSEMBLE LEFT LEGS

- 5A. Attach Seat Back Assembly, Seat Bottom Assembly, and Footrest Assembly to leg (42) as shown using nuts (35), washers (36), and bolts (37). **Do Not Fully Tighten Nuts and Bolts Until Chair is Completely Assembled.**

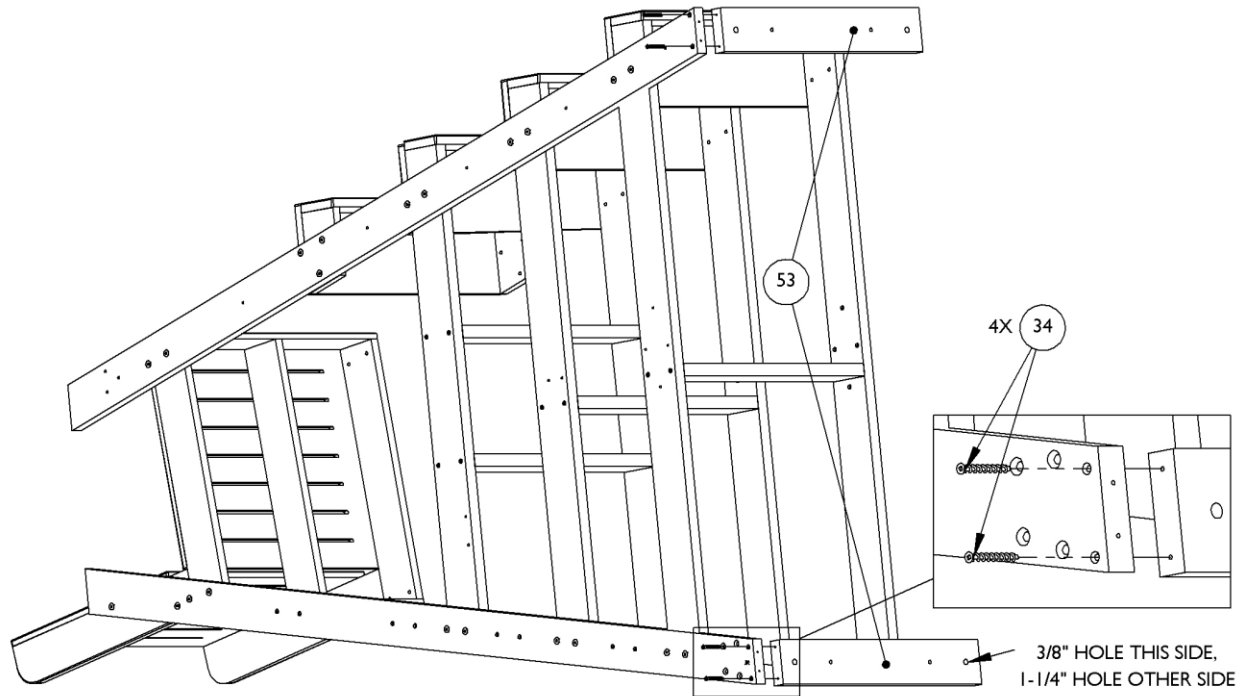


- 5B. Attach leg (40) to assembly using nuts (35), washers (36), and screws (37). **Do Not Fully Tighten Nuts and Bolts Until Chair is Completely Assembled.**



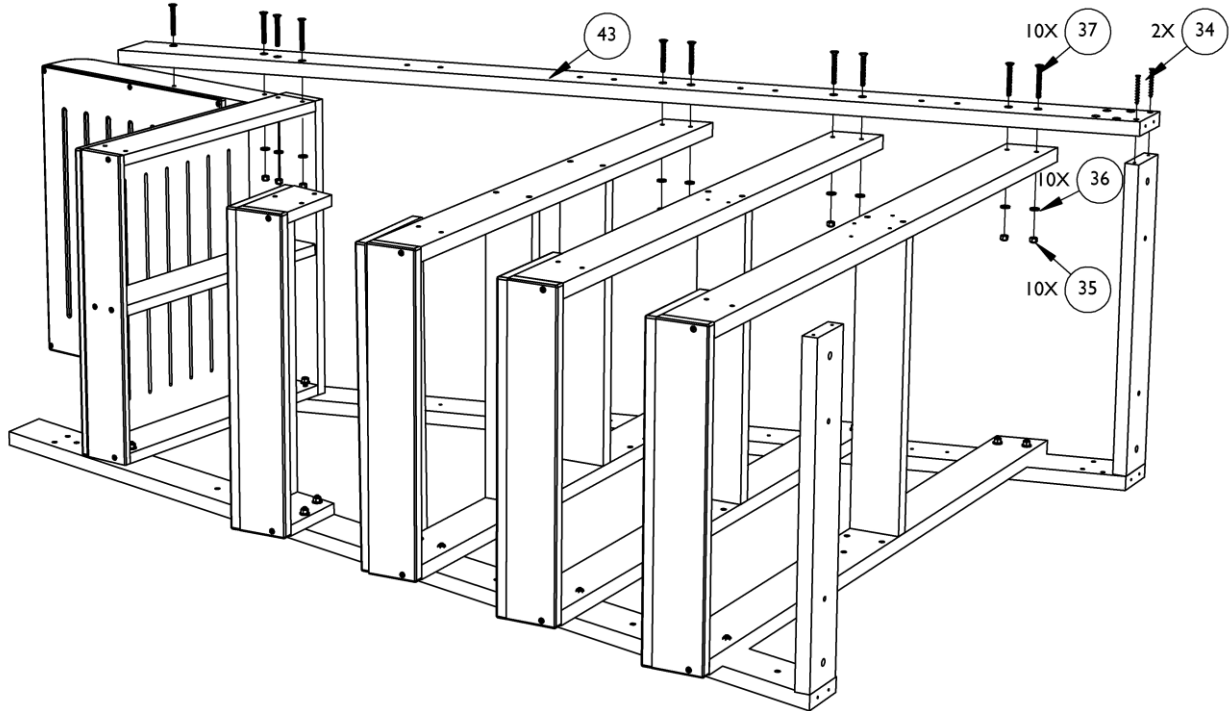
6. ASSEMBLE LEG SPACERS

Flip the chair on its back and attach leg spacers (53) to both legs to assembly using screws (34).
Do Not Fully Tighten Nuts and Bolts Until Chair is Completely Assembled.

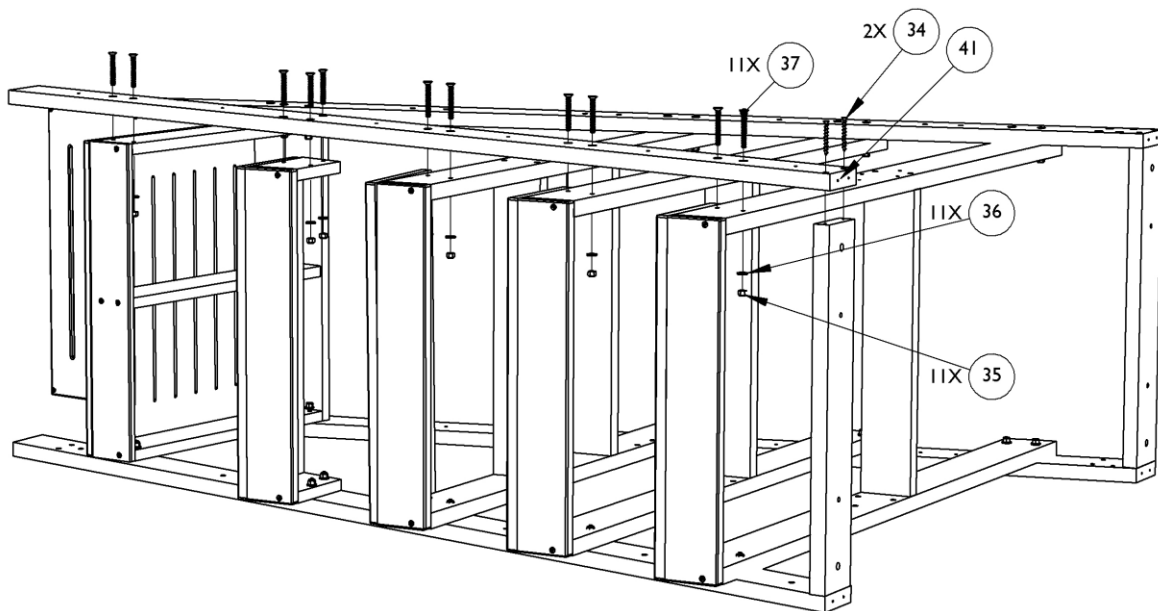


7. ATTACH RIGHT LEGS

- 7A. Attach rear leg (43) to assembly using bolts (37), screws (34), nuts (36), and washers (35) as shown.

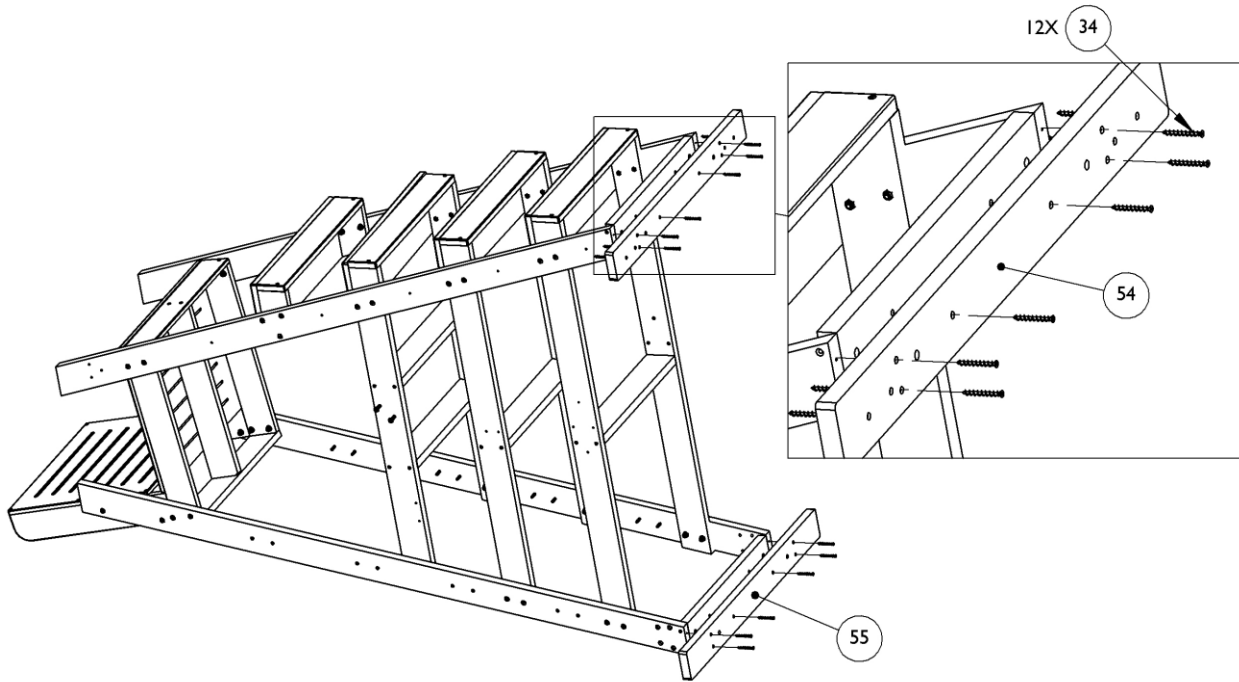


- 7B. Attach front leg (41) to assembly using bolts (37), screws (34), nuts (36), and washers (35) as shown.

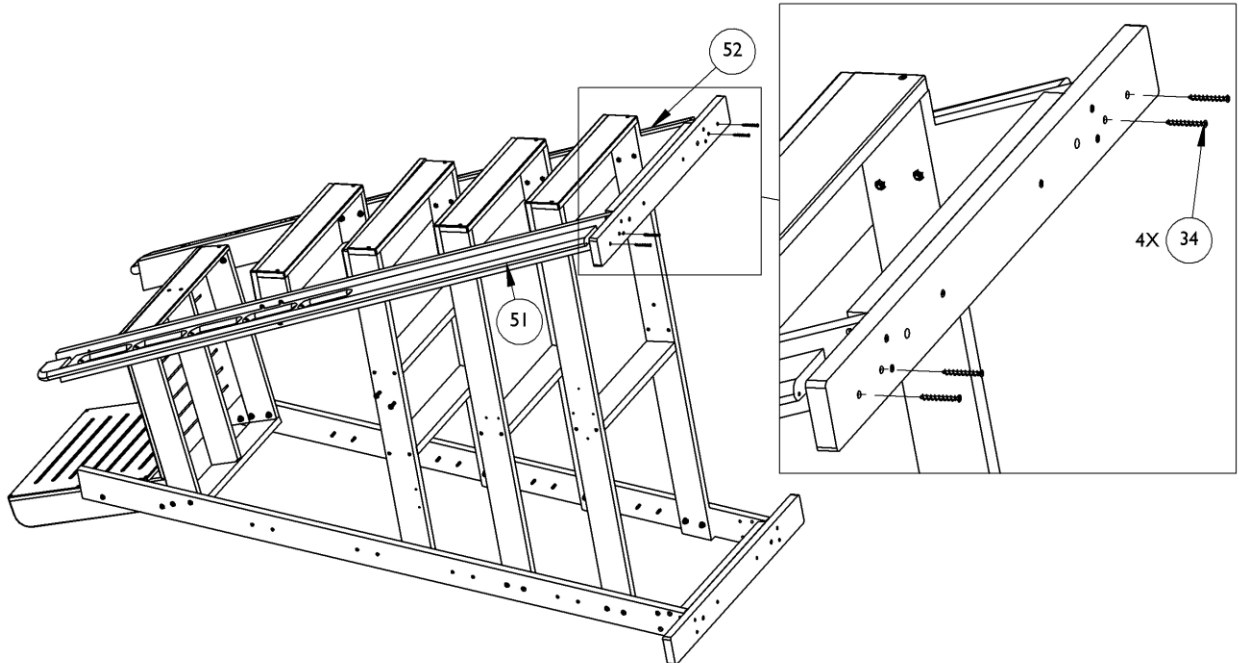


8. ATTACH BASES AND HANDHOLDS

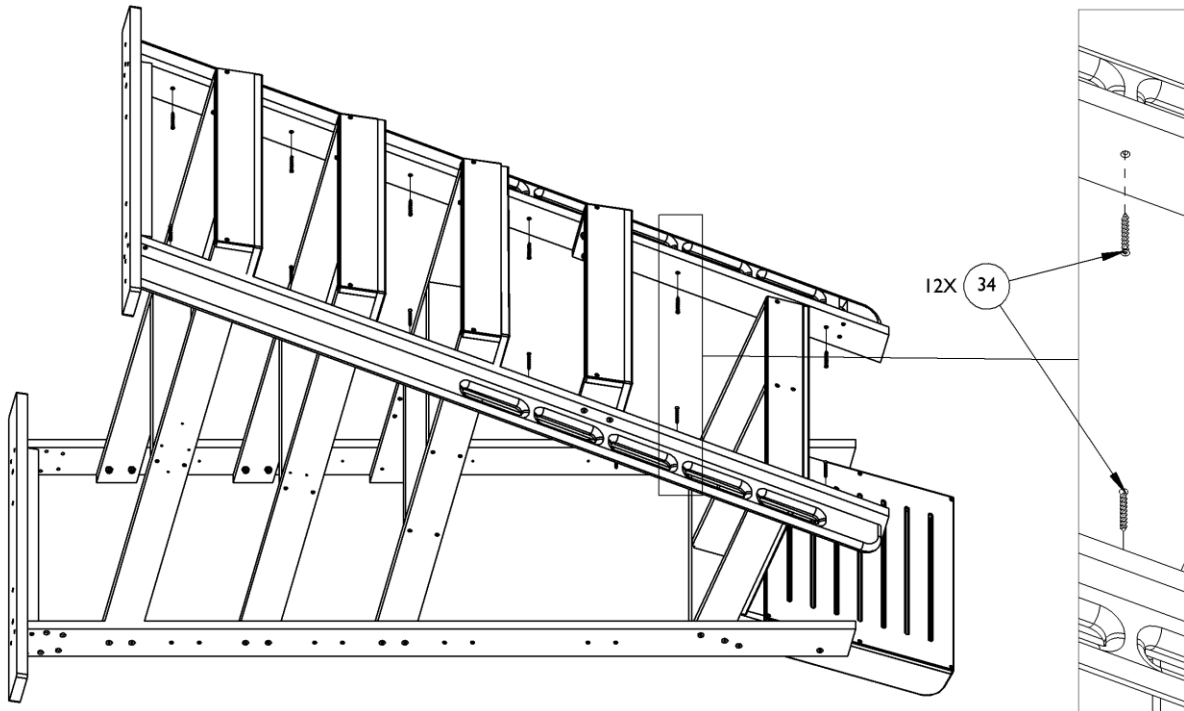
8A. Attach bases (54 with extra holes in front, 55=rear) to assembly using screws (34).



8B. Attach handholds to front base. Use pistol-grip clamps to hold to legs to align.

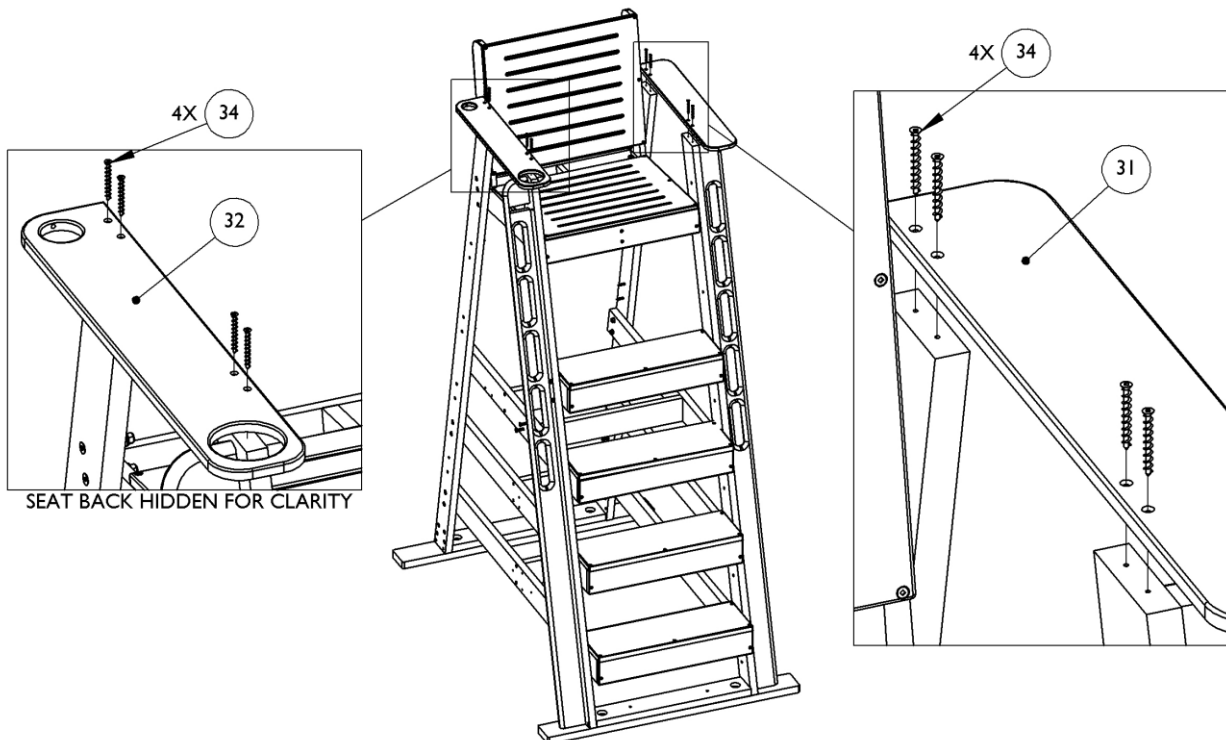


8C. Continue to attach handholds with screws (34) into front legs. Keep pistol-grip clamps in place.

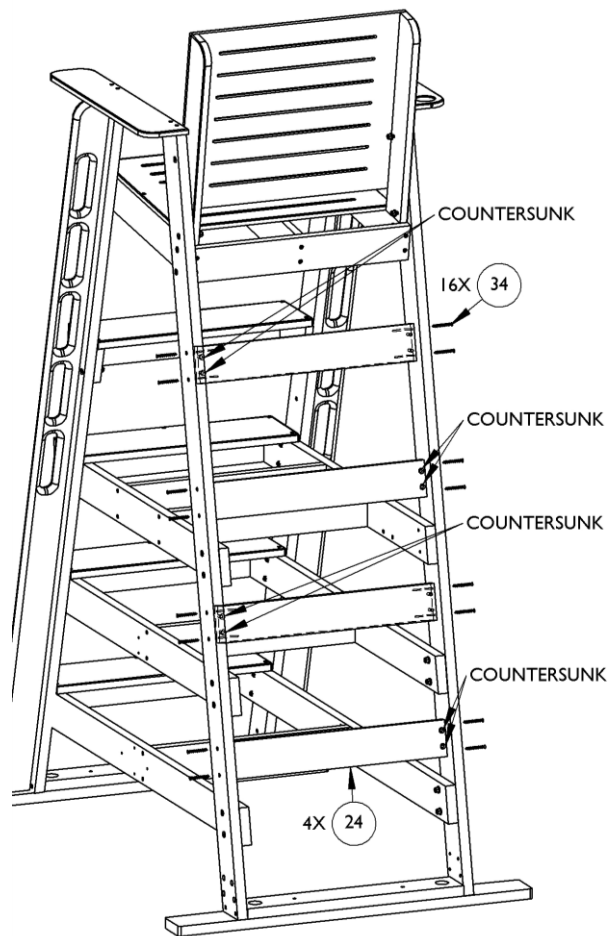


9. ATTACH ARMRESTS, CUPHOLDER, UMBRELLA MOUNT, AND CROSS-BRACING.

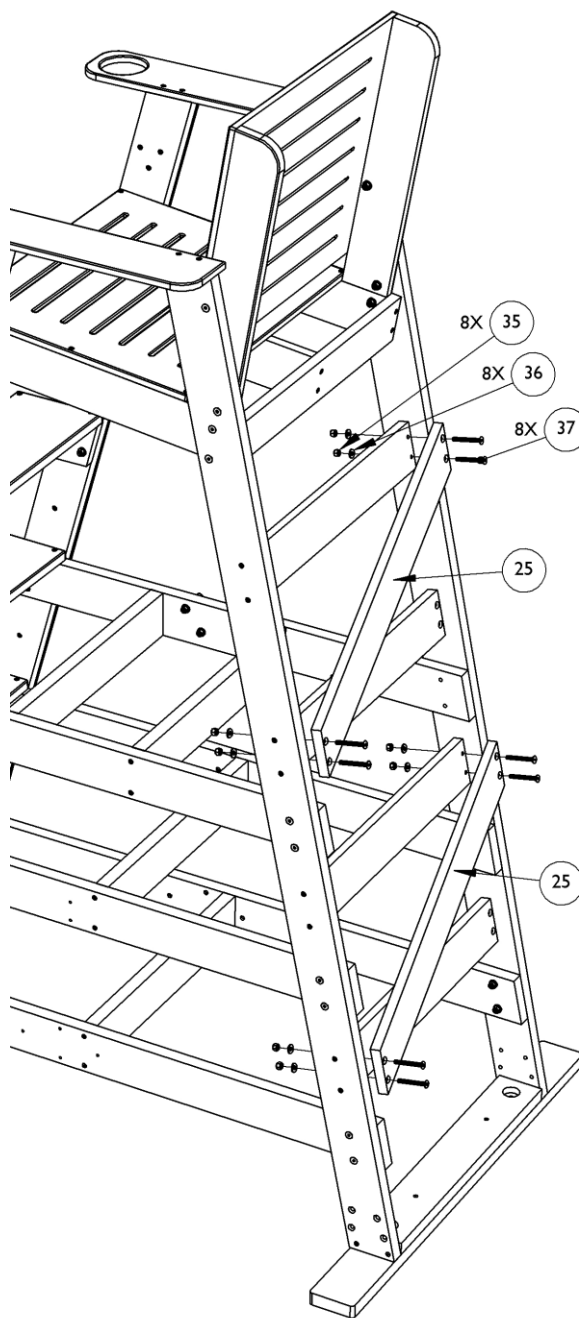
9A. Attach arm rests (31 and 32) using screws (34).



9B. Attach braces (24) using screws (34).

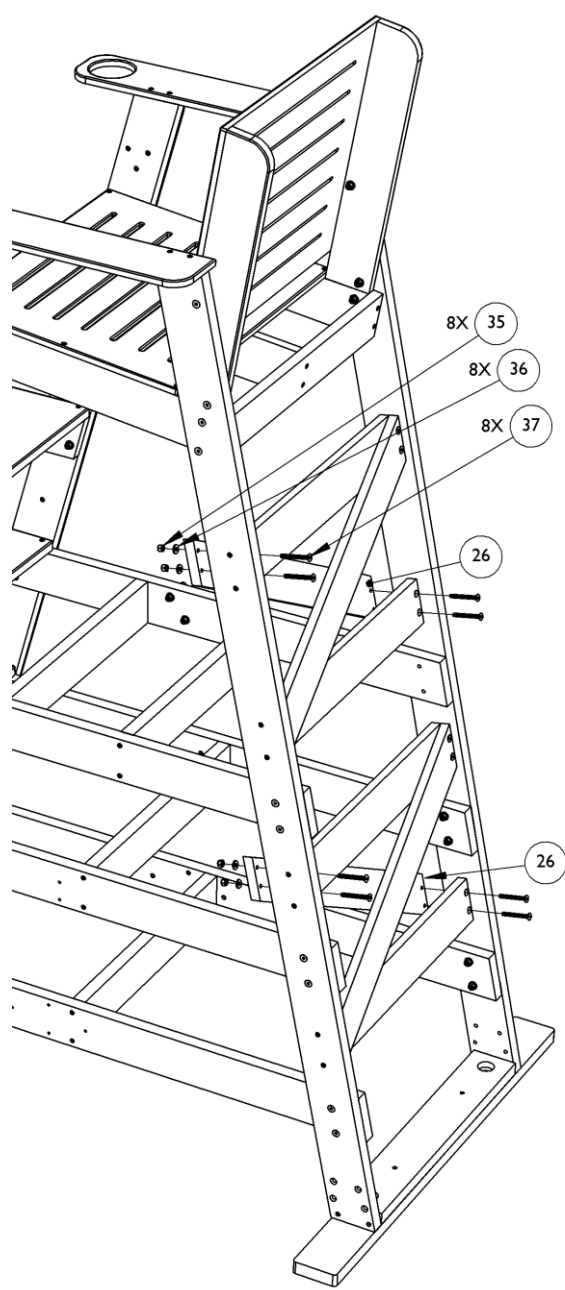


9C. Attach cross braces (25) using nuts (35), washers (36) and bolts (37) as shown.

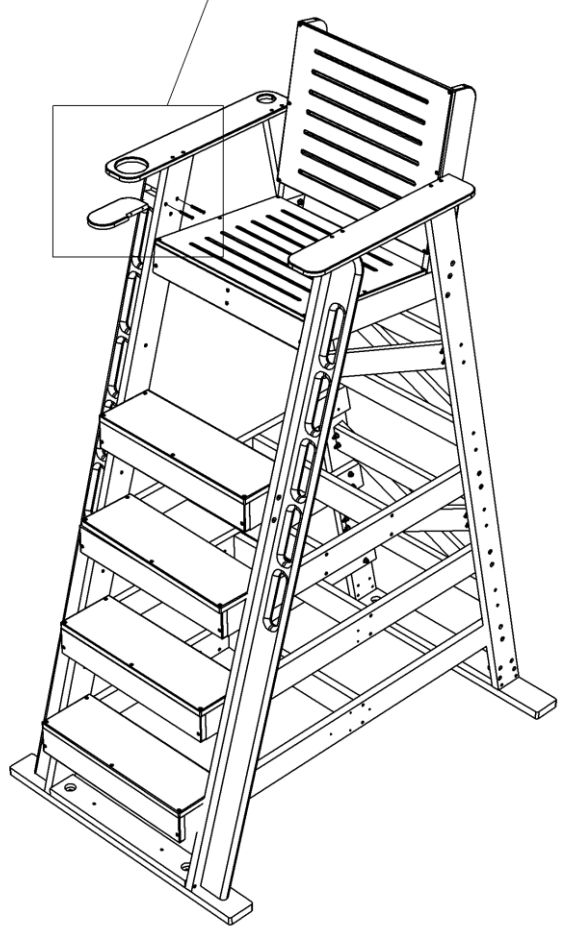
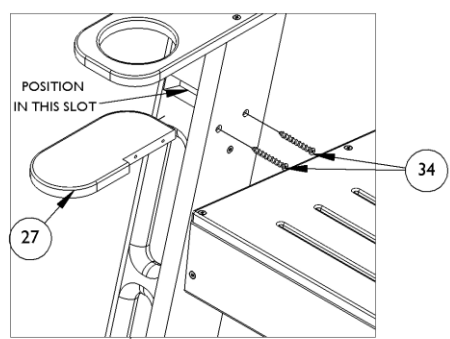


9D. Attach cross braces (26) using nuts (35), washers (36), and screws (37).

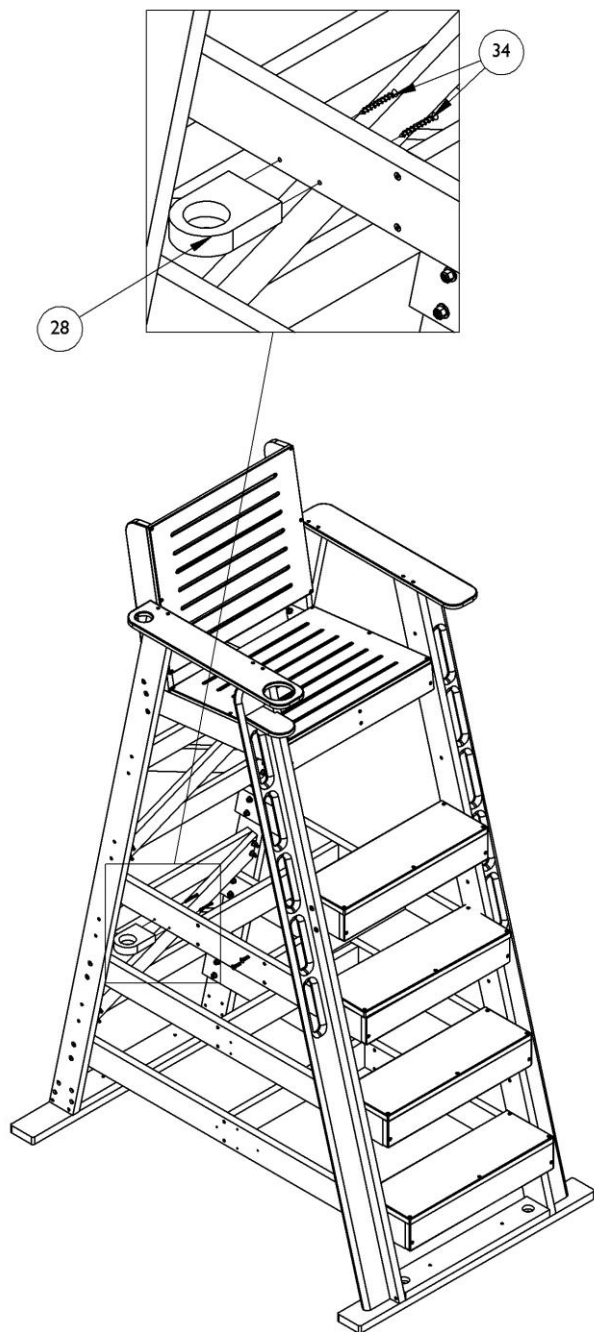
Do Not Fully Tighten Nuts and Bolts Until Chair is Completely Assembled.



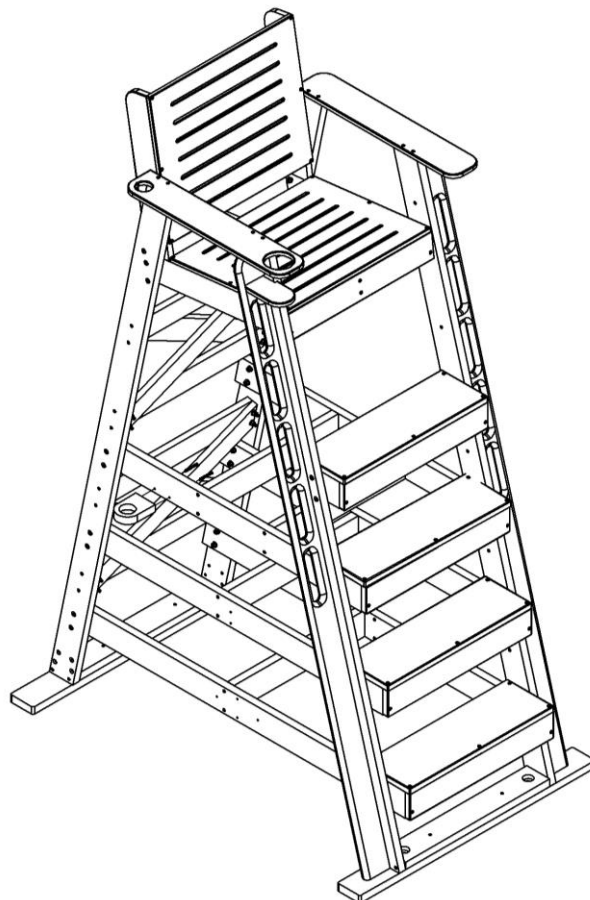
9E. Attach cup holder (27) using screws (34).



9F. Attach umbrella mount (28) using screws (34).



10. Tighten all fasteners back through assembly to ensure all hardware has been properly tightened.



INSTALLING THE 66" SENTRY LIFEGUARD CHAIR

⚠ Warning: Chair required to be anchored to deck when using umbrella.

⚠ Warning: Do not lift 66" Sentry chair alone. Get assistance from one or two others.

Recommended Anchor: We recommend anchoring with 316L stainless steel 3/8"-3 3/4" long wedge anchors. Sentry 66" Anchoring kit includes four (4) of these anchors with their washers and nuts. **S.R. Smith Part Number 13-505.**

CONCRETE WEDGE ANCHOR MOUNTING INSTRUCTIONS

1. Place the assembled lifeguard chair on the deck relative to the pool wall.
2. With the lifeguard chair in its proper location, center punch or otherwise mark through the mounting holes in the base plates so that a visible mark is apparent on the concrete.
3. To protect the lifeguard chair from damage, move it aside before drilling the holes into the concrete deck.
4. Drill the holes to the required depth (min. 2") using a hammer drill and a concrete drill bit. Use tape or a marking on the drill bit to ensure that the hole is drilled to the required depth. Keep the drill straight and perpendicular to the deck surface while drilling in order to maintain proper holding strength of the concrete wedge anchors.
5. Clear the newly drilled holes of all debris.
6. Move the lifeguard chair back into position over the holes in the concrete deck. Fasten the nylon washer, flat washer, and nut so the top of the nut lies flush with the top of the wedge anchor.
7. Drive the assembled concrete wedge anchors through the slide's mounting plate holes until the nylon washer is flush with the base plate as shown in Figure A.
8. Expand concrete wedge anchor by tightening the nut 3 to 5 turns.
9. When anchor is set, remove the hex nut and install a lock washer.
10. Retighten the hex nut to a torque of 25 ft.-lbs. See Figure B for the final assembly.

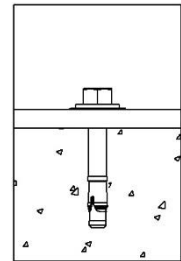


Figure A

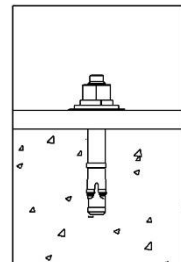


Figure B

WHEEL-AWAY KIT INSTRUCTIONS

Refer to the instructions (06-192) included with the wheel-away kit or online at srsmith.com.

⚠ WARNING ⚠

Use caution when tipping lifeguard chair back to move. Assembled chair weighs 200 lbs. Ask for help.

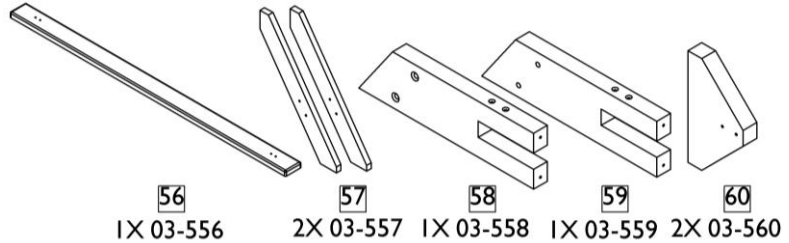
SENTRY LIFEGUARD CHAIR CENTER SUPPORT INSTALLATION

Item #	S.R. Smith Part #	Description	Qty.
56	03-556	66" CENTER SUPPORT BASE	1
57	03-557	66" CENTER SUPPORT 2 ND STEP SUPPORT	2
58	03-558	66" CENTER SUPPORT 1 ST STEP SUPPORT, LEFT	1
59	03-559	66" CENTER SUPPORT 1 ST STEP SUPPORT, RIGHT	1
60	03-560	66" CENTER SUPPORT GUSSET	2
34	05-33-121	#8 X 2" SCREW, #2 SQUARE DRIVE, 316SS	20
36	05-33-124	1/4 FLAT WASHER, 316SS	4
37	05-33-125	1/4-20 X 2.25" FLAT HEAD SCREW	4
39	05-33-123	1/4-20 CAP NUT, 316SS	4

Included with SLGC-66-S in Box 1

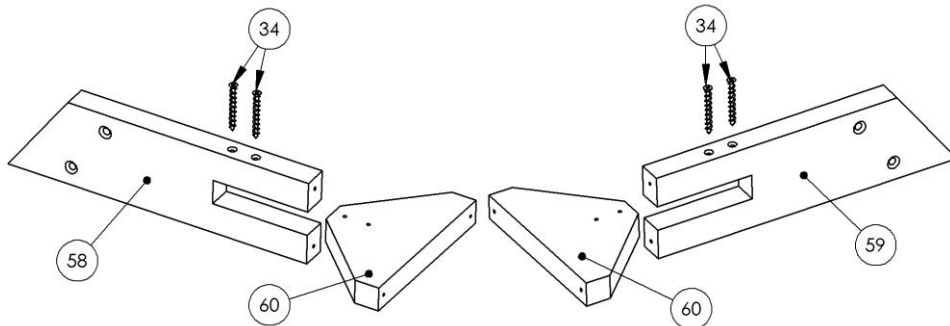
TOOLS REQUIRED:

- #2 Square Drive Bit
- 5/32" Allen Wrench
- 7/16" Ratchet or Wrench

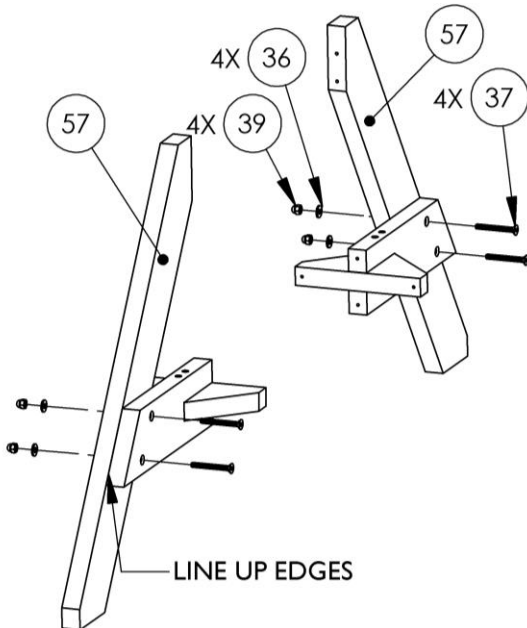


ASSEMBLY STEPS

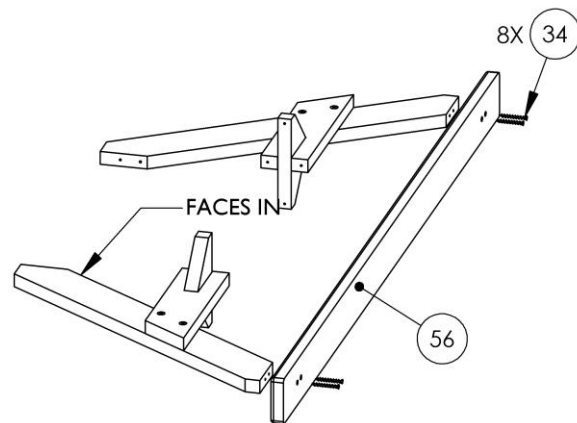
1. Attach two gussets (60) to supports (58, 59- mirrored parts) using screws (34).



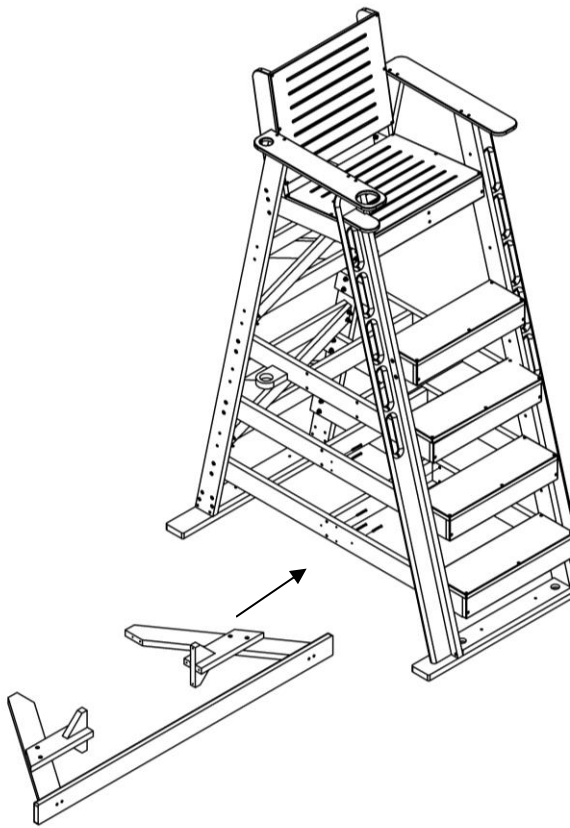
2. Attach legs (57) to supports using bolts (37), washers (36) and cap nuts (39).



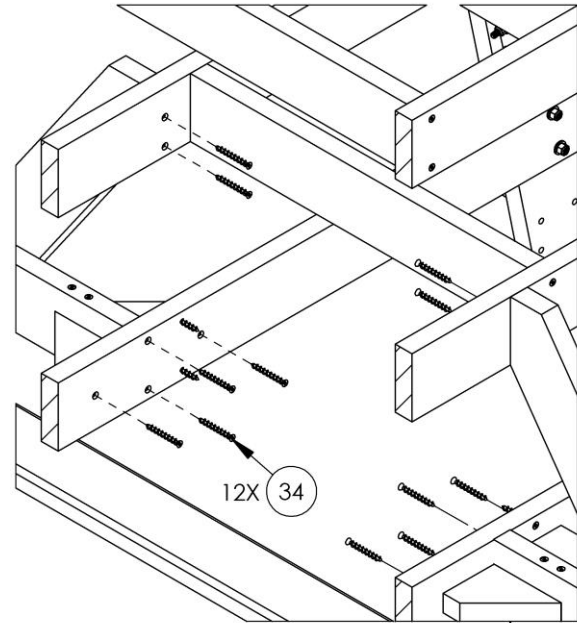
3. Attach base (56) with screws (34).



4. Slide support beneath chair. Rotate up so both sides contact the chair.



5. Attach support to chair with screws (34).



CENTER BRACE HIDDEN FOR CLARITY

