



# MOD-LITE®

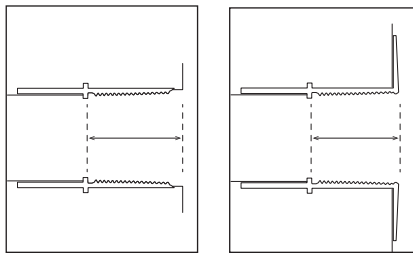
## PowerPass® Wireless

# QUICK-START GUIDE

**Congratulations!** You have purchased one of the most unique and forward thinking Pool lighting products. With new technology comes new installation techniques. We always recommend you read the installation manual in its entirety. However, here are a few things to pay close attention to so that your installation goes smoothly. See below for the key points and please refer to the installation manual for additional detail.

### Know your Fitting

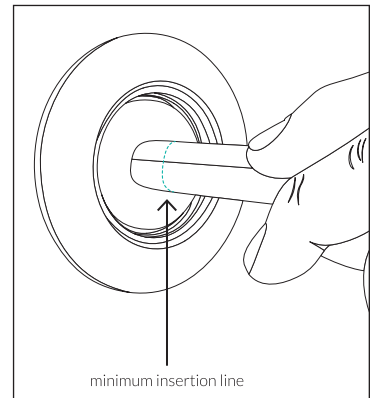
The Face-to-Stop or Surface-to-Stop distance is important to know – measure this first!



Do not install in fittings with less than 0.89" (22.6mm) of depth.  
If the distance is between 0.89" and 1.26" – Mod-Lite will fit.  
If the distance is between 0.89" and 0.94" – Remove the foam spacer  
If the distance is between 0.95" and 1.26" – Keep the foam spacer

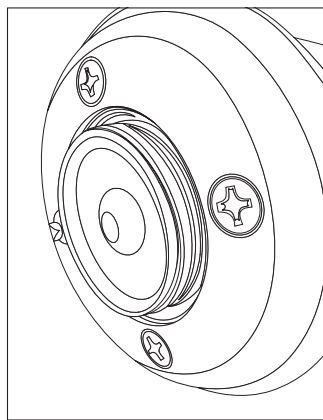
### Check for Clearance

Before the cord gets pulled in, check the clearance of the Power Coupler in the fitting. Place the wide surface of the Power Coupler in the fitting and check to see if it makes it to the minimum insertion line marked on the outside of the Power Coupler housing.



### Think Fitting Flush First

Do not pull the Power Coupler all the way into the fitting. When pulling the cord through, **STOP** when the surface of the Power Coupler is flush with the fitting opening. The Mod-Lite wireless lamp module when threaded in will set the Power Coupler to the appropriate depth.



### Dress it Before you Set it

The overall Trim Plate depth profile is slightly different between the round and modified square Trim Plates. Place the desired Trim Plate on before installing the Lamp Module so that you have greater surface area leverage to screw in the lamp and ensure both pieces are seated together properly.



Scan this code to see how easy it is to install Mod-Lite®

