

**Pool Breakdown**  
**St. Kitts 15' Round 54"**  
**NB19715**

|  |  |
|--|--|
| <p><b><u>FEATURES:</u></b><br/> Round<br/> Size: 15'<br/> Depth: 54"<br/> 60 Year Warranty</p> | <p><b><u>STRUCTURE COMPOSITION:</u></b><br/> Resin top rail<br/> Resin verticals<br/> Steel bottom rails<br/> Steel stabilizers<br/> Steel bottom plates<br/> Steel vertical end caps<br/> Resin top connector &amp; skirt</p> |
|--|--|

|                          | Qty | Carton #                   | Carton Content Description      |
|--------------------------|-----|----------------------------|---------------------------------|
| <input type="checkbox"/> | 1   | <b>5-9915-827 (PC2061)</b> | ST. KITTS – STEEL FRAME PACK    |
| <input type="checkbox"/> | 1   | <b>5-9810-726 (PC2053)</b> | ST. KITTS – TOP RAIL PACK       |
| <input type="checkbox"/> | 1   | <b>5-9999-110 (PC2073)</b> | ST. KITTS – TOP CONNECTOR PACK  |
| <input type="checkbox"/> | 1   | <b>5-9110-826 (PC2037)</b> | ST. KITTS – VERTICAL SKIRT PACK |
| <input type="checkbox"/> | 1   | <b>5-9710-726 (PC2042)</b> | ST. KITTS – VERTICAL PACK       |
| <input type="checkbox"/> | 1   | <b>5-0569-015 (PC2018)</b> | ST. KITTS – SIDEWALL CARTON     |
| <input type="checkbox"/> | 1   | <b>BS 04243 (NA324)</b>    | ST. KITTS – SKIMMER ASSEMBLY    |

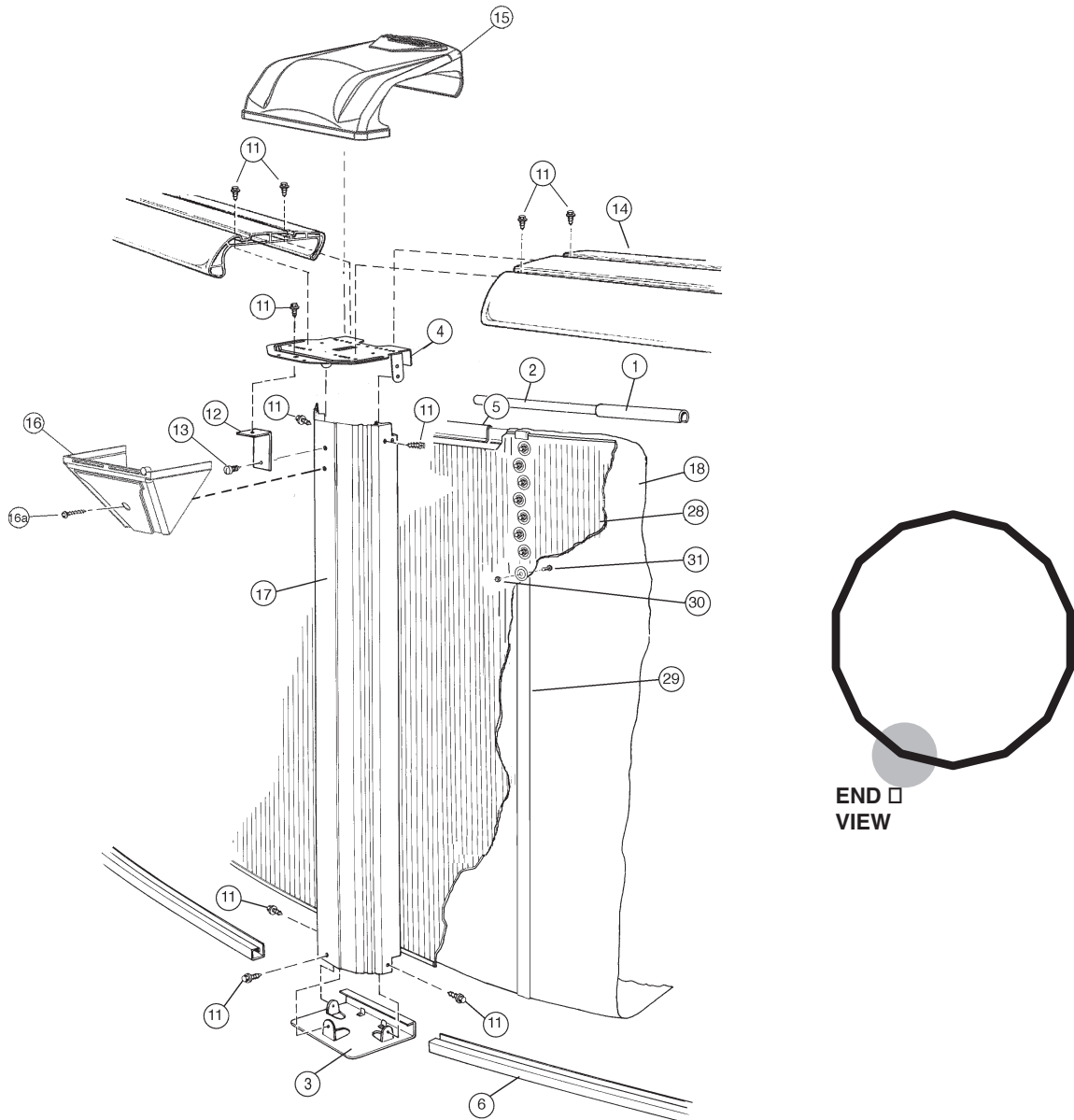
**Carton Breakdown**  
**St. Kitts 15' Round 54"**  
**NB19715**

| Key  | Qty | Item # | Mfg Part # | Part Description |                                |
|--|-----|--------|------------|------------------|--------------------------------|
| <b>FRAME CARTON # 5-9915-827 (PC2061)</b>          |     |        |            |                  |                                |
| <input type="checkbox"/>                           | 1   | 8      | NPB5202    | 583-1011         | STABILIZER RAIL, LARGE DIA.    |
| <input type="checkbox"/>                           | 2   | 8      | NBP5203    | 583-1012         | STABILIZER RAIL, SMALL DIA.    |
| <input type="checkbox"/>                           | 3   | 10     | NBP5252    | 580-1343         | BOTTOM CONNECTOR               |
| <input type="checkbox"/>                           | 4   | 10     | NBP5253    | 580-2375         | VERTICAL END CAP               |
| <input type="checkbox"/>                           | 5   | 26     | NBP5200    | 545-1001         | PLASTIC COPING, 24"            |
| <input type="checkbox"/>                           | 6   | 10     | NBP5204    | 589-1302         | BOTTOM RAIL                    |
| <input type="checkbox"/>                           | 11  | 100    | NBP5207    | 330-1127         | SHEET METAL SCREW, #10 x 1/2"  |
| <input type="checkbox"/>                           | 12  | 10     | NBP5256    | 580-1460         | VERTICAL TAB                   |
| <input type="checkbox"/>                           | 13  | 10     | NBP5257    | 330-1075         | #14 x 1/2" SCREW               |
| <input type="checkbox"/>                           | --- | 1      | -----      | 573-3772         | POOL PARTS LIST                |
| <input type="checkbox"/>                           | --- | 1      | -----      | 573-3774         | POOL INSTALLATION INSTRUCTIONS |
| <input type="checkbox"/>                           | --- | 1      | -----      | -----            | WARRANTY CARD                  |
| <input type="checkbox"/>                           | --- | 1      | -----      | 573-3169         | "SAFETY FIRST" BOOKLET         |
| <b>TOP RAIL CARTON # 5-9810-726 (PC2053)</b>       |     |        |            |                  |                                |
| <input type="checkbox"/>                           | 14  | 10     | NBP5258    | 587-1741         | TOP RAIL                       |
| <b>TOP CONNECTOR CARTON # 5-9999-110 (PC2073)</b>  |     |        |            |                  |                                |
| <input type="checkbox"/>                           | 15  | 10     | NBP5259    | 340-2746         | TOP CONNECTOR                  |
| <b>VERTICAL SKIRT CARTON # 5-9110-826 (PC2037)</b> |     |        |            |                  |                                |
| <input type="checkbox"/>                           | 16  | 10     | NBP5260    | 340-2747         | VERTICAL SKIRT                 |
| <input type="checkbox"/>                           | 16a | 10     | NBP5218    | 510-1001         | #10 x 1-1/2" SCREW             |

**Carton Breakdown**  
**St. Kitts 15' Round 54"**  
**NB19715**

| Key  | Qty | Item # | Mfg Part # | Part Description |                                     |
|--|-----|--------|------------|------------------|-------------------------------------|
| <b>VERTICAL CARTON # 5-9710-726 (PC2042)</b> |     |        |            |                  |                                     |
| <input type="checkbox"/>                     | 17  | 10     | NBP5261    | 341-1508         | VERTICAL                            |
| <b>SIDEWALL CARTON # 5-0569-015 (PC2018)</b> |     |        |            |                  |                                     |
| <input type="checkbox"/>                     | 28  | 1      | PC2018     | 5-0569-015       | SIDEWALL                            |
| <input type="checkbox"/>                     | 29  | 1      | NBP5212    | 535-1442         | PROTECTIVE STRIP                    |
| <input type="checkbox"/>                     | 30  | 27     | NBP5213    | 321-1029         | 1/4-20 HEX FLANGE LOCKNUT           |
| <input type="checkbox"/>                     | 31  | 27     | NBP5213    | 330-1280         | 1/4-20 x 1/2" GRADE 5 HEX HEAD BOLT |
| <input type="checkbox"/>                     | --- | 1      | -----      | 573-3498         | SAFETY VIDEO                        |
| <input type="checkbox"/>                     | --- | 1      | -----      | 560-1055         | WARNING SIGN DECAL                  |
| <b>SKIMMER CARTON # BS 04243 (NA324)</b>     |     |        |            |                  |                                     |
| <input type="checkbox"/>                     | --- | 1      | NA324      | BS 04243         | WIDE MOUTH SKIMMER & RETURN INLET   |

# St. Kitts 15' Round 54" NB19715



| Key # | Part Description              | Item #  |
|-------|-------------------------------|---------|
| 1     | Stabilizer Rail, large dia.   | NBP5202 |
| 2     | Stabilizer Rail, small dia.   | NBP5203 |
| 3     | Bottom Connector              | NBP5252 |
| 4     | Vertical End Cap              | NBP5253 |
| 5     | Plastic Coping, 24"           | NBP5200 |
| 6     | Bottom Rail                   | NBP5204 |
| 11*   | Sheet Metal Screw, #10 x 1/2" | NBP5207 |
| 12    | Vertical Tab                  | NBP5256 |
| 13    | #14 x 1/2" Screw              | NBP5257 |

| Key # | Part Description              | Item #  |
|-------|-------------------------------|---------|
| 14    | Top Rail                      | NBP5258 |
| 15    | Top Connector                 | NBP5259 |
| 16    | Vertical Skirt                | NBP5260 |
| 16a   | #10 x 1-1/2" Screw            | NBP5218 |
| 17    | Vertical                      | NBP5261 |
| 28    | Sidewall                      | PC2018  |
| 29    | Protective Strip              | NBP5212 |
| 30    | 1/4-20 Hex Flange Locknut     | NBP5213 |
| 31    | 1/4-20 x 1/2" Grade 5 HH Bolt | NBP5213 |

\* Screws are available at most hardware stores