



SKU# NBP6058

FLOWXTREME™ COTTON TAILS™ CARTRIDGE FILTER



Questions, problems, missing parts?

Before returning to your retailer, call our Consumer Hotline at 1-800-759-0977,
Monday – Friday. 8am – 5pm (CST)

TABLE OF CONTENTS

THANK YOU! 3

SAFETY INFORMATION 3

SAFETY INSTRUCTIONS 4

INSTALLATION INSTRUCTIONS..... 6

OPERATING INSTRUCTIONS..... 9

CLEANING AND REPLACEMENT..... 9

GENERAL MAINTENANCE 10

LIMITED 90-DAY WARRANTY 10

THANK YOU!

Thank you for purchasing this product. We work around the clock and around the globe to ensure that our products maintain the highest possible quality. However, in the rare case of issues during assembly or use of this product, please contact our **Consumer Hotline at 800-759-0977** for immediate assistance before contacting your retailer. Please read the warranty information at the back of these assembly instructions for further details.

This filter system has been manufactured of the highest quality materials and factory tested to ensure years of trouble-free service. It features Cotton Tails™ filtration media for superior water clarity and minimum pool maintenance.

SAFETY INFORMATION

Please read this entire manual before attempting to assemble, operate, or install the product.

**NEVER DIVE OR JUMP INTO AN ABOVE-GROUND POOL!
SERIOUS AND PERMANENT INJURIES MAY RESULT.**

**NEVER LEAVE CHILDREN UNATTENDED IN OR AROUND THE POOL!
UNATTENDED CHILDREN DROWN IN POOLS EVERY YEAR.**



SAVE THIS INSTRUCTION MANUAL

Use of unauthorized replacement parts voids warranty.

ATTENTION INSTALLER: This manual contains important information about the installation, operation, and safe use of this pump and must be furnished to the end user of this product. Failure to read and follow all instructions could result in serious injury.

SAFETY INSTRUCTIONS

WARNING: To reduce risk of injury, do not permit children to use or climb on this product. Closely supervise children at all times. Components such as the filtration system, pumps, and heaters must be positioned to prevent children from using them as a means of access to the pool.

CAUTION: This pump is designed for use with storable pools. A storable pool is constructed so that it is capable of being readily disassembled for storage and reassembled to its original integrity.

Though this product is designed for outdoor use, it is strongly advised to protect the electrical components from the weather. Select a well-drained area, one that will not flood when it rains. It requires free circulation of air for cooling. Do not install in a damp or unventilated location. If installed within an outer enclosure adequate ventilation and free circulation of air must be provided to prevent overheating of the motor.

WARNING: Pool components have a finite life. All components should be inspected frequently and replaced if found to be damaged, broken, cracked, missing, or not securely attached.

WARNING – RISK OF ELECTRIC SHOCK: Hazardous voltage. Can shock, burn, or cause death. To reduce the risk of electric shock, do NOT use an extension cord to connect unit to electric supply. Provide a properly located outlet. It is required that licensed electricians do all electrical wiring. All electrical wiring MUST be in conformance with applicable local and national codes and regulations. Before working on pump or motor, disconnect motor wiring.

WARNING: To reduce the risk of electric shock replace damaged cord immediately. **DO NOT** bury cord. Locate cord to prevent accidental damage from lawn mowers, hedge trimmers, and other equipment.

WARNING: Connect only to a grounding type receptacle protected by a Ground Fault Circuit Interrupter (GFCI).

Contact a licensed electrician if you cannot verify that the receptacle is protected by a GFCI. If there is no GFCI one MUST be installed by a licensed electrician.

WARNING: Contact a licensed electrician for information on local electrical codes for bonding requirements.

WARNING – SUCTION ENTRAPMENT HAZARD: Entrapment in suction outlets and/or suction outlet covers, which are damaged, broken, cracked, missing, or unsecured can cause severe injury and/or death due to the following entrapment hazards:

- **Hair Entrapment:** Hair can become entangled in suction outlet cover.
- **Limb Entrapment:** A limb inserted into an opening of a suction outlet sump or suction outlet cover that is damaged, broken, cracked, missing, or not securely attached can result in a limb becoming entrapped.
- **Body Suction Entrapment:** A pressure applied to a large portion of the body or limbs can result in an entrapment.
- **Mechanical Entrapment:** There is potential for jewelry, swimsuits, hair decorations, fingers, toes, or knuckles to be caught in an opening of a suction outlet cover resulting in mechanical entrapment.

SAFETY INSTRUCTIONS (continued)

WARNING: Failure to install according to defined instructions may result in severe personal injury or death.

WARNING: Use of unauthorized replacement parts voids warranty.

WARNING: The maximum head of the pump is 3.7m (for pumps having rated power input exceeding 100W). Maximum water temperature: 95° F.

CAUTION: Make sure the pump is properly secured and positioned in a dry area before use.

WARNING: This pump should not be operated by children or persons with reduced physical, sensory, or mental capabilities or that lack of experience and knowledge of its operation.

WARNING: The pump must not be used when people are in the water.

WARNING: To prevent possible electric shock, do not attempt to plug the power cord in with wet hands or while standing in water.

CAUTION: Make certain that all clamps are tightened and that all hoses are connected properly before starting filtration and before each use of the pump.

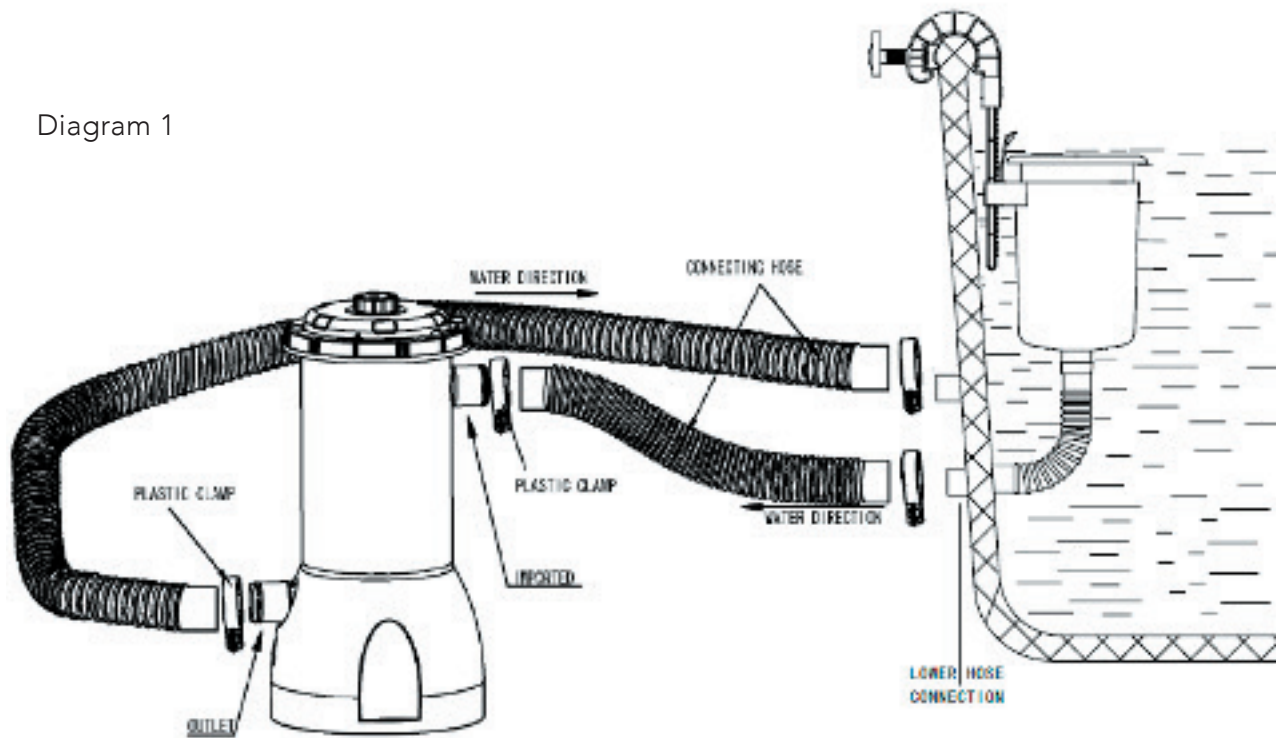
WARNING: DO NOT use this filter pump to vacuum pool.

INSTALLATION INSTRUCTIONS

CAUTION: DO NOT plug in your filter until instructed to do so. **DO NOT** operate if you are standing in water as this is an electrocution hazard.

1. Set up your pool according to the manufacturer's instructions. Fill it with water according to the instructions in the pool and or skimmer manuals.
2. Assemble the filter pump per the diagrams (see diagram 1).
3. Position the filter pump unit on the outside of the pool at least 7.8-in below the highest water level in the pool. This is important to maintain the pump's self-priming capability.
4. **WARNING: DO NOT** place the filter pump inside the pool sidewall.
5. Position the filter pump at least 24-in away from the outside of the pool sidewall.

Diagram 1



6. Place the bottom foam and Cotton Tails™ into the body of the filter pump (see diagram 2).

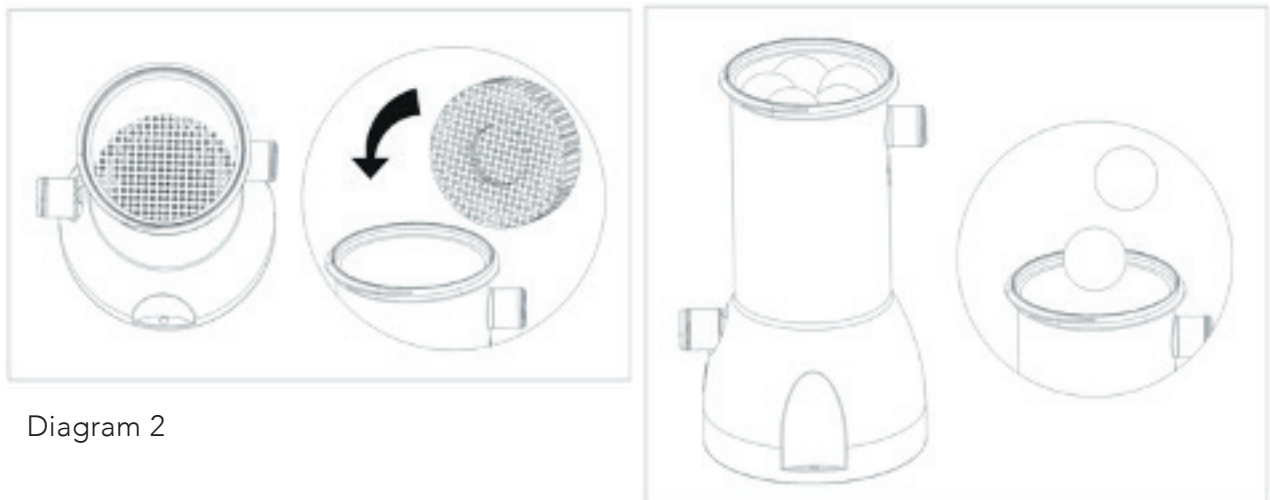


Diagram 2

INSTALLATION INSTRUCTIONS (continued)

7. Make certain that the pump o-ring is placed in the seal groove on the top of the filter pump (see diagram 3).
8. Screw the filter chamber cover onto the top of the body of filter pump. Tighten by hand only.
9. Connect the hoses (see diagram 4). Attach the hoses to the pump and to the wall of pool (see diagram 1). Tighten the hose clamps securely with a screwdriver, but do not over-tighten.
10. Once the hoses are properly attached you will want to allow the filter pump chamber to full with water (see operating instructions step 1).
11. This filter system comes pre-wired with a 25-ft, 3-prong grounded plug. The motor runs on 115V current. You must connect the cord to a GFCI (Ground Fault Circuit Interrupter). See the warnings in Safety Instructions.
12. **CAUTION:** Never operate the filter pump dry this can cause damage to the pump motor that is not covered by your warranty.



Diagram 3

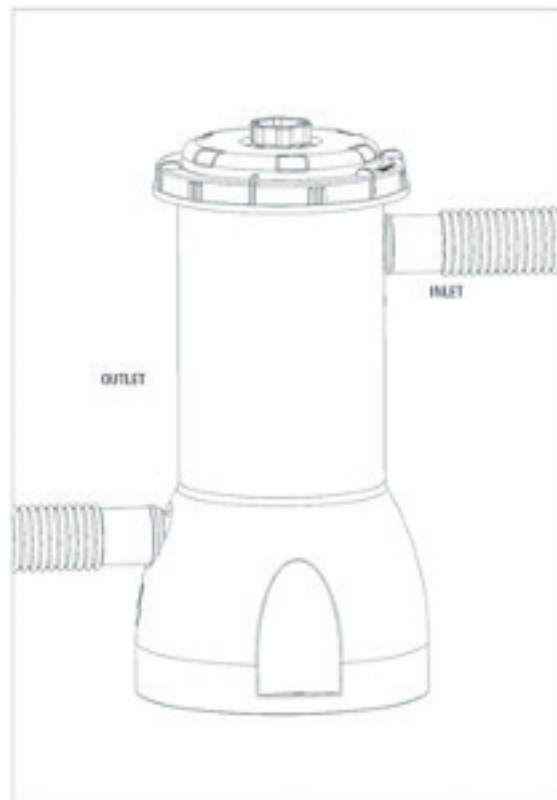
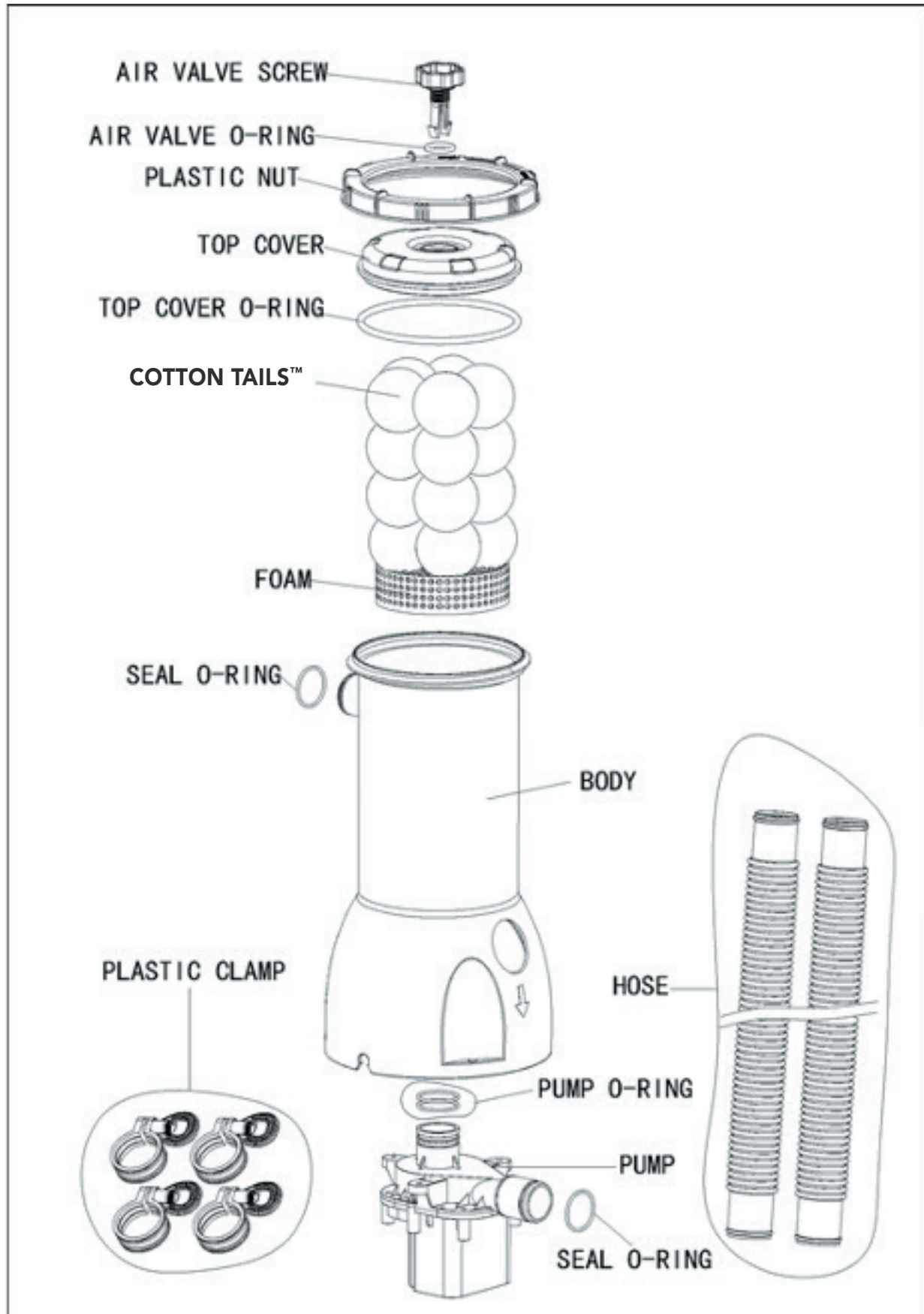


Diagram 4

INSTALLATION INSTRUCTIONS (continued)



OPERATING INSTRUCTIONS

1. The filter pump is self-priming as long as it is positioned at least 7.8-in below the highest water level of the lower hose connection. An air relief valve is located on the top of the pump. Turn the valve knob counter-clockwise, allowing air to escape from the tank. When a small amount of water escapes close immediately. The pump is now completely primed.
2. Once the filter is primed you can now plug in the 25-ft cord as instructed in Installation Instructions.
3. Never operate the filter pump dry. This can cause damage to pump seals resulting in leakage and/or flooding. Dry running damage is not covered by the warranty.
4. Prior to each use, check to ensure that all hose-clamps are tightened.
5. The filter pump must operate in the upright, vertical position.
6. The filter pump must be positioned on level, stable ground.
7. To keep the pool filtered properly, your pump should be run approximately 4 to 6 hours per day. Overuse may cause overheating and/or motor burnout. Use good judgment on extremely hot days.
8. **DO NOT** run the filter pump continuously for an extended period of time.

CLEANING AND REPLACEMENT

1. The Cotton Tails™ should be inspected and cleaned or replaced when dirty or at least at the start of each new season.
2. Periodically cleaning the Cotton Tails™ can enhance the effectiveness of your filter pump and prolong the Cotton Tails™ lifespan prior to replacement.
3. **WARNING:** Always disconnect the power to the unit when cleaning or changing the Cotton Tails™.
4. Cleaning or changing the Cotton Tails™:
 - Plug the intake fitting on the side of the pool or if equipped with a shut off valve, close it to prevent water from escaping from the filter tank when you remove the filter canister cover.
 - Turn the air relief screw to release the air suction inside.
 - Remove the filter canister cover and the filter chamber rubber gasket.
 - Remove the dirty Cotton Tails™ and the black foam screen from the filter canister.
 - Rinse dirt and debris from the black foam screen and return to the filter canister.
 - Rinse and clean the Cotton Tails™ or replace with new Cotton Tails™ and return to the filter canister on top of the black foam screen.
 - Reassemble the filter canister cover, remove the wall plug or open the shut off valve to allow water to enter the filter pump until water comes out of the air relief screw then tighten the air relief screw.
5. Reconnect the filter pump to the power supply and resume filtering operation.

GENERAL MAINTENANCE

1. To avoid dangerous or fatal electrical shock hazard, always disconnect power to the unit before attempting to clean pump or filter canister.
2. The pump is sealed and requires **NO** mechanical maintenance or lubrication. **DO NOT** attempt to disassemble the pump motor at any time. Doing so will void your warranty.
3. If necessary, clean the outside of pump only with a mild detergent and water.

LIMITED 90-DAY WARRANTY

1 GENERAL TERMS:

- 1.1 In accordance with these provisions, the seller warrants that the product is free of defects and in perfect working condition at the time of delivery to the final purchaser (consumer).
- 1.2 The warranty term for the product is 90 days from the time it is delivered to the final purchaser (consumer).
- 1.3 In the event of any defect in the product notified by the purchaser (consumer) to the seller during the warranty term, the seller will repair or replace the product as they determine best.
- 1.4 Replacing or repairing parts or the complete product under this warranty will not extend the warranty term of the original product, but will assume any remaining balance of the original warranty term.
- 1.5 In order for this warranty to be valid, the purchaser (consumer) must provide proof of the date of purchase and the date of the product's installation.

2. INDIVIDUAL TERMS:

- 2.1 This warranty covers the products referred to in this manual.
- 2.2 For this warranty to be effective, the purchaser (consumer) must strictly follow the manufacturer's instructions as included in the documentation provided with the product.

3. LIMITATIONS:

- 3.1 This warranty will only be applicable to sales made to the final purchaser (consumer).
- 3.2 The normal wear resulting from using the product is not covered under this warranty. With respect to expendable or consumable parts, components and/or materials, such as hoses, hose clamps, Cotton Tails™, and the black foam screen, no warranty other than an initial defect warranty applies.
- 3.3 The warranty does not cover those cases where the product; (I) has been handled incorrectly; (II) has been repaired, serviced or handled by non- authorized people, or (III) has been repaired or serviced not using original parts. In cases where the defect of the product is a result of incorrect installation or start-up, this warranty is void.
- 3.4 For questions regarding the Warranty or to claim service under the warranty, please contact your seller.