

FLOW STAR® SKIMMER WITH NARROW 9" DEEP THROAT, FLOAT ASSEMBLY, BASKET, LID, ADJUSTABLE COLLAR FOR FIBERGLASS



Built in conformance with NSF 50 and SPS 3 standards



FEATURES

- Adjustable collar
- New weir clip lock secures the clips in the weir door
- Large self-contained basket with lock-in feature (will not float)
- Pre-installed O-ring for float assembly
- Underwater dampers on the faceplate for noise reduction on weir plate – especially on windy days
- Super strong engineered polymer upper housing
- Extra heavy-duty PVC lower unit (does not require transitional glue)
- 2½" outside slip; 2" inside slip (outside skimmer)
- 2" threads for pressure testing (inside skimmer)
- Built-in overflow or fill line knock-out
- Upper housing has pre-cut rebar cutouts with pre-drilled holes for tie wire
- Additional box inside skimmer box for a basket, float assembly and weir plate (so assembly does not get lost on job site)
- Skimmer Lid and Collar G154 UV tested
- Approved for residential use up to 100 GPM
- Optional custom name/logo engraved on the lid (requires minimum 500 piece lid order)
- Designed to work with all existing fiberglass pool walls
- 1 per case

**Two additional lid options available (sold separately):
square or snap-in round/square**



Optional vacuum plate with snap-in lug can be glued in under lid for easy storage p/n SK43101



Optional BFB adapter converts skimmer fittings to 4" or 3" tee for improved hydraulics and code compliance p/n BFB101

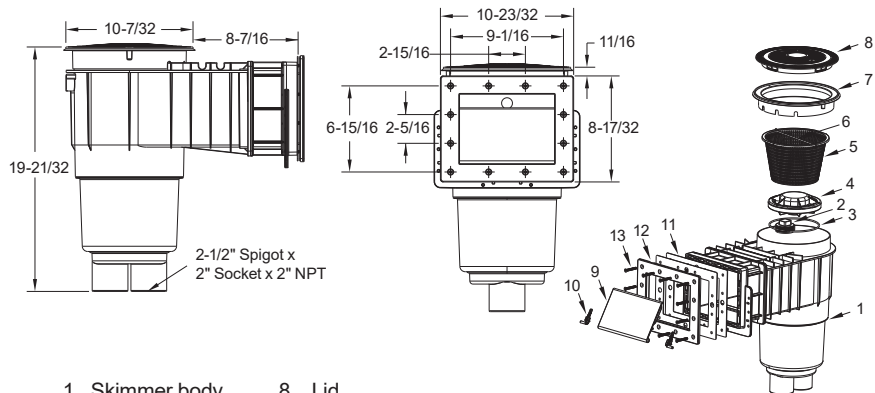
Part # SKRFFL3Nxxx (fiberglass)

STANDARD COLORS

- SKRFFL3N101 – White
- SKRFFL3N102 – Black
- SKRFFL3N103 – Light Gray
- SKRFFL3N105 – Dark Gray
- SKRFFL3N108 – Tan

Without lid/collar – white only
SKRFFL3NNL01 (fiberglass with float assembly)

SPS 3 & NSF 50 Compliant



- | | |
|-------------------|--|
| 1. Skimmer body | 8. Lid |
| 2. 2" Port Plug | 9. Weir Assembly |
| 3. O-Ring | 10. Weir Clip, Qty 2 |
| 4. Float Assembly | 11. Gasket, Extender 9" And 12", Qty 2 |
| 5. Basket | 12. Face Frame, Extender 9" And 12" |
| 6. Skimmer Basket | 13. 12 x 1-3/4" Flat Head Phillips, 316 SS, Qty 12 |
| 7. Collar | |

P 877-768-2717 F 877-276-POOL Outside the US: P +1-949-336-1940 F +1-949-336-1940

info@aquastarpoolproducts.com www.aquastarpoolproducts.com

ADDITIONAL PRODUCT CONFIGURATIONS FOR SKRFFL3Nxxx

9" Ultra Basket

Available 2" Socket Dual-Port,
4" Socket, 6" Socket.

Example: SKRFFL3N101F-L= White
Flow Star™ Skimmer with 6" Socket
Sump and 9" Ultra Basket

1 per case

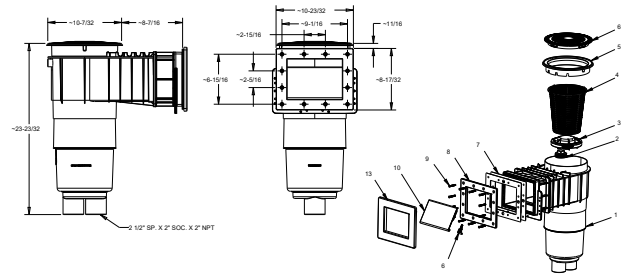
STANDARD COLORS

- SKRFFL3N101-L – White
- SKRFFL3N102-L – Black
- SKRFFL3N103-L – Light Gray
- SKRFFL3N105-L – Dark Gray
- SKRFFL3N108-L – Tan

NEW



Part #
SKRFFL3Nxxx-L



1. Deep Skimmer Body
2. 2" NPT Port Plug
3. Float Assembly
4. 9" Ultra Skimmer Basket
5. Skimmer Collar
6. Skimmer Lid
7. Gasket Extender 9" And 12", Qty 2
8. Face Frame, Extender 9" And 12"
9. 12 x 1-3/4 Flat Head Phillips, 316 SS, Qty 12
10. Weir Door Assembly
11. Weir Door Clips
12. Decorative Cover

Water Bonded

Bonding plate and copper wire
connection meet NEC section
680.2 C.

Conforms to UL 1081, UL 1563,
CAN/CSA-C22.2

Bonding plate is safely placed
behind the skimmer basket, for
constant water contact, even
when the pump is off

1 per case

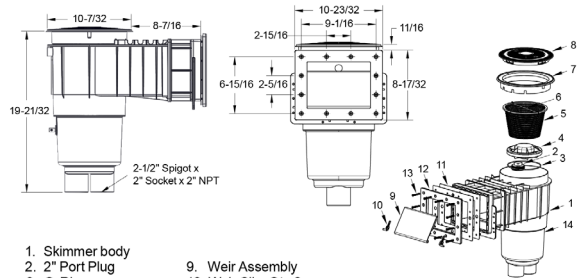
STANDARD COLORS

- 101
- 103
- 105
- 102
- 108

NEW



Standard 9" Ultra Basket
Part # SKRFFL18xxx Part # SKRFFL18xxx-L



1. Skimmer body
2. 2" Port Plug
3. O-Ring
4. Float Assembly
5. Basket
6. Skimmer Basket Rod
7. Collar
8. Lid
9. Weir Assembly
10. Weir Clip, Qty 2
11. Gasket, Extender 9" And 12", Qty 2
12. Face Frame, Extender 9" And 12"
13. 12 x 1-3/4" Flat Head Phillips, 316 SS, Qty 12
14. Bonding Plate Assembly

ADDITIONAL PORT CONFIGURATIONS FOR SKRFFL3Nxxx, SKRFFL3Nxxx-L, SKRFFL18xxx and SKRFFL18xxx-L

4" Socket Sump

Extra heavy duty PVC lower
unit (no transitional glue
required)

Standard
Part # SKRFFL3NxxxD

9" Ultra Basket
Part # SKRFFL3NxxxD-L



1 per case

6" Socket Sump

Extra heavy duty PVC lower
unit (no transitional glue
required)

Standard
Part # SKRFFL3NxxxF

9" Ultra Basket
Part # SKRFFL3NxxxF-L



1 per case

P 877-768-2717 F 877-276-POOL Outside the US: P +1-949-336-1940 F +1-949-336-1940
info@aquastarpoolproducts.com www.aquastarpoolproducts.com

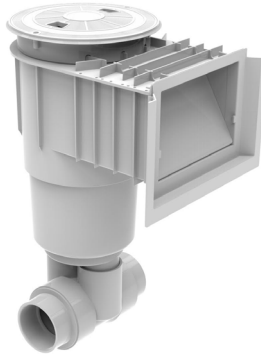
SKIMMER ACCESSORIES

STANDARD COLORS 101 102 103 105 108

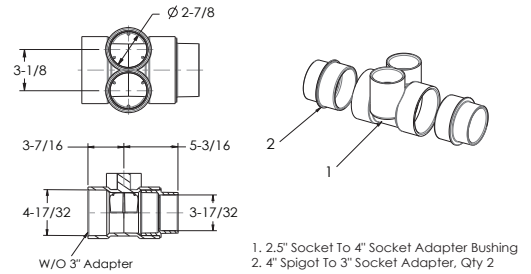
Adaptor Bushing

FEATURES

Eliminates the need to reduce down 4" or 3" plumbing when connecting to a skimmer with a dual-port PVC sump
 Converts two 2½" spigot to 4" or 3" T
 Includes two 4" x 3" reducer bushings
 Shown as an example only – parts are sold separately
 1 per case



Part # SKR1xx with BFB101



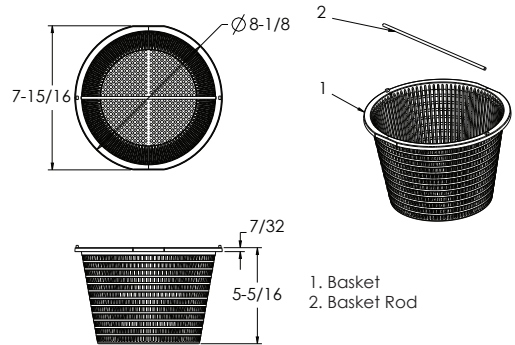
Skimmer Basket

FEATURES

Polypropylene basket locks in to remain in place during on and off pump cycles
 Fits all standard skimmers
 50 per case



Part # SK6



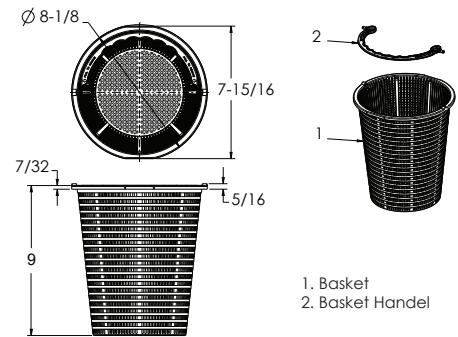
9" Ultra Skimmer Basket

FEATURES

9" polypropylene Ultra Basket locks in to remain in place during on and off pump cycles
 Fits all 9" Ultra Basket models
 50 per case



Part # SK96



P 877-768-2717 F 877-276-POOL Outside the US: P +1-949-336-1940 F +1-949-336-1940
 info@aquastarpoolproducts.com www.aquastarpoolproducts.com

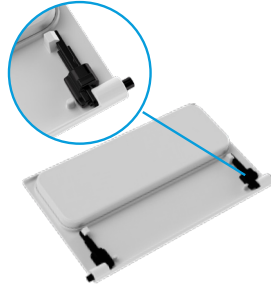
SKIMMER ACCESSORIES

STANDARD COLORS 101 102 103 105 108

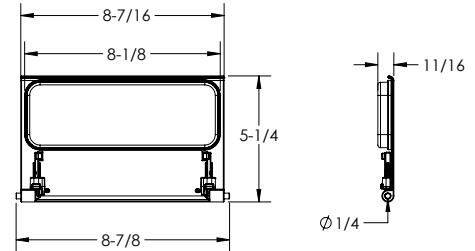
Weir Plate Assembly for Standard & Vinyl/Fiberglass Skimmers

FEATURES

Includes weir clip locks to secure weir clips in place
Also available only weir clips, part # SK902
24 per case



Part # SKWDxxx



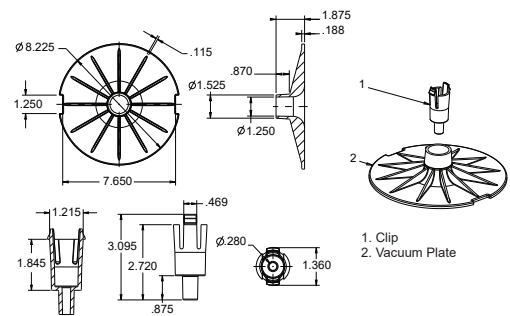
Vacuum Plate

FEATURES

Snaps under skimmer lid for easy storage
White only
25 per case



Part # SK43101



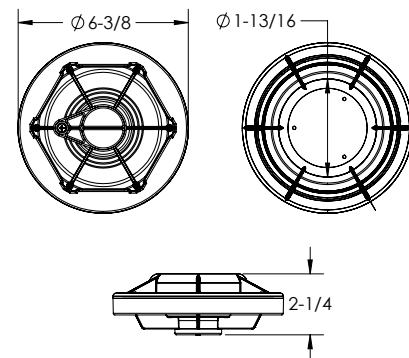
Float Assembly

FEATURES

Includes O-ring gasket and flow adjustment flap
White only
24 per case



Part # SKFL101



SKIMMER ACCESSORIES

STANDARD COLORS 101 102 103 105 108

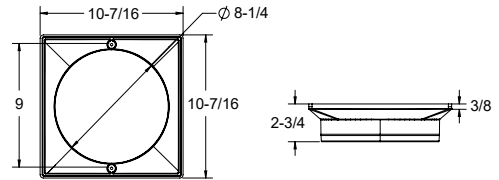
Square Skimmer Collar

FEATURES

Adjustable collar levels out uneven surfaces
Fits AquaStar and most standard skimmers (Sta-Rite/Pentair)
6 per case



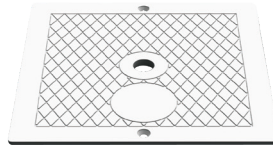
Part # SK61xxx



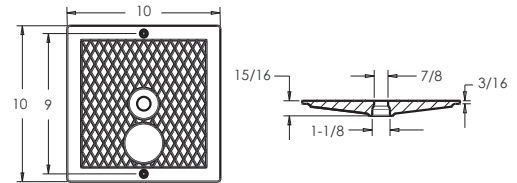
Square Skimmer Lid

FEATURES

UV tested to latest standard
Optional custom name/logo insert p/n SK63xxxA (minimum 500-piece order)
Fits AquaStar and most standard square skimmer collars (Sta-Rite/Pentair)
24 per case



Part # SK63xxx



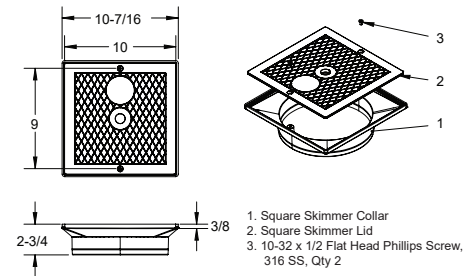
Square Skimmer Lid and Collar

FEATURES

UV tested to latest standard features
Optional custom name/logo insert p/n SK64xxxA (minimum 500 piece order)
Fits AquaStar and most standard skimmers (Sta-Rite/Pentair)
6 per case



Part # SK64xxx



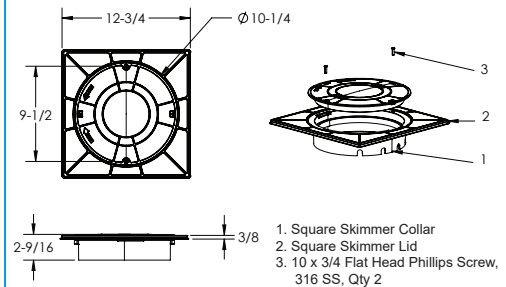
Round/Square Snap-in Lid and Collar

FEATURES

Round lid snaps into square housing
UV tested to latest standard
Optional custom name/logo insert p/n SK65xxxA (minimum 500-piece order)
Fits AquaStar and most standard skimmers (Sta-Rite/Pentair)
8 per case



Part # SK65xxx



P 877-768-2717 F 877-276-POOL Outside the US: P +1-949-336-1940 F +1-949-336-1940
info@aquastarpoolproducts.com www.aquastarpoolproducts.com

SKIMMER ACCESSORIES

STANDARD COLORS 101 102 103 105 108

Round Skimmer Lid

FEATURES

UV tested to latest standard

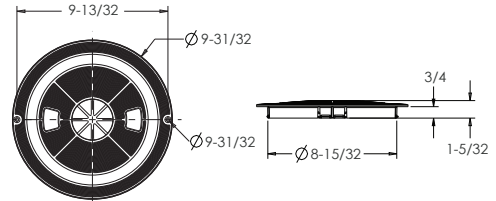
Optional custom name/
logo insert p/n RTxxxA
(min 500 piece order)

Fits AquaStar and most standard round
skimmer collars (Sta-Rite/Pentair)

25 per case



Part # RTxxx



Adjustable Round Skimmer Collar

FEATURES

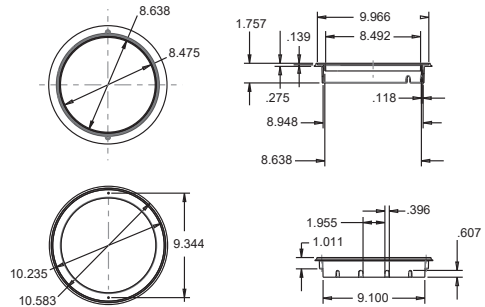
Adjustable collar levels
out uneven surfaces

Fits AquaStar and most standard
skimmers (Sta-Rite/Pentair)

20 per case



Part # SK5xxx



Round Skimmer Lid and Collar

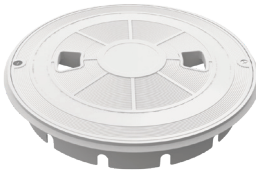
FEATURES

UV tested to latest standard

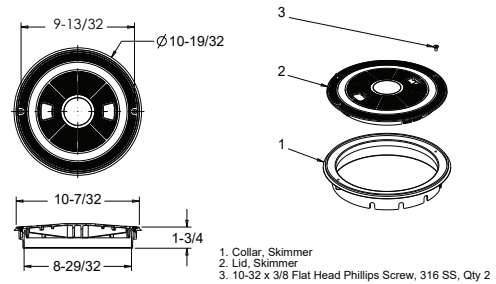
Optional custom name/logo insert p/n
SKRTxxxA (min 500 piece order)

Fits AquaStar and most standard
skimmers (Sta-Rite/Pentair)

25 per case



Part # SKRTxxx



3" Skimmer Extension Collar

FEATURES

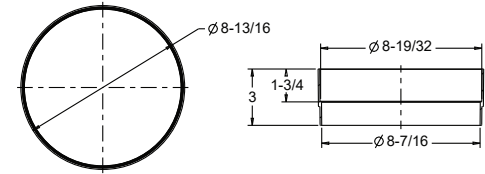
Stack multiple collars to reach desired
deck or bond beam height

Fits into AquaStar and most standard
round skimmer collars (Sta-Rite/Pentair)

20 per case



Part # SECxxx



P 877-768-2717 F 877-276-POOL Outside the US: P +1-949-336-1940 F +1-949-336-1940

info@aquastarpoolproducts.com www.aquastarpoolproducts.com