

FLOW STAR® SKIMMER WITH FLUSH FACE 4" EXTENSION, FLOAT ASSEMBLY, BASKET, LID AND COLLAR



Built in conformance with NSF 50 and SPS 3 standards



FEATURES

Adjustable collar

New weir clip lock secures the clips in the weir door

Large self-contained basket with lock-in feature (will not float)

Underwater dampers on the faceplate for noise reduction on weir plate – especially on windy days

Super strong engineered polymer upper housing

Extra heavy duty PVC lower unit (no transitional glue required)

2½" outside slip and 2" inside slip (outside skimmer)

2" threads for pressure testing (inside skimmer)

1" built-in overflow or fill line knock-out

Upper housing has pre-cut rebar cutouts with pre-drilled holes for tie wire

Skimmer Lid and Collar G154 UV tested

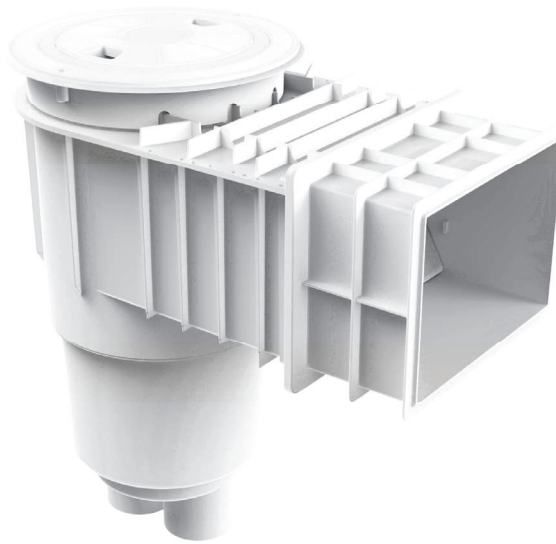
NSF 50 approved for commercial use, 25 GPM min, 55 GPM max – approved for residential use up to 100 GPM

See page 212 for code compliance and sizing

Optional custom name/logo engraved on the lid (requires minimum 500 piece lid order)

1 per case

Three lid options available (sold separately): round, square or snap-in round/square



Optional vacuum plate with snap-in lug can be glued in under lid for easy storage p/n SK43101



Optional BFB adapter converts skimmer fittings to 4" or 3" tee for improved hydraulics and code compliance p/n BFB101

Part # SKR14xxx

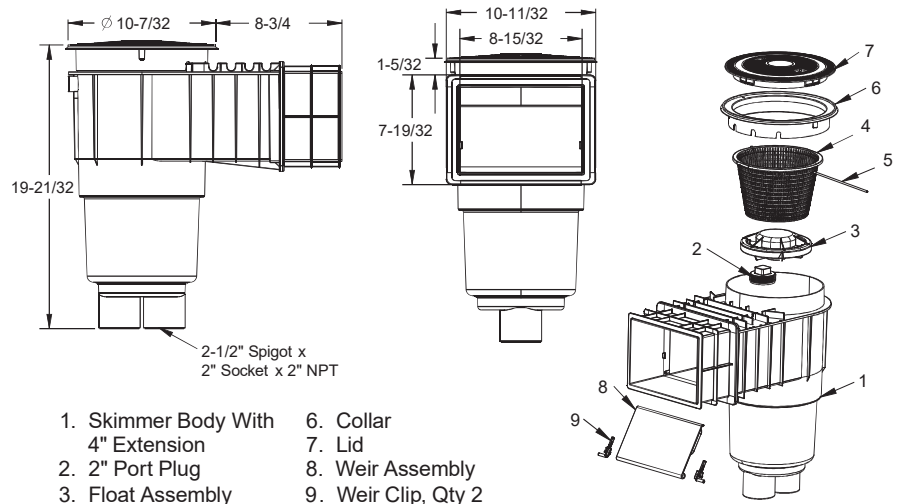
For vinyl and fiberglass options, see pages 138-143

STANDARD COLORS

- SKR14101 – White
- SKR14102 – Black
- SKR14103 – Light Gray
- SKR14104 – Blue
- SKR14105 – Dark Gray
- SKR14108 – Tan

Snap-in Round/Square Lid and Collar (sold separately) p/n SK65xxx

Square Lid and Collar (sold separately) p/n SK64xxx



- | | |
|-----------------------------------|---------------------|
| 1. Skimmer Body With 4" Extension | 6. Collar |
| 2. 2" Port Plug | 7. Lid |
| 3. Float Assembly | 8. Weir Assembly |
| 4. Basket | 9. Weir Clip, Qty 2 |
| 5. Basket Rod | |

ADDITIONAL PRODUCT CONFIGURATIONS FOR SKR14xxx

9" Ultra Basket

Available 2" Socket Dual-Port,
4" Socket, 6" Socket

Example: SKR14101D-L= White
Flow Star® Skimmer with 4"
Socket Sump and 9" Ultra Basket

1 per case

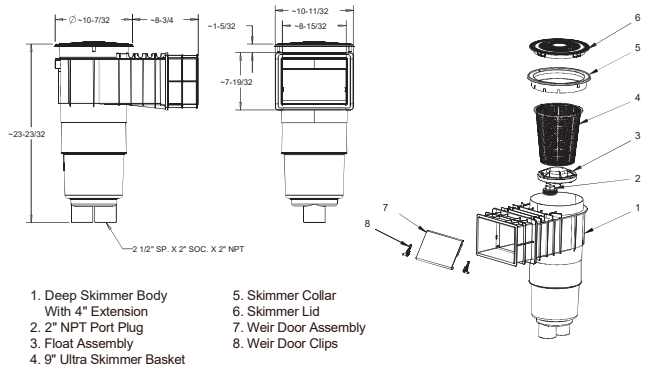
STANDARD COLORS

- SKR14101-L – White
- SKR14102-L – Black
- SKR14103-L – Light Gray
- SKR14104-L – Blue
- SKR14105-L – Dark Gray
- SKR14108-L – Tan

NEW



Part #
SKR14xxx-L



1. Deep Skimmer Body With 4" Extension
2. 2" NPT Port Plug
3. Float Assembly
4. 9" Ultra Skimmer Basket
5. Skimmer Collar
6. Skimmer Lid
7. Weir Door Assembly
8. Weir Door Clips

Water Bonded

Bonding plate and copper wire connection meet NEC section 680.2 C.

Conforms to UL 1081, UL 1563, CAN/CSA-C22.2

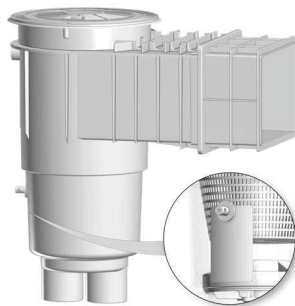
Bonding plate is safely placed behind the skimmer basket, for constant water contact, even when the pump is off

1 per case

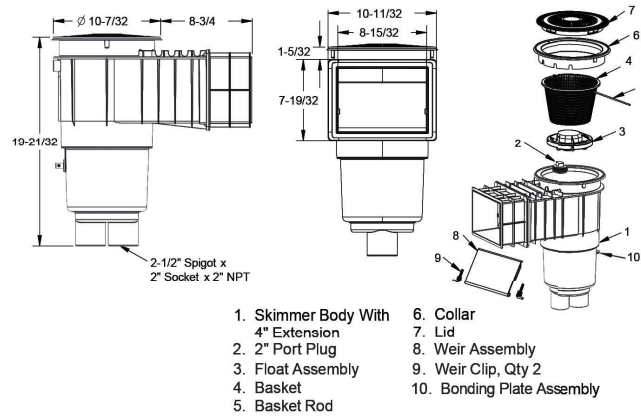
STANDARD COLORS

- 01
- 03
- 05
- 02
- 04
- 08

NEW



Standard Part # SKR32xx
9" Ultra Basket Part # SKR32xx-L



1. Skimmer Body With 4" Extension
2. 2" NPT Port Plug
3. Float Assembly
4. Basket
5. Basket Rod
6. Collar
7. Lid
8. Weir Assembly
9. Weir Clip, Qty 2
10. Bonding Plate Assembly

ADDITIONAL PORT CONFIGURATIONS FOR SKR14xxx, SKR14xxx-L, SKR32xx, and SKR32xx-L

4" Socket Sump

Extra heavy duty PVC lower unit (no transitional glue required)

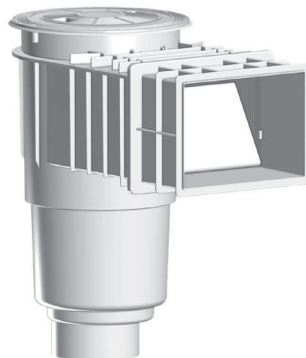
Standard
Part # SKR14xxxD

9" Ultra Basket
Part # SKR14xxxD-L

Water Bonded
Part # SKR32xxD

Bonded 9" Ultra Basket
Part # SKR32xxD-L

1 per case



6" Socket Sump

Extra heavy duty PVC lower unit (no transitional glue required)

Standard
Part # SKR14xxxF

9" Ultra Basket
Part # SKR14xxxF-L

Water Bonded
Part # SKR32xxF

Bonded 9" Ultra Basket
Part # SKR32xxF-L

1 per case



SKIMMER OPTIONS AND ACCESSORIES

STANDARD COLORS  101  102  103  104  105  108

Adaptor Bushing



Eliminates the need to reduce down 4" or 3" plumbing when connecting to a skimmer with a dual-port PVC sump

Converts two 2½" spigot to 4" or 3" T

Includes two 4" x 3" reducer bushings

Shown as an example only – parts are sold separately

Part # SKR1xx with BFB101

1/case

Skimmer Basket



Polypropylene basket locks in to remain in place during on and off pump cycles

Fits all standard skimmers

Part # SK6

50/case

9" Ultra Skimmer Basket



9" polypropylene Ultra Basket locks in to remain in place during on and off pump cycles

Fits all 9" Ultra Basket models

Part # SK96

50/case

3" Skimmer Extension Collar



Stack multiple collars to reach desired deck or bond beam height

Fits into AquaStar and most standard round skimmer collars (Sta-Rite/Pentair)

Part # SECxxx

20/case

Float Assembly



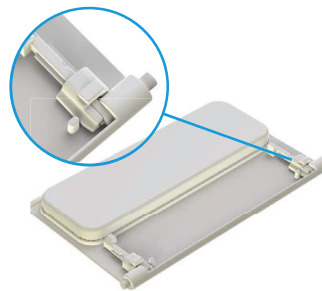
Includes O-ring gasket and flow adjustment flap

White only

Part # SKFL101

24/case

Weir Plate Assembly for Standard & Vinyl/Fiberglass Skimmers



Includes weir clip locks to secure weir clips in place

Also available only weir clips
Part # SK902

Part # SKWDxxx

24/case

SKIMMER OPTIONS AND ACCESSORIES

STANDARD COLORS  101  102  103  104  105  108

Round Skimmer Lid



UV tested to latest standard
Optional custom name/
logo insert p/n RTxxxA
(min 500 pc order)
Fits AquaStar and most
standard round skimmer
collars (Sta-Rite/Pentair)

Part # RTxxx

25/case

Adjustable Round Skimmer Collar



Adjustable collar levels
out uneven surfaces
Fits AquaStar and most
standard skimmers
(Sta-Rite/Pentair)

Part # SK5xxx

20/case

Round Skimmer Lid and Collar

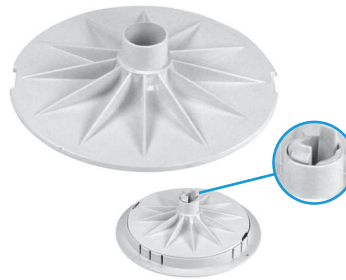


UV tested to latest standard
Optional custom name/logo
insert p/n SKRTxxxA
(min 500 pc order)
Fits AquaStar and most
standard skimmers
(Sta-Rite/Pentair)

Part # SKRTxxx

25/case

Vacuum Plate

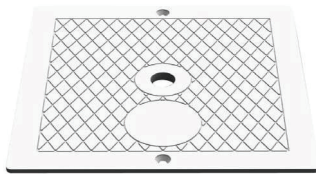


Snaps under skimmer lid
for easy storage
White only

Part # SK43101

25/case

Square Skimmer Lid



UV tested to latest standard
Optional custom name/
logo insert p/n SK63xxxA
(minimum 500-piece order)
Fits AquaStar and most
standard square skimmer
collars (Sta-Rite/Pentair)

Part # SK63xxx

24/case

Square Skimmer Collar



Adjustable collar levels
out uneven surfaces
Fits AquaStar and most
standard skimmers
(Sta-Rite/Pentair)

Part # SK61xxx

6/case

Square Skimmer Lid and Collar



UV tested to latest standard
features
Optional custom name/
logo insert p/n SK64xxxA
(minimum 500-piece order)
Fits AquaStar and most
standard skimmers
(Sta-Rite/Pentair)

Part # SK64xxx

6/case

Round/Square Snap-in Lid and Collar



Round lid snaps into square
housing
UV tested to latest standard
Optional custom name/
logo insert p/n SK65xxxA
(minimum 500-piece order)
Fits AquaStar and most
standard skimmers
(Sta-Rite/Pentair)

Part # SK65xxx

8/case