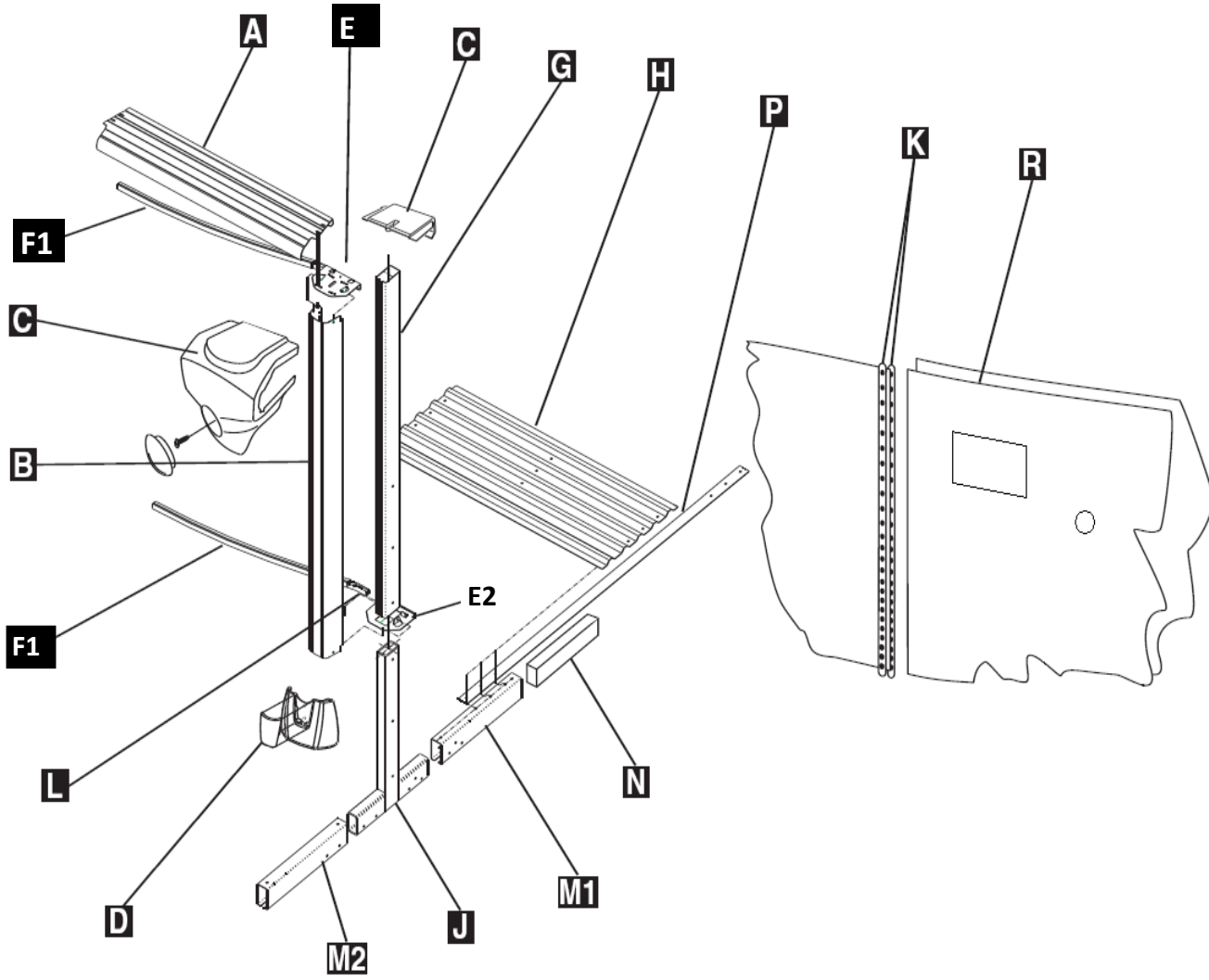


Ohana STR
PZEN-YE52SSPSPSB11
Yard Extender
Oval



				Quantity required for installation (by pool size)			
Index#	Description	Part #	Length	1223	1526	1530	1833
A	Top ledge 44"	ART211-1295044	44,000"	8	8	10	10
A	Top ledge 45"	ART211-1295045	45,000"	8			
A	Top ledge 48"	ART211-1295048	48,000"		10	10	
A	Top ledge 49"	ART211-1295049	49,750"				12
B	Upright	ART711-R12954M	51,750"	16	18	20	22
C	Ledge cover	AR211-23120ABC		16	18	20	22
D	Foot cover	AR711-23300AC		16	18	20	22
E	Top plate (round sections)	21120A		20	24	24	28
E1	Top plate (straight sections)	21134		6	6	8	8
E2	Bottom plate (straight sections)	21124		6	6	8	8
F1	Stabilizer 38"	1254138	38,000"	4	4	6	6
F1	Stabilizer 41"	1254141	41,000"	4	4	4	4
F1	Stabilizer 45"	1254412	44,750"	8			
F1	Stabilizer 47"	1254715	47,750"		10	10	
F1	Stabilizer 49"	1254918	49,125"				12
F2	Bottom Rail 49"	LA1254918	49,125"				12
F2	Bottom Rail 38"	LA1254138	38,000"	4	4	6	6
F2	Bottom Rail 41"	LA1254141	41,000"	4	4	4	4
F2	Bottom Rail 45"	LA1254412	44,750"	8			
F2	Bottom Rail 47"	LA1254715	47,750"		10	10	
G	Vertical sleeve	20506	51,000"	6	6	8	8
H	Brace plate	20809	47,000"	4	4	6	6
J	T unit	20801		6	6	8	8
K	Steel bars	11823	52,000"	2	2	2	2
L	Junction Bottom Rail	12539		24	24	32	32
M1	Horizontal sleeve with pen	20810	17,000"	6	6	8	8
M2	Horizontal sleeve without pen	20802	17,000"	6	6	8	8
N	Extruded polystyrene piece	1000100		6	6	8	8
P	Steel strap 26"	20526		3			8
P	Steel strap 60"	20560		6	9	12	12
R	Wall			1	1	1	1
	Hardware bag for pool	SACV12X34-164	#12 screws 3/4"	1			
	Hardware bag for pool	SACV12X34-184	#12 screws 3/4"		1		
	Hardware bag for pool	SACV12X34-204	#12 screws 3/4"			1	
	Hardware bag for pool	SACV12X34-225	#12 screws 3/4"				1
	Hardware bag for wall	1050000054		1	1	1	1
	Additional hardware bag	SACSJF-4				2	2
	Additional hardware bag	SACSJF-6		1	1		
	Bolt hex 1/4"-20 X 2 1/2"	B14X20X212		49	49	66	66
	Bolt 3/8"-16 X 3/4"	B38X16X34		37	37	50	50
	Nut 1/4"-20	N14X20		49	49	66	66
	Nut 3/8" X 16	N38X16S		19	19	26	26
	Bag screws crowns	SACVCP-POV	#12 screws 1/2"	2	2	2	3
	Instruction DVD	SACWBI36876		1	1	1	1