

# FILL-LID STANDARD 10" SKIMMER COVER AND FRAME



Make your skimmer or autofill cover vanish



## FEATURES

Unique fillable lid allows cover to virtually disappear with every deck finish.

Adjustable frame levels out uneven surfaces

Made with super strong engineered polymer tested to the latest GV154 UV standard

Internal tabs keep finish in place

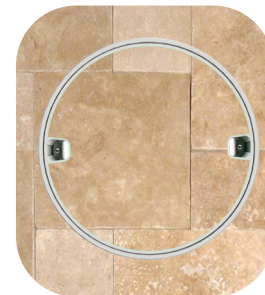
316 stainless steel screws

Fits AquaStar and most standard skimmers (Sta-Rite/Pentair)

6 per case

**NEW**

Fits all AquaStar skimmers and autofills and most standard skimmers (Sta-Rite/Pentair)

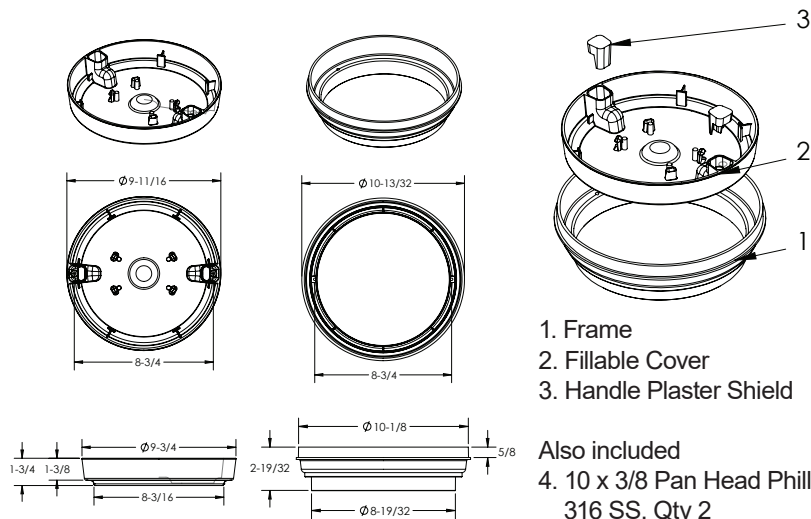


Virtually disappears with every deck finish

Part # FL10xxx

## STANDARD COLORS

- FL10101 – White
- FL10103 – Light Gray
- FL10108 – Tan
- FL10100 – Clear



1. Frame
2. Fillable Cover
3. Handle Plaster Shield

Also included  
4. 10 x 3/8 Pan Head Phillips, 316 SS, Qty 2