



ProLED

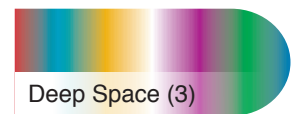
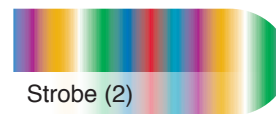
**Color Changing
LED NICHELESS POOL/SPA LIGHT**

Halco's ProLED® Color Changing LED Nicheless Pool & Spa Lights feature multiple colors and light shows to turn your pool into a backyard oasis. The wide beam spread LED's help distribute the light evenly throughout the pool. The Halco ProLED® Nicheless Pool & Spa Light is flush mounting and does not require a bulky niche or special housing for mounting. The Light is designed to fit into most 1.5" pool wall fittings making it very easy and quick to install. They operate effectively with most popular automation systems such as Pentair® and Jandy® as well as the lights can be controlled with a simple on/off switch. They can be installed on the floor or wall, making it the perfect light for any location in a pool or spa.

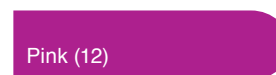
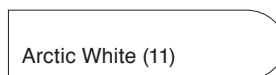
Features:

- Color Changing
- RGB + White
- Long Life LED
- Multiple Performance Options
- No Niche Required
- Fits Standard 1.5" Return Fittings
- 12 Volt

Seven Light Shows



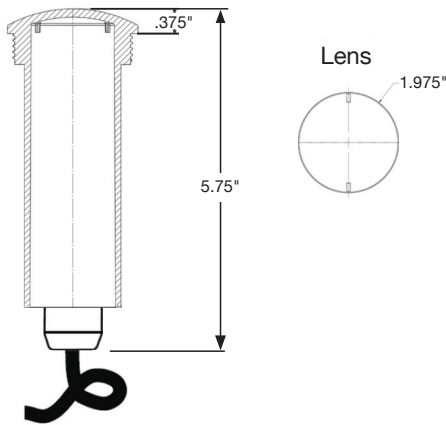
Five Solid Colors



ProLED®

Color Changing LED NICHELESS POOL/SPA LIGHT

Dimensions



Color Changing Instructions (when controlled with a light switch)

Power Cycle:

The action of turning the light fixture power switch off/on.

Change Light Show/Solid Color:

Power cycle the corresponding number of times shown next to the light show/solid colors.

Color Lock (Lock on color while in light show):

Power cycle thirteen (13) times.

Return (Return to last saved Color Lock):

Power cycle fourteen (14) times.

Reset/Synchronize:

Power cycle the corresponding number of times shown next to the light show/solid colors.

Note: During power cycle selection process, before the desired light show or color is displayed, there will be a moment without illumination. This is a normal function.

Technical Specifications

Voltage	12VAC
Max. Wattage	FLCN-12-8 Model: 8W FLCN-12-20 Model: 20W
LED Color	RGB-W (red, green, blue, cool white)
Housing	UV Rated Polycarbonate
Lens	UV Rated Polycarbonate (Clear)
Cord Type	18/2 SJTW
Cord Lengths	30' 50' 100' 150'



Ordering Information

Part number example: FLCN-12-8-50

Model	Voltage	Wattage	Cord Length (in feet)
FLCN	12	insert code into box	insert code into box
		8 for 8W version	50
		20 for 20W version	100
			150

Halco Lighting Technologies 2940 Pacific Drive, Norcross, GA 30071 | Halco ProLED® Pool Customer Service: 1.800.374.1927

© 2020 Halco Lighting Technologies, LLC. All rights reserved. Halco and ProLED are registered trademarks of Halco Lighting Technologies. All registered and trademarked brands and names are the property of their respective companies. All sizes and specifications are subject to change. 7.24.20.