



ProLED®

White LED NICHELESS POOL LIGHT

Halco's ProLED® White LED Nicheless Pool & Spa Lights feature a bright white light that enhances the overall appearance of your pool. The Halco ProLED® Nicheless Pool & Spa Light is flush mounting and does not require a bulky niche or special housing for mounting. The light is designed to fit into most 1.5" pool wall fittings, making it very easy and quick to install. It can be installed on the floor or wall, making it the perfect light for any location in a pool or spa.

Features:

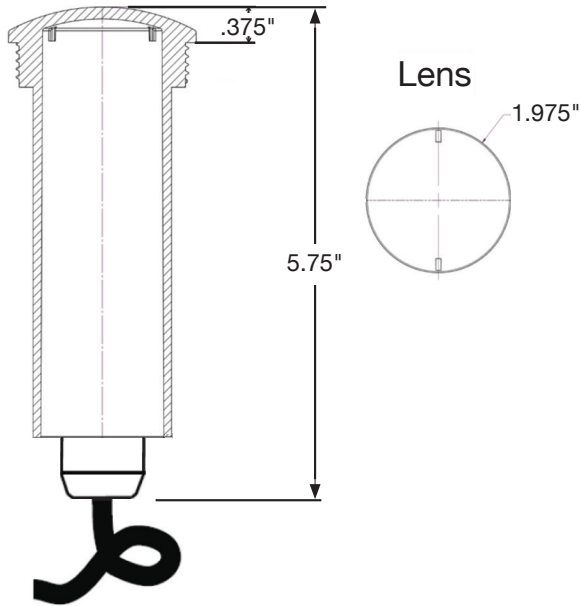
- Cool White Color
- Enhances Water Appearance
- Long Life LED
- Multiple Performance Options
- No Niche Required
- Fits Standard 1.5" Return Fittings
- 12 Volt



White

LED NICHELESS POOL LIGHT

Dimensions



Technical Specifications

Voltage	12VAC
Max. Wattage / Lumens	FLWN-12-8 Model: 8W / 570 lumens FLWN-12-20 Model: 20W / 1020 lumens
LED Color	Cool White (6500K)
Housing	UV Rated Polycarbonate
Lens	UV Rated Polycarbonate (Clear)
Cord Type	18/2 SJTW
Cord Lengths	50' 100' 150'

Ordering Information

Part number example: FLWN-12-8-100

Model	-	Voltage	-	Wattage	-	Cord Length (in feet)
FLWN		12				
				insert code into box		insert code into box
				8 for 8W version		50
				20 for 20W version		100
						150