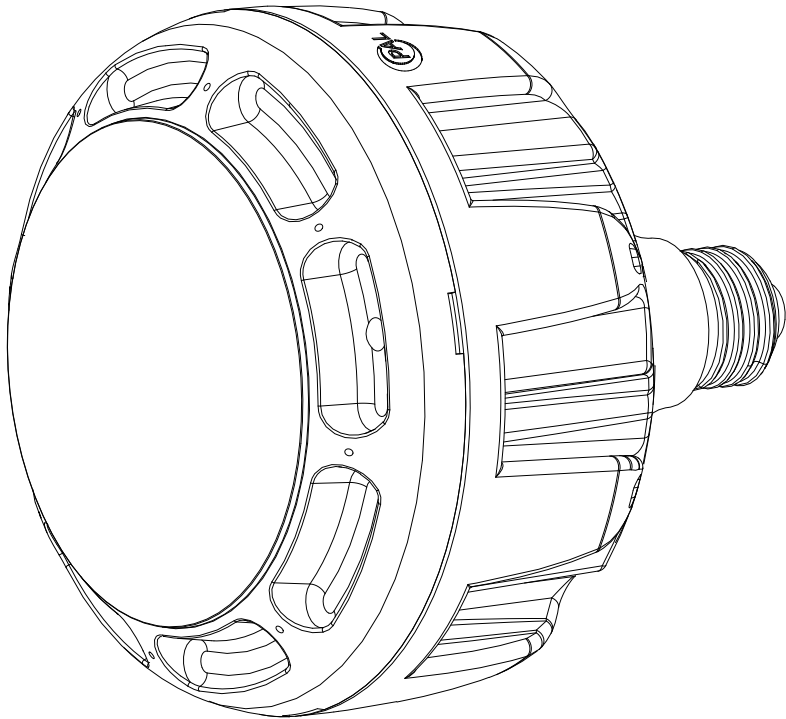




LIGHTING



SONAR RETRO BULB INSTALLATION MANUAL

CONTENTS

PAGE	
2	Guides and Warnings
3	Nicheless Installation
6	Connecting Light
7	Connecting to driver
8	Troubleshooting
8	Terms and Conditions

GUIDES AND WARNINGS

Tools Required:

Phillips Head No. 2 Screw Driver

IMPORTANT INFORMATION:

THIS DEVICE IS NOT INTENDED FOR USE WITH EMERGENCY EXITS OR NOT FOR EMERGENCY LIGHTING.

ENSURE LIGHT VOLTAGE MATCHES POWER SUPPLY VOLTAGE BEFORE CONNECTING ANY LIGHT. MISMATCHED VOLTAGE MAY RESULT IN CATASTROPHIC FAILURE OF LIGHT (VOIDING WARRANTY) AND/OR ELECTRICAL SHOCK AND SERIOUS BODILY HARM. PAL LIGHTING ACCEPTS NO RESPONSIBILITY FOR INCORRECTLY INSTALLED LIGHTS.

1) Ensure that the electrical system for your pool conforms with all the requirements of the National Electrical Code (NEC) and all relevant local codes and ordinances.

2) This Underwater Light must be installed in accordance with the National Electrical Code by a Certified Electrician or a Qualified Pool Technician. NOTE: No Bonding Terminal is required on the forming shell since the fixture is an all plastic construction and complies with NEC article 680 Requirements.

To be certain that the pool or spa electrical system meets all applicable requirements, the electrician should also consult the local building department.

CANADIAN INSTALLATION

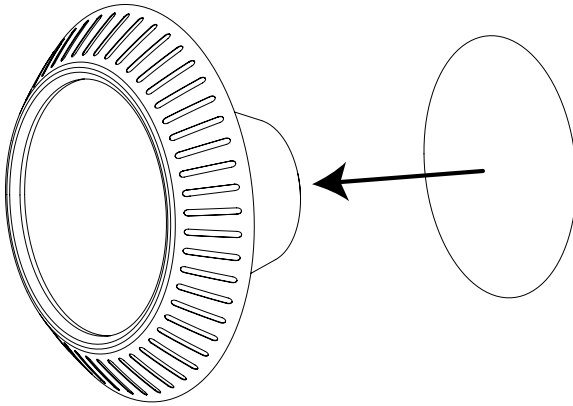
Be sure the electrical system of your pool conforms with the following requirements of the Canadian Electrical Code (CEC), CSA C22.1 and all local codes and ordinances. A licensed or certified electrician must install the electrical system to meet or exceed those requirements before the light and (fixture-housing) is installed. Failure to do so could result in death or serious injury to service technician, pool users or others due to electrical shock.

BULB INSTALLATION

STEP 1

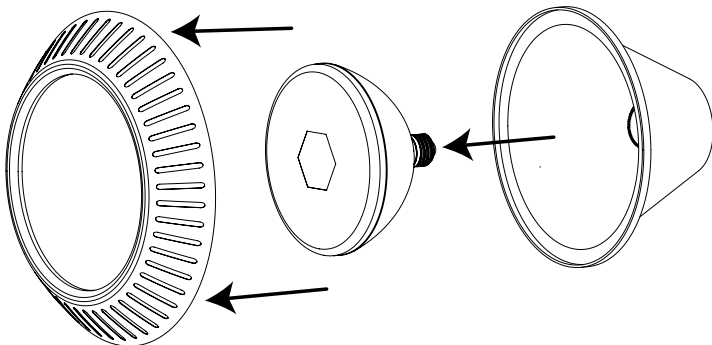
Turn power off at the circuit breaker, then remove the existing light fixture from the pool light niche and place it on the pool deck.

(DO NOT change light underwater)



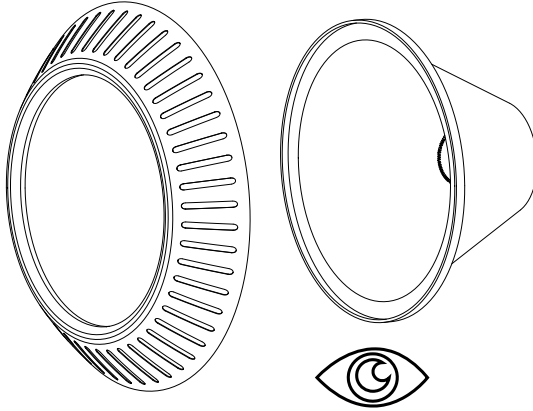
STEP 2

While the fixture is out of the pool and the lens is off, Replace the tensioning bulb or other fasteners if stripped or damaged. After inspection, unscrew the old bulb and remove.



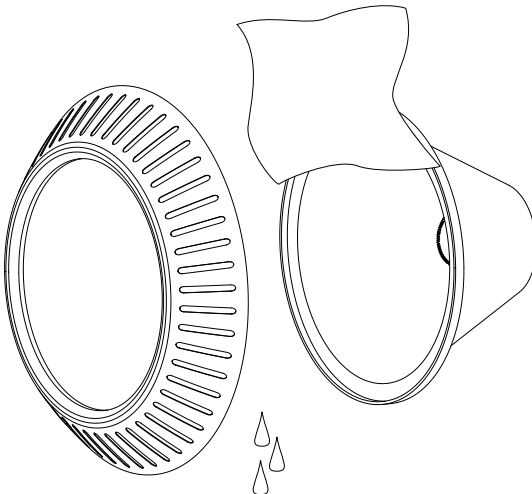
STEP 3

Check the light housing for damage. Inspect the rubber seal where the power cord enters the housing for leaks or deterioration. Check the surface area where the lens and rubber gasket sits for imperfections.



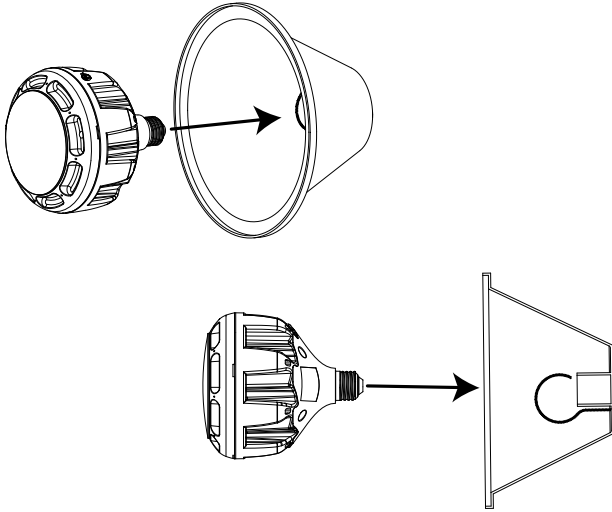
STEP 4

Make sure the inside of the light housing is completely dry.



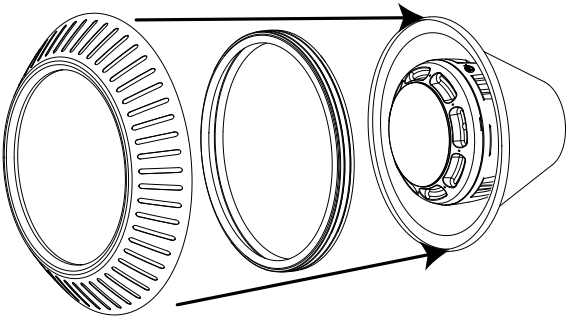
STEP 5

Install PAL Bulb



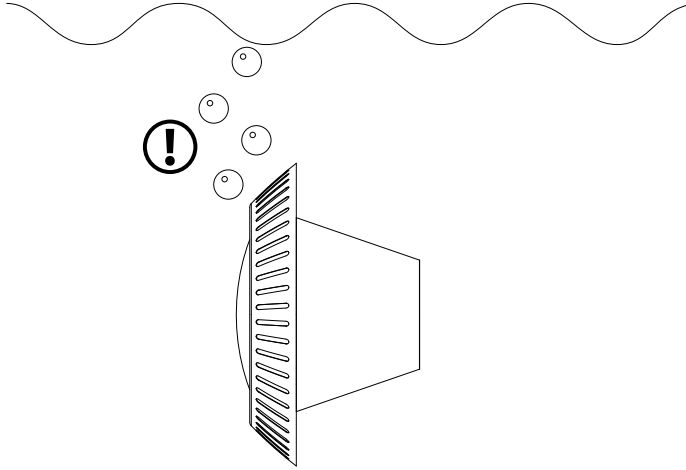
STEP 6

Its highly recommended to install a new lens gasket. If not sealed correctly this could result in a leak that can damage the and cause serious injury or death due to electrical shock. Install your new replacement gasket onto the glass lens. Set the lens and cover plate on the light housing and secure by tightening the screws and/or cbulb, allowing the gasket to seal evenly.



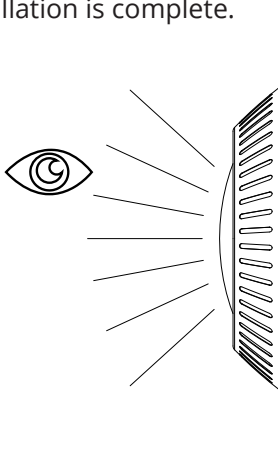
STEP 7

Submerge the assembled light fixture in the water and visually check that air bubbles are not escaping from the gasket area or at the power cord entrance. If bubbles appear, immediately remove the light fixture from the water and re-seat the gasket and lens. Continue the installation only if there are no air leaks.



STEP 8

Turn power ON to the Bulb at the main panel. With the light ON, check for air bubbles exiting the light fixture. Leave the Bulb on for 30 minutes and continue to inspect. If there are no air bubbles, the fixture is watertight and installation is complete.



REMOTE PROGRAMMING

Linking Lights to Zones:

Within 3 seconds of turning light on, press desired zone number '1 button' 3 times. Once linked, light(s) will flash 3 times.

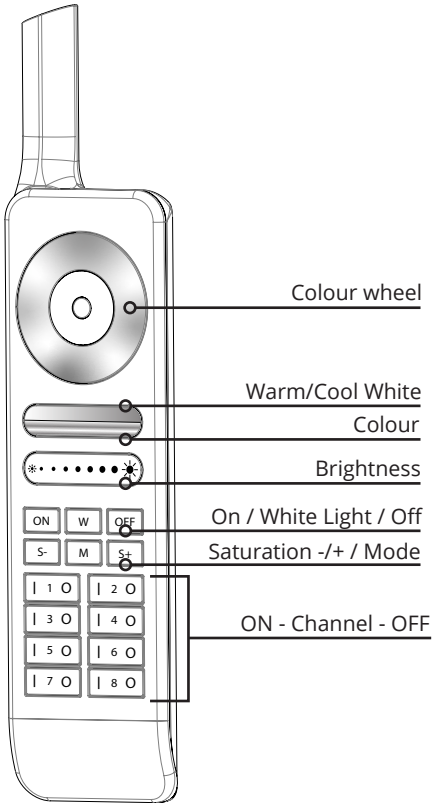
Cloning Modes:

Within 3 seconds of turning light on, press and hold '1 button' on required channel:

- Channel 1 - PAL
- Channel 2 - Jandy
- Channel 3 - Hayward
- Channel 4 - Pentair
- Channel 5 - Astral

Unlinking from Zones:

Within 3 seconds of turning light on, press the channel zone number's '1 button' that the light is currently linked to 5 times. Light will flash 9 times quickly to confirm it has been unlinked.



TERMS AND CONDITIONS

PAL PRODUCT WARRANTY DETAILS

The PAL product is guaranteed against defects in materials and/or workmanship, under normal domestic use for (3) Three Years

Except as otherwise provided for by law, this guarantee becomes invalid if in the opinion of the Company the product has been misused, abused, damaged in transit, incorrectly installed, or connected to an electrical supply not corresponding with the products specification or a non-approved PAL power supply.

The Company is not responsible for forwarding freight charges or losses in transit.

If any part of the product proves to be defective within the warranty period, the defective part will be repaired or replaced, free of charge and at the discretion of PAL Lighting.

PAL Lighting shall not be liable for any loss of profits or any consequential, indirect or special loss, damage or injury of any kind whatsoever arising directly or indirectly from PAL Lighting products. This limitation does not apply to any liability under the Australian or New Zealand consumer legislation.

PLEASE REGISTER YOUR PRODUCT WARRANTY DETAILS ONLINE AT:

www.palighting.com/product-registration OR You MUST retain some proof of purchase to provide evidence of the DATE of the original purchase.



LIGHTING

www.palighting.com
info@palighting.com



Product info