

**J&J ELECTRONICS, LLC 3-YEAR LIMITED WARRANTY
COLORSPASH® VÜ AND PUREWHITE VÜ 1.5”
NICHELESS POOL/SPA LIGHT FIXTURE**

J&J Electronics, LLC (“J&J”) warrants its LED in-ground light fixtures to be free from defects in material and workmanship, under normal use, conditions and service, from the date of purchase and warrants its products as follows:

Product Line	Structural Housing	LED Module
ColorSplash VÜ Fixture	Three (3) Year	Three (3) Year*
PureWhite VÜ Fixture	Three (3) Year	Three (3) Year*

*If during the first twenty-four (24) months of the warranty period, the LED Module fails to operate due to a defect in material or workmanship, J&J will, at its option, repair or replace fixture at no charge. If during months twenty-five (25) through thirty-six (36), the LED Module fails to operate due to a defect in material or workmanship, J&J will grant the purchaser a pro-rated credit for purchase of a J&J LED Light Fixture, as the purchaser’s sole remedy.

TERMS AND CONDITIONS

This warranty is available to the original purchaser of the product(s) only. This warranty applies only when products are properly installed; any other use voids the warranty. This warranty does not apply to any abnormal use of product(s), use in violation of any applicable standard, code or instructions for use in installations including those contained in the latest National Electrical Code (NEC), the Standards for Safety of Underwriters Laboratory, Inc. (UL), Standards for the American National Standards Institute (ANSI). This warranty will not apply in the event of conditions demonstrating abnormal use or stress, under/over voltage/current conditions, excessive switching cycles or outside the recommended operating conditions. This warranty does not cover damage occurring during shipment, damage or failure resulting from alteration, accident, acts of God, theft, abuse, negligent installation, improper service, unauthorized repairs, freezing or where adequate care has not been taken to prevent damage to the product(s). Tampering with any internal component of this product(s) will void the warranty.

This warranty gives you specific rights. You may have other rights that vary according to the laws of your state.

LIMITATION OF LIABILITY

THE FOREGOING SHALL CONSTITUTE THE EXCLUSIVE REMEDY OF THE PURCHASER AND IS IN LIEU OF ALL OTHER WARRANTIES, WHETHER EXPRESS OR IMPLIED, INCLUDING ALL WARRANTIES OF MERCHANTABILITY OR FITNESS FOR A PARTICULAR PURPOSE, AND ALL WARRANTIES ARISING FROM COURSE OF DEALING OR USAGE OR TRADE. THE LIABILITY OF J&J UNDER THIS WARRANTY SHALL BE LIMITED TO THE REPLACEMENT, REPAIR OR CREDIT OF THE PRODUCT(S) AS STATED HEREIN. J&J IS NOT RESPONSIBLE FOR SHIPPING OR TRANSPORTATION COSTS RELATED TO OBTAINING WARRANTY SERVICE. IN NO EVENT SHALL J&J BE LIABLE FOR ANY OTHER COSTS OR DAMAGES, INCLUDING LOST PROFITS OR REVENUES, LABOR CHARGES OR FOR ANY INCIDENTAL, SPECIAL OR CONSEQUENTIAL DAMAGES.

J&J reserves the right to change the warranty and/or warranty period without prior notice and without incurring obligation.

To obtain warranty service, retain the failed Product; retain the installation invoice showing product purchase price and contact J&J Electronics, LLC at 800.735.4553 ext. 242 or warranty@jandjelectronics.com. As of 09/09/2019



Irvine, California | www.jandjpoolspa.com

© 2019 J&J Electronics, LLC All rights reserved. ColorSplash® and PureWhite® are trademarks of and manufactured by J&J Electronics, LLC. All registered and trademarked brands and names are the property of their respective companies. REV. 091719



**Installation and
Operation Guide**

**LED 1.5” Nicheless Underwater
Pool & Spa Light Fixture**



**IMPORTANT SAFETY INSTRUCTIONS
READ, FOLLOW AND SAVE THESE INSTRUCTIONS**

TECHNICAL SUPPORT

For technical support on the ColorSplash® VÜ RGB, ColorSplash® VÜ RGB-W and PureWhite® VÜ Nicheless Underwater LED Lights please contact:

J&J Electronics Customer Service at:

800.735.4553 ext. 242

For more information about this or other J&J Electronics pool and spa lighting products, please visit:

www.jandjpoolspa.com

Contents

Important Safety Precautions and Warnings.....	2-3
Installation of the VÜ Nicheless LED Light.....	4
- Preparing the Light Fixture for Installation	4-5
- Installing the Light Fixture.....	5-6
Wiring Options for Controlling VÜ Nicheless LED Lights	6
- Wire Gauge and Length.....	7
- Wiring to a Switch	8
- 12VAC Installation	8
Operating Instructions for the VÜ Nicheless LED Lights	8
Operating Instructions for the ColorSplash® VÜ Nicheless LED Light	8
ColorSplash® VÜ Nicheless LED Light - Light Shows, Solid Colors and Functions	9
ColorSplash® VÜ Nicheless LED Light - How to change a Light Show, Select Solid Colors and Functions	9
Description of Light Shows and Colors.....	10-11
Light Cartridge Replacement	11
Winterizing.....	12
Troubleshooting.....	12
Warranty information.....	31

1.5" LED Nicheless Light Installation Manual and Operation Guide for the following part numbers only:

LPL-RIC-12-XX (ColorSplash VÜ RGB)

LPL-RICW-12-XX (ColorSplash VÜ RGB-W)

LPL-RIW-12-XX (PureWhite VÜ)

WARNING

FOR YOUR SAFETY - This product must be installed and serviced by a licensed or certified electrician or a qualified pool serviceman in accordance with the National Electrical Code (NEC).

Before installing this product, read and follow all warning notices and instructions accompanying this product. Failure to follow warning notices and instructions may result in property damage, personal injury, or death. Improper installation and/or operation will void the warranty. Always disconnect the power to the light at the circuit breaker before installing or servicing the light. Failure to do so could result in death or serious injury due to electrical shock. Before installing any underwater light fixtures or lamps read and follow all safety precautions, warning notices and instructions which are included in this Installation and Operation Guide. Failure to follow safety precautions, warnings and instructions can result in severe injury or death, and damage to the lights.

 **DANGER! FAILURE TO PROPERLY INSTALL AND USE THIS PRODUCT CAN RESULT IN SERIOUS BODILY INJURY OR DEATH.**

IMPORTANT SAFETY PRECAUTIONS AND WARNINGS

INSTALLER NOTICE: This Installation and Operation Guide contains important information about the installation, operation and use of this product. This information should be given to the operator and/or owner of the VÜ Nicheless LED Light for reference regarding the proper installation, operation and use of this product. When installing and using the VÜ Nicheless LED Light, basic electrical safety precautions should always be exercised, including the following:

WARNING

IMPORTANT SAFETY INSTRUCTIONS PERTAINING TO A RISK OF FIRE, ELECTRIC SHOCK, OR INJURY. READ, FOLLOW AND RETAIN ALL INSTRUCTIONS.

Read and follow all warning notices and instructions contained in this guide before installing or using the VÜ Nicheless LED Light. Severe injury, death or property damage may result if the warnings and instructions contained in this manual are not followed.

⚠ WARNING

RISK OF ELECTRIC SHOCK OR ELECTROCUTION WHICH CAN LEAD TO SERIOUS INJURY OR DEATH.

Except when the VÜ Nicheless Underwater LED Lights are installed in an area of the pool or spa that is not used for swimming and the lens is adequately guarded to keep any person from contacting it, the light shall be installed in or on a wall of the pool, with the top of the lens opening not less than 4" (102mm) below the normal water level of the pool.

⚠ WARNING

Read Important Safety Precautions and Instructions. Before beginning any electrical wiring, be sure to read and carefully follow ALL Safety Instructions. Installation of the VÜ Nicheless Light should be performed by a qualified professional electrician or pool serviceman.

Before installing the VÜ Nicheless LED Light read and follow all safety precautions, warning notices and instructions which are included in this Installation and Operation Guide. Failure to follow safety precautions, warnings and instructions can result in severe injury or death, and damage to the VÜ Nicheless LED Light.

⚠ IMPORTANT SAFETY PRECAUTIONS AND WARNINGS

Check to make sure the electrical system for the pool, spa or fountain conforms with all requirements of the National Electrical Code (NEC) Article 680-22 requirements and any applicable local codes or ordinances. A licensed or certified professional electrician must install the electrical system to meet or exceed all NEC requirements and local building codes before the VÜ Nicheless LED Light is installed.

⚠ WARNING

RISK OF ELECTRIC SHOCK OR ELECTROCUTION WHICH CAN LEAD TO SERIOUS INJURY OR DEATH.

The ColorSplash® VÜ RGB, ColorSplash® VÜ RGB-W and PureWhite® VÜ Nicheless Underwater LED Lights are only available for 12 VAC power. For supply connection, use only an isolating low voltage power supply with ungrounded output, evaluated and listed by a NRTL for swimming pool use.

INSTALLATION OF THE VÜ NICHELESS LED LIGHT

Use the chart below to determine the appropriate minimum required pipe length for your installation. It is recommended to use 1.5" pipe so that lights can easily be upgraded to a higher wattage model in the future.

RGB / RGBW / WHITE	WATTS	MINIMUM LENGTH FOR 1.5" PIPE
LPL-RIC-12-XX	8 Watts	3"
LPL-RICW-12-XX	8 Watts	3"
LPL-RICW-12-XX	20 Watts	9"
LPL-RIW-12-XX	8 Watts	3"

All products listed above are available in 30, 50, 100 and 150 feet cord lengths.

NOTE: The VÜ Nicheless LED Lights are servicable - do not attempt to remove the enclosure of cord from the conduit while submerged. No separate ground or bonding wire is required for the VÜ Nicheless LED Lights. These lights are low voltage and do not have any exposed metal.

⚠ WARNING

RISK OF ELECTRIC SHOCK OR ELECTROCUTION.

FOR YOUR SAFETY - This product must be installed and serviced by a licensed or certified electrician or a qualified pool serviceman in accordance with the National Electrical Code (NEC). Before installing this product, read and follow all warning notices and instructions accompanying this product. Failure to follow warning notices and instructions may result in property damage, personal injury, or death. Improper installation and/or operation will void the warranty. Always disconnect the power to the light at the circuit breaker before installing or servicing the light. Failure to do so could result in death or serious injury due to electrical shock. Before installing any underwater light fixtures or lamps read and follow all safety precautions, warning notices and instructions which are included in this Installation and Operation Guide. Failure to follow safety precautions, warnings and instructions can result in severe injury or death, and damage to the lights.

PREPARING THE LIGHT FIXTURE FOR INSTALLATION

NOTE: A licensed electrician must complete the below preparatory steps prior to the light fixture being installed (see figure 1).

Verify the pool meets the requirements of the current National Electrical Code (NEC) / Canadian Electrical Code (CEC) in Canada, and all local codes and ordinances. A licensed or certified electrician must install the electrical system to meet or exceed those requirements prior to installing the VÜ Nicheless LED Lights. Examples of the NEC code requirements pool electrical systems must meet are outlined below.

1. The junction box or the low-voltage transformer must be located at least eight (8) inches (measured from the inside of the bottom of the junction box or transformer) above the MAXIMUM water level, OR at least four (4) inches above the ground level or pool deck, whichever is greater. The junction box or transformer must also be installed at least forty-eight (48) inches (4 ft.) from the edge of the pool. (see figure 1).
2. A standard 1.5" plastic wall / return fitting (not included) must be installed so that the top edge of the VÜ Nicheless LED Lights lens is at least four (4) inches (10.2 cm) below the surface of the pool water.

NOTE: Always verify the pool's electrical system meets all local city and state applicable requirements.

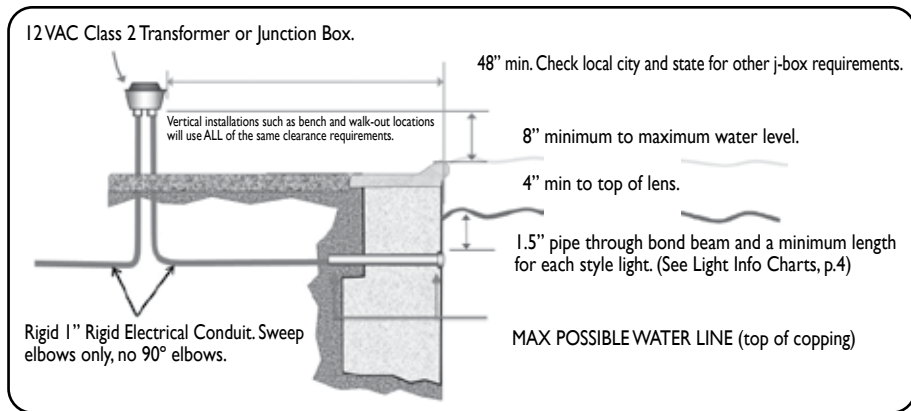


Figure 1: VÜ Nicheless Light installation with standard 1.5" plastic fitting.

INSTALLING THE VÜ NICHELESS LIGHT FIXTURE

NOTE: THESE STEPS ARE TO BE PERFORMED ONLY AFTER ALL ELECTRICAL SYSTEM REQUIREMENTS ARE MET.

1. 1.5" pipe must be installed through the bond beam with a minimum length of fourteen (14 inches), followed by a one (1) inch conduit with sweeps. DO NOT use 90 degree elbows. It is highly recommended to use 1.5" pipe through out the entire width of the bond beam. (see Figure 2).

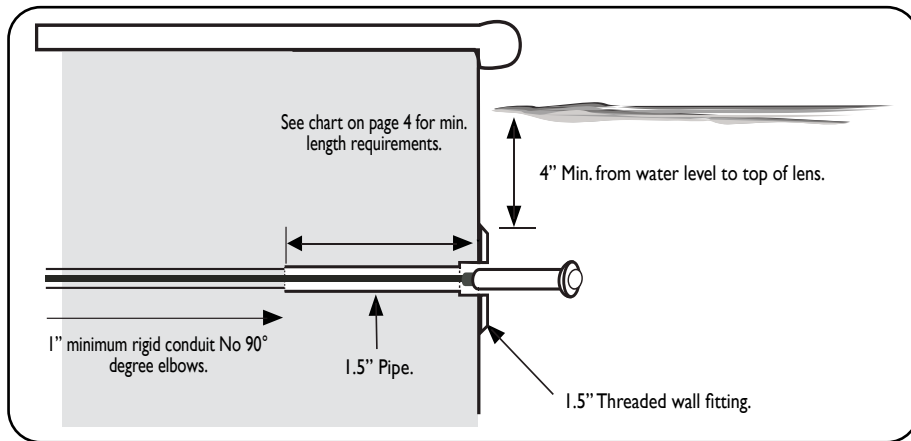


Figure 2: Standard VÜ Nicheless Light installation with 1.5" pool wall fitting.

2. Snake the 2-Conductor electrical cord through the conduit outlet of the wall fitting, into the conduit and up to the location of the 12VAC pool transformer. Cut off the cord, after allowing for service and length of run to the transformer. A length of cord with 18" - 24" of excess cord is recommended for the service loop. Pull the fixture snug to the wall fitting.

NOTE: When using a 1 1/2" MIP fitting on the back of a SP-1022 or SP-1048 wall fitting, the interior dimension of the Spears or Dura brands of MIP are both too small for proper installation of the VÜ Nicheless Lights.

3. Using the included Lens Key, thread the light into the wall fitting until it is snug.

NOTE TO INSTALLER: Please provide the pool owner with at least 1 Lens Key upon completion of installation.

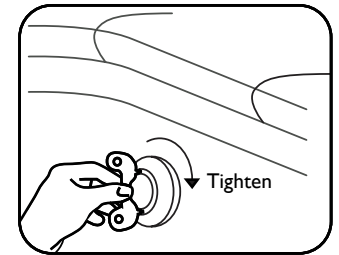


Figure 3: Lens Key Operation.

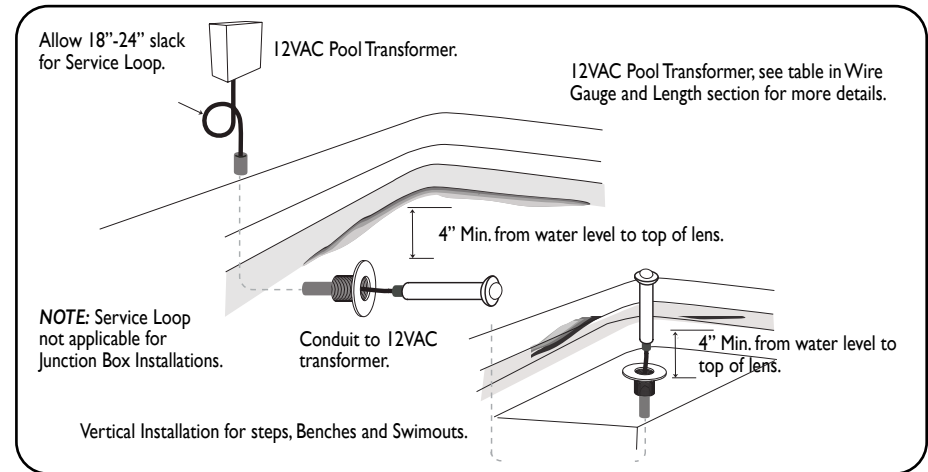


Figure 4: Standard VÜ Nicheless Light installation with 1.5" pool wall fitting.

WIRING OPTIONS FOR CONTROLLING THE VÜ NICHELESS LIGHTS

NOTE: Always consider the cable length when calculating the input voltage at the transformer. The maximum service between a transformer and all the connected lights should not exceed 150 ft in length. This includes the primary run from the Junction Box (J-Box).

Multiple ColorSplash® VÜ Nicheless Lights may be synchronized by being controlled on a single circuit, with a single transformer and switch, up to and not exceeding 400 watts.

⚠ WARNING

IMPORTANT: All **ColorSplash® VÜ Nicheless Lights** must be on the same circuit or switch, or tied into the same transformer in order to synchronize colors. Use only solid wire and bus style terminal connectors.

WIRE GAUGE AND LENGTH

⚠ WARNING

The **VÜ Nicheless LED Lights** are low voltage light fixtures. Improper wire gauge and/or wire length can affect the performance of these lights. Follow the guidelines below to determine the proper operation and optimum performance of the lights.

Voltages are determined by the measured voltage level at the bus bar where the transformer and cords are connected.

NOTE: Each color mode has a slightly different power draw.

Cord Length	Min Voltage	Max Voltage
50 feet	9.4VAC	12.4VAC
100 feet	10.7VAC	13.2VAC
150 feet	11.82VAC	13.8VAC

⚠ WARNING

RISK OF ELECTRIC SHOCK OR ELECTROCUTION.

Which could result in serious injury or death. A Ground Fault Circuit Interrupter (GFCI) for 120 Volt transformers should be used if required by the transformer manufacturer or if required by the local state or city code. When a GFCI is used, the conductors on the load side of the GFCI circuit shall not occupy conduit, boxes, or enclosures containing other conductors unless the additional conductors are also protected by a GFCI. Refer to local state and city codes for complete details.

⚠ WARNING

RISK OF ELECTRIC SHOCK OR ELECTROCUTION.

Which could result in serious injury or death. The **VÜ Nicheless LED Lights** are only available for 12VAC power. For supply connection, use only an isolating low voltage power supply with ungrounded output, evaluated and listed by a Nationally Recognized Testing Laboratory (NRTL) for swimming pool use.

WIRING TO A SWITCH

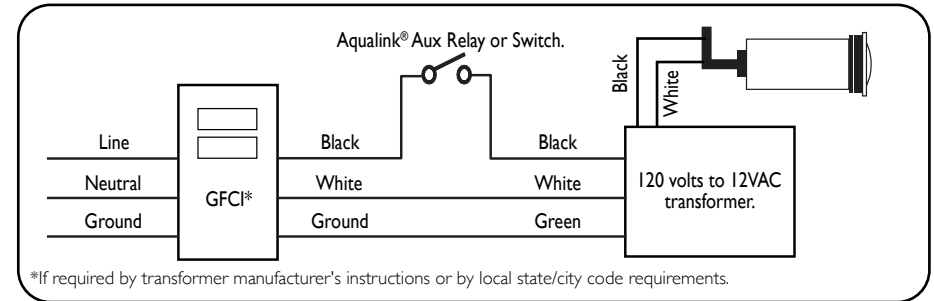


Figure 5: Wiring **VÜ Nicheless LED Underwater Lights**.

12VAC INSTALLATION

A 12-14 VAC Transformer must be used to power all 12VAC **VÜ Nicheless LED Lights**.

NOTE: For optimum performance J&J recommends not exceeding the load factor specified by the instructions included with the transformer.

To ensure maximum safety, only use a transformer that can supply 12VAC and is listed or certified by a Nationally Recognized Testing Laboratory (NRTL) as compliant with UL 379, Standard for Power Units for Fountain Luminaires, Swimming Pools and Spas.

⚠ WARNING

To prevent the risk of fire which could result in property damage, void the warranty, as well as to ensure optimum performance from your **VÜ Nicheless LED Lights**, do not exceed the load factor specified in the instructions provided by the manufacturer of the transformer.

OPERATING THE COLOR SPLASH VÜ & PUREWHITE VÜ NICHLESS LED UNDERWATER LIGHTS

ColorSplash® VÜ and **PureWhite® VÜ Nicheless LED Underwater light fixtures** are operated through the light's switch. No special controller or interface is required. Use a junction box to connect and operate multiple lights with a single switch.

COLOR SPLASH VÜ: LIGHT SHOWS, SOLID COLORS AND FUNCTIONS

ColorSplash®VÜ Nicheless LED light fixtures are pre-programmed and synchronous with each other while offering a wide array of lighting effects and options. They offer seven different light shows (1-7) and five solid colors (8-12) to choose from; as well as a Color Lock (13) and Return (14) feature which allows you to "lock" the light on a color shown during an active light show and can return to the last locked color effect. ColorSplash®VÜ Nicheless LED light fixture features are selectable by turning the existing pool light power switch off and on, known as power cycling.

Your ColorSplash® VÜ Nicheless LED light fixture has seven light shows and 5 solid colors from which you can choose. (See full description of light shows on page 13).

Your ColorSplash®VÜ Nicheless LED light fixture can stop a light show and "color lock" on a color shown during an active light show and can also return to the last locked color effect.

LIGHT SHOWS:

- | | | | |
|----------------------|-----------------|--------------------|---------------|
| 1. Peruvian Paradise | 2. Super Nova | 3. Northern Lights | 4. Tidal Wave |
| 5. Patriot Dream | 6. Desert Skies | 7. Nova | |

SOLID COLORS:

- | | | |
|------------------|----------------------|-------------------|
| 8. Parisian Blue | 9. New Zealand Green | 10. Brazilian Red |
| 11. Arctic White | 12. Miami Pink | |

COLOR LOCK AND RETURN:

- | | |
|----------------|------------|
| 13. Color Lock | 14. Return |
|----------------|------------|

NOTE: ColorSplash®VÜ Nicheless LED lights are "synchronous", meaning that multiple ColorSplash® VÜ, LXG, XG and Fountain lights on the same power circuit will sync together so that they all display the same light show or solid color at the same time. All of the ColorSplash®VÜ, LXG, XG and Fountain LED lights must be on the same electrical circuit for this feature to be operational. ColorSplash®VÜ, LXG, XG and Fountain LED lights may not synchronize with other pool, spa or fountain light fixtures. Please consult a qualified electrician to determine your specific pool and spa circuit configuration.

NOTE: J&J's ColorSplash®VÜ Nicheless LED Underwater light fixtures will not synchronize with any other manufacturer's pool or spa light fixtures.

WARNING

During off/on power cycling, prior to the selected show/color displaying, no illumination will occur. This is normal during the cycling process. During this period the pool/spa will be dark and precautions should be taken to avoid any unforeseen accidents. Failure to observe this warning may result in serious injury or death to pool/spa users.

COLOR SPLASH VÜ LIGHTING OPERATION: HOW TO CHANGE LIGHT SHOW, SELECT SOLID COLORS AND FUNCTIONS

CHANGE LIGHT SHOW

ColorSplash®VÜ light shows: Power cycle pool light switch off/on as many times needed to match the desired light show's specified number. Example: If you are on (10) Brazilian Red and want to display (3) Northern Lights light show, power cycle three (3) times to select and activate Northern Lights.

SELECT SOLID COLORS

Similar to selecting an ColorSplash®VÜ light show, power cycle pool light switch off/on as many times needed to match the desired solid color's specified number. Example: If you are on (6) Desert Skies and want to display (11) PureWhite, power cycle eleven (11) times to select and display PureWhite (RGB-W) or Arctic White (RGB).

NOTE: During power cycle process, before the selected light show or color is displayed, temporarily their will be no illumination. This is normal during the switching process.

NOTE: To control your ColorSplash®VÜ Nicheless LED Lights using J&J's ColorSplash® XG Controller, please refer to the operation guide included with the XG Controller.

DESCRIPTION OF LIGHT SHOWS AND COLORS

1. PERUVIAN PARADISE (FACTORY DEFAULT LIGHT SHOW):

Show: Slow color-fades between white, magenta, blue and green.

Cycle: Continuous color slow-fades between colors. Light will stay on each solid color for 4 seconds before fading to the next.

2. SUPER NOVA:

Show: Very rapid flashing through random colors.

Cycle: Continuous color flashing.

3. NORTHERN LIGHTS:

Show: Slow cross-fade through all colors.

Cycle: Continuous color sequence cycle with slow cross-fade between colors. Light will hold on each color for 8 seconds before cross-fading to the next.

4. TIDAL WAVE:

Show: Slow cross-fade between green and blue.

Cycle: Continuous color sequence cycle with slow cross-fade between green and blue colors. Light will hold on solid green and blue for 8 seconds before slowly transitioning.

5. PATRIOT DREAM:

Show: Cross-fade through red, white and blue.

Cycle: Light will hold on each color for 3 seconds before changing to the next.

6. DESERT SKIES:

Show: Slow color-fade through orange, red and magenta.

Cycle: Continuous color sequence cycle with cross-fade between colors.

7. NOVA:

Show: Fast color-change through random colors.

Cycle: Light will hold on each color for 2 seconds before changing to the next color.

8. PARISIAN BLUE: Solid Deep Blue

9. NEW ZEALAND GREEN: Solid Deep Green

10. BRAZILIAN RED: Solid Deep Red

11. ARCTIC WHITE: Solid White Hue

12. MIAMI PINK: Solid Deep Pink

LIGHT CARTRIDGE REPLACEMENT

WARNING

RISK OF ELECTRIC SHOCK OR ELECTROCUTION.

Which could result in serious injury or death. The **VÜ Nicheless LED Lights** are only available for 12VAC power. For supply connection, use only an isolating low voltage power supply with ungrounded output, evaluated and listed by a Nationally Recognized Testing Laboratory (NRTL) for swimming pool use.

1. Verify the VÜ Nicheless LED Underwater Light has been disconnected from the power source and be sure the light fixture is in a dry environment. Remove the screws from the lens with the tool provided. Pull the lens from the body of the fixture.
2. Using the tool provided, insert and turn the threaded portion into the extraction hole in the face of the light cartridge. Pull the light cartridge from the body of the housing.
3. Insert the replacement cartridge into the body of the housing. Line up the tab at the end of the circuit board with the receiving slot inside the body of the housing. It may be necessary to slowly turn the light cartridge until the tab lines up with the slot.
4. Clean the lens and the enclosure of any remaining old silicone sealer before applying new silicone and replacing the lens. Replace the O-ring with the new one provided. Attach the lens onto the fixture body. Tightly secure the screws. Once all screws are tight, slowly submerge the fixture in water, checking for any air bubbles. Immediately remove fixture from water if air bubbles appear, as this indicates the seal is not on correctly, leaving it not water-tight. Retighten the screws and test for air bubbles again.
5. Reset the fixture into the wall fitting and turn the power on.

WINTERIZING

WARNING

Consult a local state or city swimming pool professional for proper winterization of your **VÜ Nicheless LED Underwater Light Fixtures**.

The water level should be lowered to approximately 12 inches below the pool lights. Be certain the water is drained out of the wall housing. Minimum pool safeguard requires dropping the water level 2 inches to 4 inches below the light. NEVER remove water from the pool without checking ground water tables.

TROUBLESHOOTING

Use the following tips to help you resolve problems that might occur while operating the **VÜ Nicheless LED Underwater Light Fixtures**.

Problem		Possible Cause/Action
All lights fail to illuminate	Lights are not receiving power	Check 120VAC power supply into transformer. Check for 12VAC output at transformer. Check or reset GFCI. Make sure 120 volts has not been used in the installation - damage is assured and will void the warranty.
One or more lights are dim, blinking or not working	Poor connection of improper wire gauge	Separate each light and independently wire 12VAC to this single light only. Repeat this process on each light. If junction box is being used, check for proper connection of light cord. Verify that the correct wire gauge is being used between the transformer and the j-box.
Colored lights out of sync	Improper voltage supply or poor connection to the light	Verify that proper wire connections are being achieved for the lights that are out of sync. Reset all the lights to white by turning lights OFF for five (5) seconds, then turning ON.

TÉRMINOS Y CONDICIONES

Esta garantía está disponible solamente para el comprador original del producto. Esta garantía se aplica solo cuando los productos son instalados correctamente; cualquier otro uso anula la garantía. Esta garantía no se aplica a cualquier uso anormal del producto, su uso en violación de cualquier norma, código o instrucciones para su uso en instalaciones, incluidos aquellos que figuran en la última Código Eléctrico Nacional (NEC, siglas en inglés), los estándares de seguridad de Underwriters Laboratory, Inc. (UL) y las normas para el Instituto Nacional Estadounidense de Estándares (ANSI, siglas en inglés). Esta garantía no se aplicará en caso de condiciones que demuestran el uso anormal o con ciclos de conmutación de tensión excesivos o fuera de las condiciones de funcionamiento recomendadas. Esta garantía no cubre los daños producidos durante el envío, daños o fallos resultantes de alteraciones, accidente, causas de fuerza mayor, robo, abuso, instalación negligente, mantenimiento inapropiado, reparaciones no autorizadas, congelación o en casos en los que no se ha procurado la atención adecuada para evitar daños en el producto. La manipulación de cualquiera de los componentes internos de este producto anulará la garantía.

Esta garantía le otorga derechos específicos. Es posible que tenga otros derechos que varíen de acuerdo con las leyes de su estado.

LIMITACIÓN DE RESPONSABILIDAD

LO ANTERIOR CONSTITUIRÁ EL RECURSO EXCLUSIVO DEL COMPRADOR EN LUGAR DE OTRAS GARANTÍAS, EXPRESAS O IMPLÍCITAS, INCLUYENDO TODAS LAS GARANTÍAS DE COMERCIABILIDAD PARA UN FIN PARTICULAR, Y TODAS LAS GARANTÍAS DERIVADAS DE NEGOCIACIONES O USOS COMERCIALES. LA RESPONSABILIDAD DE J&J BAJO ESTA GARANTÍA SE LIMITA A LA SUSTITUCIÓN, REPARACIÓN O CRÉDITO DEL ACCESORIO TAL COMO SE INDICA. J&J NO ES RESPONSABLE POR LOS COSTOS RELACIONADOS CON EL ENVÍO O TRANSPORTE. BAJO NINGUNA CIRCUNSTANCIA J&J ES RESPONSABLE POR NINGÚN OTRO COSTO O DAÑO, INCLUYENDO LA PÉRDIDA DE GANANCIAS O INGRESOS, CARGOS POR TRABAJOS O CARGOS POR DAÑOS INCIDENTALES, ESPECIALES O CONSECUENTES.

J&J se reserva el derecho a modificar la garantía y / o período de garantía sin previo aviso y sin incurrir en ninguna obligación.

Para obtener el servicio de garantía, guarde el producto defectuoso; la factura con el precio de compra del producto y póngase en contacto con J&J Electronics, LLC al 800.735.4553 ext. 242 o warranty@jandjelectronics.com. As of 09/09/2019



Manual de instalación y operación

Luz LED subacuática sin nicho de 1.5" para piscinas y spas



INSTRUCCIONES DE SEGURIDAD IMPORTANTES LEA, SIGA Y GUARDE ESTAS INSTRUCCIONES

SOPORTE TÉCNICO

Para obtener asistencia técnica con las luces subacuáticas LED sin nicho ColorSplash®VÜ RGB, ColorSplash®VÜ RGB-W y PureWhite®VÜ, póngase en contacto con:

Servicio al cliente de J&J Electronics:

800.735.4553 ext. 242

Para obtener más información sobre este u otros productos de iluminación para piscina o spa de J&J Electronics, por favor visite:

www.jandjpoolspa.com



Irvine, California | www.jandjpoolspa.com

© 2019 J&J Electronics, LLC Todos los derechos reservados. ColorSplash® y PureWhite® son marcas comerciales de y fabricadas por J&J Electronics, LLC Todas las marcas y nombres registrados y marcas comerciales son propiedad de sus respectivas compañías. REV. 09/17/19

Contenido

Advertencias e instrucciones de seguridad importantes	16-18
La instalación de la luz VÜ LED sin nicho	18
- Preparación del accesorio de iluminación para la instalación.....	19
- Instalación del accesorio de iluminación	20
Opciones de cableado para controlar la luz VÜ LED sin nicho	21
- Calibre y longitud del cable	21-22
- Cableado a un interruptor.....	22
- Instalación 12VCA.....	23
Instrucciones de operación para las luces VÜ LED sin nicho	23
Instrucciones de operación para la luz VÜ LED ColorSplash® sin nicho.....	23
<i>Luz VÜ LED ColorSplash® sin nicho</i> - Espectáculos de luces, colores sólidos y funciones.....	23-24
<i>Luz VÜ LED ColorSplash® sin nicho</i> - Cómo cambiar los espectáculos de luz, seleccionar colores sólidos y funciones.....	24-25
Descripción de los espectáculos de luces y colores.....	25-26
Sustitución del cartucho de la luz	26
Preparación para el invierno.....	27
Solución de problemas.....	27
Información sobre la garantía.....	28

Luz LED de 1.5” sin nicho Manual de instalación y funcionamiento solo para los siguientes componentes:

LPL-RIC-12-XX (*ColorSplash VÜ RGB*)

LPL-RICW-12-XX (*ColorSplash VÜ RGB-W*)

LPL-RIW-12-XX (*PureWhite VÜ*)

ADVERTENCIA

POR SU SEGURIDAD - Este producto debe ser instalado y mantenido por un electricista certificado o un técnico de piscinas calificado de acuerdo con el Código Eléctrico Nacional (NEC). Antes de instalar este producto, lea y siga todas las advertencias e instrucciones incluidas. El incumplimiento de las advertencias e instrucciones puede resultar en daños a la propiedad, lesiones personales o la muerte. La instalación y/o el funcionamiento inadecuado anulará la garantía. Desconecte la electricidad de la caja eléctrica siempre que vaya a instalar o dar mantenimiento a la luz. No hacerlo podría provocar la muerte o lesiones graves debido a una descarga eléctrica. Antes de instalar cualquier lámpara o accesorio subacuático, lea y siga todas las precauciones, avisos e instrucciones de seguridad que se incluyen en este Manual de instalación y operación. El incumplimiento de las precauciones, advertencias e instrucciones relacionadas a la seguridad puede provocar lesiones graves o la muerte, y daños a las luces.

 **¡PELIGRO! INSTALAR Y USAR ESTE PRODUCTO INCORRECTAMENTE PUEDE CAUSAR LESIONES GRAVES O LA MUERTE.**

PRECAUCIONES Y ADVERTENCIAS DE SEGURIDAD IMPORTANTES

ATENCIÓN INSTALADOR: Este Manual de instalación y operación contiene información importante sobre la instalación, funcionamiento y uso de este producto. Esta información se debe dar al operador y/o propietario de la luz LED VÜ sin nicho como orientación con respecto a la instalación, operación y uso correcto de este producto. Al instalar y usar la luz LED VÜ sin nicho, deben tomarse siempre precauciones de seguridad, incluyendo las siguientes:

ADVERTENCIA

INSTRUCCIONES DE SEGURIDAD IMPORTANTES RELACIONADAS CON EL RIESGO DE INCENDIOS, DESCARGA ELÉCTRICA O LESIÓN. LEA, SIGA Y GUARDE TODAS LAS INSTRUCCIONES.

Lea y siga todas las advertencias e instrucciones contenidas en este manual antes de instalar o usar la luz LED VÜ sin nicho. Pueden ocurrir lesiones severas, daños graves o la muerte por el incumplimiento de las advertencias e instrucciones contenidas en este manual.

ADVERTENCIA

RIESGO DE DESCARGA ELÉCTRICA O ELECTROCUCIÓN QUE CAUSEN LESIONES GRAVES O LA MUERTE.

Excepto cuando las luces subacuáticas LED VÜ sin nicho estén instaladas en un área de la piscina o spa donde no se permita la natación y la lente esté resguardada adecuadamente del contacto directo con las personas, la luz debe instalarse en una pared de la piscina, con la parte superior de la apertura de la lente a no menos de 4" (102 mm) por debajo del nivel normal del agua de la piscina.

ADVERTENCIA

Lea las Precauciones y advertencias de seguridad importantes. Antes de comenzar cualquier cableado eléctrico, asegúrese de leer y seguir cuidadosamente TODAS las instrucciones de seguridad. La instalación la luz LED VÜ sin nicho debe ser realizada por un electricista o técnico de piscina cualificado.

Antes de instalar la luz LED VÜ sin nicho, lea y siga todas las precauciones, avisos e instrucciones de seguridad que se incluyen en este Manual de instalación y operación. El incumplimiento de las precauciones, advertencias e instrucciones relacionadas a la seguridad puede provocar lesiones graves o la muerte, y daños a la luz LED VÜ sin nicho.

PRECAUCIONES Y ADVERTENCIAS DE SEGURIDAD IMPORTANTES

Asegúrese de que el sistema eléctrico de la piscina, spa o fuente cumple con todos los requisitos del artículo 680-22 del Código Eléctrico Nacional (NEC) y los códigos y ordenanzas locales aplicables. Un electricista profesional certificado o acreditado debe instalar el sistema eléctrico para cumplir o exceder todos los requisitos de NEC y los códigos locales de construcción antes de instalar la luz LED VÜ sin nicho.

ADVERTENCIA

RIESGO DE DESCARGA ELÉCTRICA O ELECTROCUCIÓN QUE CAUSEN LESIONES GRAVES O LA MUERTE.

Las luces subacuáticas LED sin nicho ColorSplash® VÜ RGB, ColorSplash® VÜ RGB-W y PureWhite® están disponibles solo para corrientes eléctricas de 12VCA. Para la conexión eléctrica, utilice solamente una fuente de alimentación de baja tensión de aislamiento con salida sin conexión a tierra, evaluada por un laboratorio de pruebas reconocido a nivel nacional (NRTL) y certificada para uso en piscinas.

INSTALACIÓN DE LA LUZ LED VÜ SIN NICHOS

Use la siguiente tabla para determinar la longitud mínima requerida de tubería para su instalación. Se recomienda usar una tubería de 1,5" para que las luces puedan ser cambiarse fácilmente a un modelo de mayor potencia se ser necesario.

RGB / RGBW / BLANCO	VATIOS	LONGITUD MÍNIMA PARA TUBERÍA DE 1.5"
LPL-RIC-12-XX	8 Vatios	3"
LPL-RICW-12-XX	8 Vatios	3"
LPL-RICW-12-XX	20 Vatios	9"
LPL-RIW-12-XX	8 Vatios	3"

Todos los productos anteriormente enumerados están disponibles con 30, 50, 100 y 150 pies de cable.

NOTA: Las luces VÜ LED sin nicho son reparables - no intente eliminar el recinto de cable desde el conducto mientras está sumergido. No se requiere ninguna toma de tierra para las luces VÜ LED sin nicho. Estas luces son de bajo voltaje y no tienen ninguna pieza de metal expuesta.

ADVERTENCIA

RIESGO DE DESCARGA ELÉCTRICA O ELECTROCUCIÓN.

POR SU SEGURIDAD - Este producto debe ser instalado y mantenido por un electricista certificado o un técnico de piscinas calificado de acuerdo con el Código Eléctrico Nacional (NEC). Antes de instalar este producto, lea y siga todas las advertencias e instrucciones incluidas. El incumplimiento de las advertencias e instrucciones puede resultar en daños a la propiedad, lesiones personales o la muerte. La instalación y/o el funcionamiento inadecuado anulará la garantía. Desconecte la electricidad de la caja eléctrica siempre que vaya a instalar o dar mantenimiento a la luz. No hacerlo podría provocar la muerte o lesiones graves debido a una descarga eléctrica. Antes de instalar cualquier lámpara o accesorio subacuático, lea y siga todas las precauciones, avisos e instrucciones de seguridad que se incluyen en este Manual de instalación y operación. El incumplimiento de las precauciones, advertencias e instrucciones relacionadas a la seguridad puede provocar lesiones graves o la muerte, y daños a las luces.

PREPARACIÓN DEL ACCESORIO PARA LA INSTALACIÓN

NOTA: Los pasos preparatorios deben ser realizados por un electricista acreditado antes de poder instalar el accesorio de luz (vea la Figura 1).

Verifique que la piscina cumple con los requisitos actuales del Código Eléctrico Nacional (NEC) / Código Eléctrico Canadiense (CEC) en Canadá, y todos los códigos y ordenanzas locales. Un electricista certificado o acreditado debe instalar el sistema eléctrico de manera que cumplan con todos esos requisitos antes de instalar las luces LED VÜ sin nicho. Abajo se muestran algunos ejemplos de los requisitos del código NEC para los sistemas eléctricos de piscinas que se deben cumplir.

1. La caja de conexiones o el transformador de bajo voltaje debe estar al menos a ocho (8) pulgadas (medida desde el interior de la parte inferior de la caja de conexiones o el transformador) por encima del nivel MÁXIMO del agua. O al menos cuatro (4) pulgadas por encima del nivel del suelo o de la cubierta de la piscina, lo que esté a mayor altura. La caja de conexiones o el transformador también deben instalarse al menos a cuarenta y ocho (48) pulgadas (4 pies) del borde de la piscina (vea la Figura 1).

2. Un retorno de pared de 1.5" de plástico (no incluido) debe instalarse de modo que el borde superior de la lente de la luz VÜ LED sin nicho es de al menos cuatro (4) pulgadas (10,2 cm) por debajo de la superficie del agua de la piscina.

NOTA: Siempre verifique que el sistema eléctrico de la piscina cumple con todos los requisitos estatales y locales.

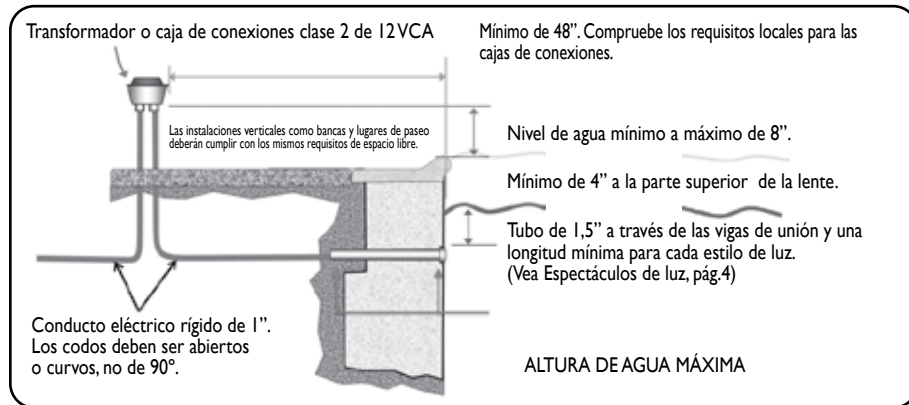


Figura 1: Instalación de la luz VÜ sin nicho con la conexión plástica estándar de 1.5"

INSTALAR LA LUZ VÜ SIN NICHOS

NOTA: ESTOS PASOS SE DEBEN REALIZAR SOLO DESPUÉS DE QUE SE HAYAN CUMPLIDO TODOS LOS REQUISITOS DEL SISTEMA ELÉCTRICO.

1. Instale un tubo de 1,5" a través de la viga de unión con una longitud mínima de catorce (14) pulgadas, seguido de un de conducto de una (1) pulgadas. NO utilice codos de 90 grados. Se recomienda utilizar un tubo de 1,5" a lo largo de toda la extensión de la viga de unión (vea la Figura 2).

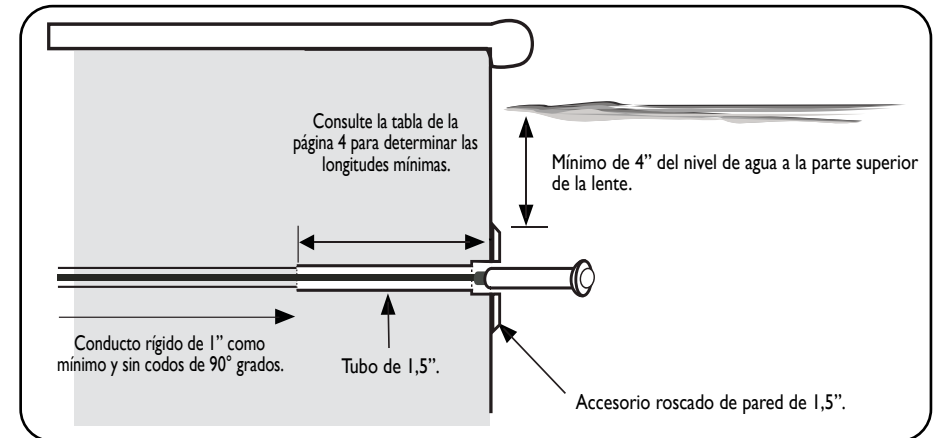


Figura 2: Instalación estándar de la luz VÜ sin nicho con accesorio de pared de piscina de 1.5"

2. Meta el cable eléctrico doble por el conducto de la pared y hasta llegar al transformador de piscinas 12VCA. Corte el cable, dejando suficiente cable para servicios de reparación y mantenimiento y tomando en cuenta la distancia al transformador. Se recomienda dejar un exceso de 18" a 24" de cable. El accesorio de luz debe quedar a ras de la pared de la piscina.

NOTA: Si utiliza conectores de hierro de 1 1/2" en la parte posterior de un aplique de pared SP-1022 o SP-1048, sepa que los conectores de las marcas Spears o Dura tienen dimensiones interiores demasiado pequeñas como para poder instalar las luces VÜ sin nicho.

3. Use la llave del foco incluida para girar la luz dentro del accesorio hasta que quede ajustada en la pared.

NOTA PARA EL INSTALADOR: Por favor proporcione al propietario de la piscina al menos 1 llave del foco al finalizar la instalación.

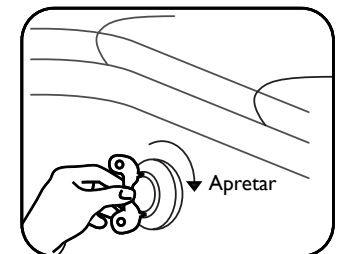


Figura 3: Cómo girar la llave del foco del foco.

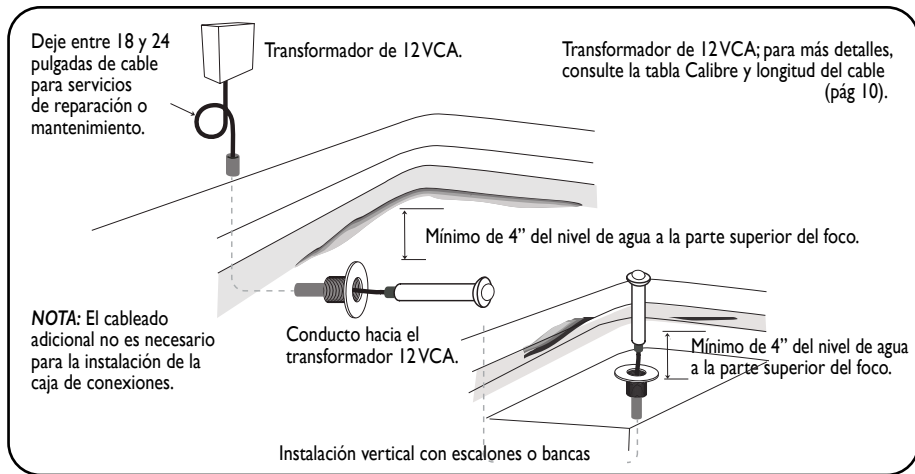


Figura 4: Instalación estándar de la luz VÜ sin nicho con accesorio de pared de piscina de 1,5".

OPCIONES DE CABLEADO PARA CONTROLAR LA LUZ VÜ SIN NICHOS

NOTA: Tenga siempre en cuenta la longitud del cable al calcular el voltaje de entrada en el transformador. La longitud máxima entre un transformador y todas las luces conectadas a él no debe exceder los 150 pies. Esto incluye la conexión primaria desde la caja de conexiones.

Se pueden sincronizar varias luces VÜ ColorSplash® sin nicho al tenerlas conectadas en un mismo circuito, con un solo transformador e interruptor, con un máximo voltaje de 400 vatios.

⚠ ADVERTENCIA

IMPORTANTE: Todas las *luces VÜ ColorSplash® sin nicho* deben estar en el mismo circuito o interruptor, o estar conectadas al mismo transformador con el fin de sincronizar los colores. Use solo cable sólido y conectores de tipo barras de bus.

CALIBRE Y LONGITUD DEL CABLE

⚠ ADVERTENCIA

Las *luces VÜ LED sin nicho* son accesorios de baja voltaje. Usar cables de calibre y longitud inadecuados puede afectar el rendimiento de estas luces. Siga las instrucciones a continuación para determinar el rendimiento óptimo y el correcto funcionamiento de las luces.

Los voltajes son determinados por el nivel de voltaje medido en la barra de bus a la que el transformador y los cables estén conectados.

NOTA: Cada color tiene un consumo de energía ligeramente diferente.

Longitud del cable	Voltaje mínimo	Voltaje máximo
50 pies	9.4VCA	12.4VCA
100 pies	10.7VCA	13.2VCA
150 pies	11.82VCA	13.8VCA

⚠ ADVERTENCIA

RIESGO DE DESCARGA ELÉCTRICA O ELECTROCUCIÓN.

Que podrían resultar en lesiones graves o la muerte. Se debe utilizar un interruptor diferencial (GFCI, en inglés) para transformadores de 120 voltios si es requerido por el fabricante del transformador o si es requerido por el código estatal o local de la ciudad. Cuando se utiliza un GFCI, los conductores en el lado de carga del circuito GFCI no deberán estar dentro de conductos, cajas o recintos que contengan otros conductores, a menos que los conductores adicionales también estén protegidos por un GFCI. Consulte los códigos locales de su estado y de su ciudad para obtener más detalles.

⚠ ADVERTENCIA

RIESGO DE DESCARGA ELÉCTRICA O ELECTROCUCIÓN.

Que podrían resultar en lesiones graves o la muerte. Las *luces VÜ LED sin nicho* están disponibles solo para corrientes eléctricas de 12VCA. Para la conexión eléctrica, utilice solamente una fuente de alimentación de baja tensión de aislamiento con salida sin conexión a tierra, evaluada por un laboratorio de pruebas reconocido a nivel nacional (NRTL) y certificada para uso en piscinas.

CABLEADO A UN INTERRUPTOR

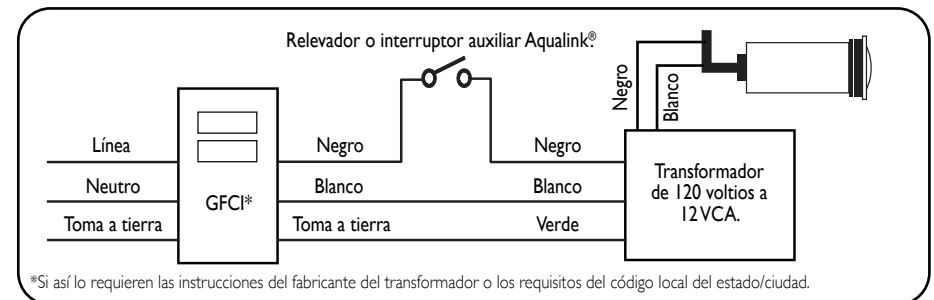


Figura 5: Cableando las *luces subacuáticas VÜ LED sin nicho*.

INSTALACIÓN DE 12 VCA

Se debe utilizar un transformador de 12-14VCA para alimentar todas las **luces LED VÜ sin nicho** de 12VCA.

NOTA: Para obtener un rendimiento óptimo, J&J recomienda no exceder el factor de carga especificado por las instrucciones incluidas con el transformador.

Para garantizar la mayor seguridad, utilice solo un transformador que pueda suministrar 12VCA y está en la lista certificada por un laboratorio de pruebas reconocido a nivel nacional (NRTL) como compatible con la norma UL 379, Norma para bloques de alimentación de luces de fuentes, piscinas y spas.

ADVERTENCIA

Para evitar el riesgo de incendio que podría resultar en daños a la propiedad, anular la garantía, así como para asegurar el rendimiento óptimo de la **luz LED VÜ sin nicho**, no exceda el factor de carga especificada en las instrucciones proporcionadas por el fabricante.

OPERAR LAS LUCES SUBACUÁTICAS LED DE COLOR SPLASH VÜ Y PUREWHITE VÜ SIN NICHOS

Los accesorios subacuáticos LED **ColorSplash® VÜ** y **PureWhite® VÜ sin nicho** son operados a través del interruptor de la luz. No se requiere ningún controlador o interfaz especial. Utiliza una caja de conexiones para conectar y operar múltiples luces con un solo interruptor.

COLOR SPLASH VÜ: ESPECTÁCULOS DE LUCES, COLORES SÓLIDOS Y FUNCIONES

Los accesorios de iluminación VÜ LED ColorSplash® sin nicho están pre-programados y sincronizados entre sí al tiempo que ofrecen una amplia gama de opciones y efectos de iluminación. Ofrecen siete tipos diferentes de espectáculos de luz (1-7) y cinco colores sólidos (8-12) entre los que puede elegir; también permiten “fijar” un color (13) y tienen una función de retorno (14) que le permite “fijar” el color de luz durante un espectáculo de luz activo y poder así volver al último efecto de color fijado. Las funciones de las luces VÜ LED ColorSplash® sin nicho se seleccionan apagando y encendiendo el interruptor; lo cual se conoce como “ciclo de encendido”.

Su luz VÜ LED ColorSplash® sin nicho tiene siete espectáculos de luz y 5 colores sólidos entre los que puede elegir. (Vea la descripción completa de los espectáculos de luz en la página 15).

Su luz VÜ LED ColorSplash® sin nicho permite detener un espectáculo de luz y “fijar” un color que se esté desplegando durante un espectáculo de luz activo, y también puede retornar al último efecto de color que haya sido bloqueado.

ESPECTÁCULOS DE LUZ:

- | | | | |
|--------------------|------------------------|--------------------|-------------|
| 1. Paraíso peruano | 2. Súper Nova | 3. Luces del norte | 4. Maremoto |
| 5. Sueño patriota | 6. Cielos del desierto | 7. Nova | |

COLORES SÓLIDOS:

- | | | |
|-------------------|----------------------|--------------------|
| 8. Azul parisino | 9. Verde neozelandés | 10. Rojo de Brasil |
| 11. Blanco ártico | 12. Rosa Miami | |

FIJAR UN COLOR Y RETORNAR:

- | | |
|--------------------|--------------|
| 13. Fijar el color | 14. Retornar |
|--------------------|--------------|

NOTA: Las luces LED sin nicho ColorSplash® VÜ son “síncronas”, lo que significa que al haber variass luces ColorSplash® VÜ, LXG, XG y luces de fuentes en el mismo circuito de alimentación se sincronizarán para dar el mismo espectáculo de luces o colores sólido al mismo tiempo. Todas las luces LED ColorSplash® VÜ, LXG, XG y de fuentes deben estar conectadas al mismo circuito eléctrico para que esta función esté operativa. Las luces LED ColorSplash® Vu, LXG, XG y de fuentes podrían no sincronizar con otros accesorios de piscina, spa o fuentes. Por favor, consulte a un electricista calificado para determinar la configuración específica del circuito de piscina y spa.

NOTA: Los accesorios de iluminación subacuáticos ColorSplash® VÜ LED sin nicho de J&J no se sincronizarán con los accesorios de luz de piscina o spa de otros fabricantes.

ADVERTENCIA

Durante los ciclos de encendido y apagado, previo a la selección de un espectáculo de luz, no habrá ninguna iluminación. Esto es normal durante el proceso cíclico. Durante este tiempo la piscina o el spa estará oscuro y se deben tomar precauciones para evitar cualquier accidente imprevisto. El incumplimiento de esta advertencia puede provocar lesiones graves o la muerte a los usuarios de la piscina o el spa.

OPERACIÓN DEL COLOR SPLASH VÜ: COMO CAMBIAR LOS ESPECTÁCULOS DE LUCES, SELECCIONAR COLORES SÓLIDOS Y USAR OTRAS FUNCIONES

CAMBIAR EL ESPECTÁCULO DE LUZ

Espectáculos de luz ColorSplash® VÜ: presione el interruptor de encendido/apagado tantas veces como sea necesario para que coincida con el número específico del espectáculo de luz deseado. Ejemplo: Si usted está en (10) Rojo del Brasil y desea mostrar el espectáculo número tres (3), Luces del norte, apague y encienda tres veces las luces para cambiar el espectáculo.

SELECCIONAR LOS COLORES SÓLIDOS

Al igual que en la selección de un espectáculo de luz ColorSplash® VÜ, presione el interruptor de encendido/apagado tantas veces como sea necesario para que coincida con el número especificado del color sólido deseado. Ejemplo: Si usted está en (6) Cielos del desierto y desea mostrar el número once (11) Blanco puro o ártico, apague y encienda las luces once (11) veces para seleccionar y mostrar Blanco puro (RGB-W) o Blanco ártico (RGB).

NOTA: Durante el proceso de apagado y encendido, antes de que aparezca el espectáculo o el color de la luz seleccionada, temporalmente no habrá ninguna iluminación. Esto es normal durante el proceso de conmutación.

NOTA: Para controlar las luces VÜ LED ColorSplash® sin nicho usando el control remoto Controller XG ColorSplash® de J&J, por favor consulte el manual de operación incluido con el control remoto XG.

DESCRIPCIÓN DE ESPECTÁCULOS Y COLORES DE LUZ

1. PARAÍSO PERUANO (CONFIGURACIÓN DE FÁBRICA):

Espectáculo: Los colores se funden lentamente entre blanco, magenta, azul y verde.
Ciclo: Desvanecimiento continuo entre los colores. La luz permanecerá en cada color durante 4 segundos antes de continuar al siguiente.

2. SÚPER NOVA:

Espectáculo: Parpadeo rápido a través de colores al azar.
Ciclo: Parpadeo continuo de colores.

3. LUCES DEL NORTE:

Espectáculo: Todos los colores se funden entre sí lentamente.
Ciclo: Secuencia continua de colores con un fundido cruzado y lento. La luz permanecerá en cada color durante 8 segundos antes de fundirse con el siguiente.

4. MAREMOTO:

Espectáculo: Fundido cruzado y lento entre el verde y el azul.
Ciclo: Secuencia continua de colores con un fundido cruzado y lento entre el verde y el azul. La luz permanecerá en verde y azul durante 8 segundos antes de cambiar lentamente al otro color.

5. SUEÑO PATRIOTA:

Espectáculo: Desvanecimiento cruzado entre el rojo, el blanco y el azul.
Ciclo: La luz permanecerá en cada color durante 3 segundos antes de cambiar al siguiente.

6. CIELOS DEL DESIERTO:

Espectáculo: Desvanecimiento lento entre el naranja, el rojo y el magenta.
Ciclo: Secuencia continua de colores con fundido cruzado entre ellos.

7. NOVA:

Espectáculo: Cambios rápidos entre colores al azar.
Ciclo: La luz permanecerá en cada color durante 2 segundos antes de cambiar al siguiente.

8. AZUL PARISINO: De color azul profundo sólido

9. VERDE NEOZELANDÉS: De color verde oscuro sólido

10. ROJO DEL BRASIL: De color rojo oscuro sólido

11. BLANCO ÁRTICO: De color blanco sólido

12. ROSA MIAMI: De color rosa oscuro sólido

SUSTITUCIÓN DEL CARTUCHO DE LUZ

ADVERTENCIA

RIESGO DE DESCARGA ELÉCTRICA O ELECTROCUCIÓN.

Que podrían resultar en lesiones graves o la muerte. Las **luces VÜ LED sin nicho** están disponibles solo para corrientes eléctricas de 12VCA. Para la conexión eléctrica, utilice solamente una fuente de alimentación de baja tensión de aislamiento con salida sin conexión a tierra, evaluada por un laboratorio de pruebas reconocido a nivel nacional (NRTL) y certificada para uso en piscinas.

1. Compruebe que la luz VÜ LED sin nicho se ha desconectado de la fuente de alimentación y asegúrese de que el accesorio de luz esté en un ambiente seco. Retire los tornillos de la lente con la herramienta proporcionada. Retire la lente del cuerpo de la luminaria.
2. Con la herramienta provista, inserte y gire la parte roscada en el agujero de extracción en la cara del cartucho de la luz. Separe el cartucho del armazón.
3. Inserte el cartucho de repuesto en el cuerpo del armazón. Alinee la pestaña del extremo de la placa de circuito con la ranura de recepción dentro del cuerpo del armazón. Puede que necesite girar lentamente el cartucho de la luz hasta lograr alinearlos con la ranura.
4. Limpie la lente y el recinto de cualquier sellador de silicona restante antes de aplicar la nueva silicona y sustituir la lente. Reemplace el anillo toroidal por uno nuevo. Coloque la lente en el cuerpo del accesorio. Asegure firmemente los tornillos. Una vez que todos los tornillos estén apretados, sumerja lentamente el accesorio en agua para comprobar si hay presencia de burbujas de aire. Retire inmediatamente el accesorio del agua si aparecen burbujas de aire, ya que esto indica que no quedó bien sellado y no es resistente al agua. Apriete nuevamente los tornillos y realice la prueba otra vez.
5. Coloque de nuevo el accesorio en la pared y conéctelo.

PREPARACIÓN PARA EL INVIERNO

ADVERTENCIA

Consulte con un profesional de piscinas estatal o local sobre las preparaciones adecuadas para el invierno para los accesorios subacuáticos de la **luz VÜ LED sin nicho**.

El nivel de agua debe reducirse a unas 12 pulgadas por debajo de las luces. Asegúrese de que el agua se drena de la carcasa de la pared. La seguridad mínima requiere reducir el nivel de agua de 2 pulgadas a 4 pulgadas por debajo de la luz. NUNCA elimine el agua de la piscina sin comprobar los niveles freáticos del suelo.

SOLUCIÓN DE PROBLEMAS

Utilice los siguientes consejos para ayudarle a resolver los problemas que pudieran ocurrir durante el funcionamiento del **accesorio subacuático de luz VÜ LED sin nicho**.

Problema		Possible Causa/acción
Las luces no iluminan	Las luces no reciben energía	Compruebe la fuente de alimentación de 120VCA en el transformador: Compruebe si hay salida de 12VCA en el transformador: Compruebe o reinicie el interruptor diferencial (GFCI). Asegúrese de no haber usado 120 voltios en la instalación pues esto genera daño y anulará la garantía.
Una o más luces son tenues, parpadean o no funcionan	Mala conexión entre los cables de distintos calibres	Separe cada luz y conecte el 12VCA a una luz individual. Repita este proceso con cada luz. Si está usando una caja de conexiones, verifique que los cables estén instalados correctamente. Verifique que el cable entre el transformador y la caja de conexiones tenga el calibre correcto.
Luces de colores asincrónicas	Suministro de voltaje inadecuado o conexión deficiente de la luz	Compruebe la conexión adecuada de los cables con las luces que están asincrónicas. Reinicie todas las luces a blanco apagando las luces durante cinco (5) segundos y luego encendiéndolas.

El **accesorio subacuático de luz VÜ LED sin nicho** pueden recibir mantenimiento por parte de un electricista calificado. El cable y el accesorio de luz no deben ser retirados completamente de la piscina. Debe haber suficiente cable suministrado para retirar la luz del montaje de la pared y sacarla del agua con el fin de sustituir el cartucho de luz LED. Si no hay suficiente cable, o no se puede acceder al mismo, el agua de la piscina debe drenarse por debajo de la luz para acceder a la parte delantera de la misma.

GARANTÍA DE 3 AÑOS DE J&J ELECTRONICS, LLC PARA LAS LUCES COLORSPASH® VU Y PUREWHITE VU 1,5" SIN NICHOS PARA PISCINAS Y SPAS

J&J Electronics, LLC ("J&J") garantiza que sus accesorios de luz LED están libres de defectos de material y mano de obra, en condiciones de uso y servicio normales y, a partir de la fecha de compra, garantiza que sus productos duren lo especificado a continuación:

Línea de producto	Armazón	Módulo LED
ColorSplash VÜ Fixture	Tres (3) años	Tres (3) años*
PureWhite VÜ Fixture	Tres (3) años	Tres (3) años*

*Si durante los primeros veinticuatro (24) meses del período de garantía el módulo LED deja de funcionar debido a un defecto en el material o en la mano de obra, J&J, a su elección, reparará o reemplazará el accesorio sin costo alguno. Si entre el vigésimo quinto (25) y el trigésimo sexto (36) mes el módulo LED deja de funcionar debido a un defecto en el material o mano de obra, J&J concederá al cliente un crédito prorrateado para la compra de otro dispositivo de iluminación LED de J&J como única compensación.

NOTES / NOTA:

NOTES / NOTA:
