



10' Santorini II Fiesta Square Cantilever Umbrella with Sunbrella® Fabric

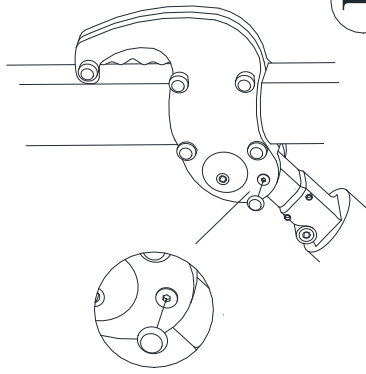
Instructions for Replacing Trigger Handle on Your Umbrella

- Step 1: Follow the pg.2 instructions, step 1-4, to remove the crank from the main pole, and you should see the rope and black plastic pulley.
- Step 2: Release the rope from the new crank you received
- Step 3 Use tape to attach the two ropes together (old and new).
***Tip:** Make sure the tape is long enough to hold both sides.
- Step 4: Use the tape to wrap both ends. Make sure it is tight around the rope. You will need to pull the rope through the main frame.
- Step 5: Pull the rope in the direction the arrow indicates
- Step 6: When you pull the one side, please make sure you guide the other side. Please see the picture. Please do this slowly and gently. The old rope will lead the new rope through the frame. Make sure these two ropes stay together the whole time.
- Step 7: When you see the taped part come out of the center of the frame, you are 70% done.
- Step 8: Pull the old rope out of the frame, and remove the black plastic end.
- Step 9: Push the new rope through the center part, and tie the plastic end to the new rope.
- Step 10: Use the crank to roll the rope back into the crank.
- Step 11: While you are doing step 10, make sure the plastic pulley is inside the frame and the rope is on the left side of the pulley as shown.
- Step 12: Make sure the crank is in position and you can see through the hole.
- Step 13: Follow step 10-12 on pg. 5 of instruction to install the crank.

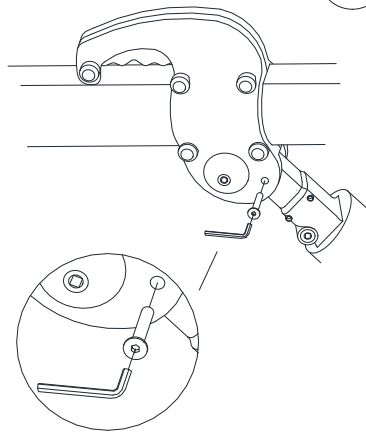
NU6245 • NU6250 • NU6255

www.bluewaveproducts.com

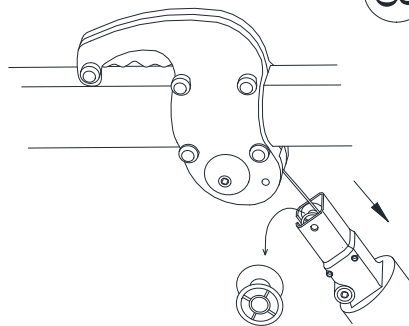
1



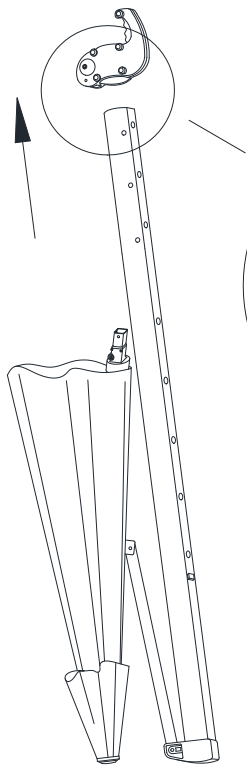
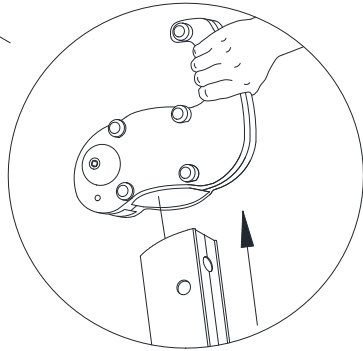
2



3



4





1.



2.



3.



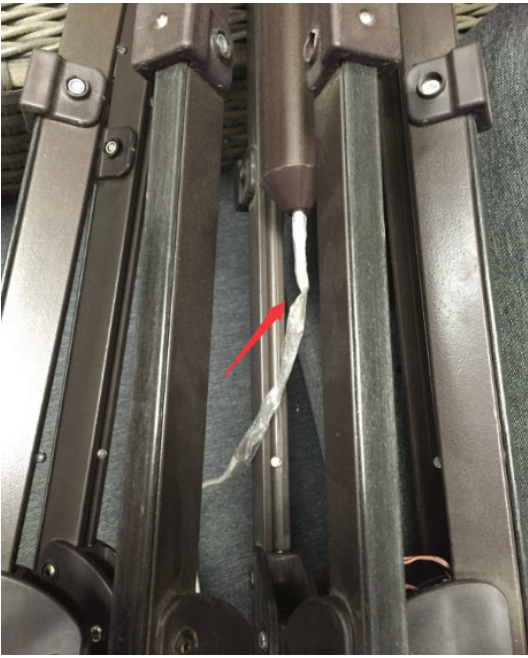
4.



5.



6.



7.



8.



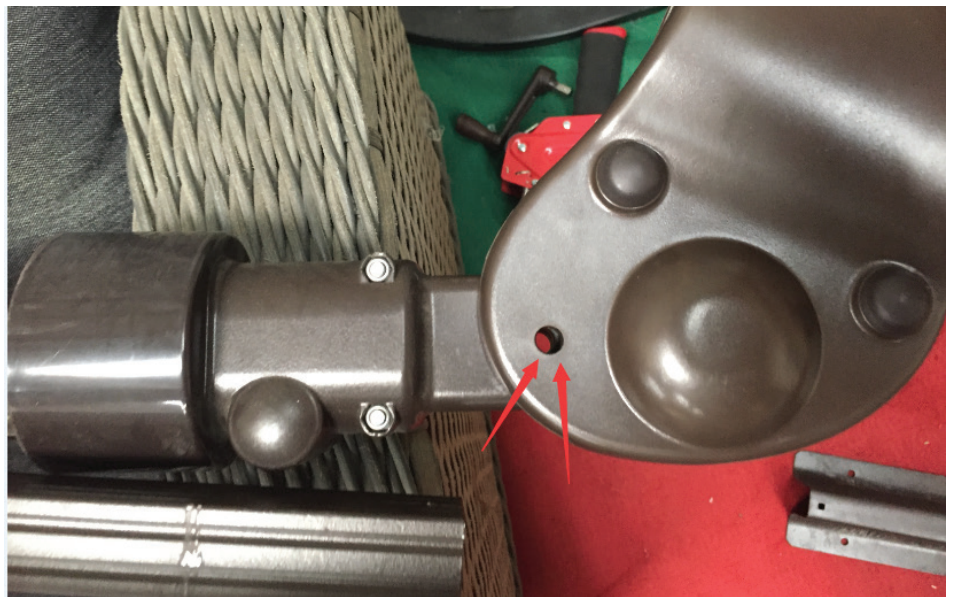
9.



10.

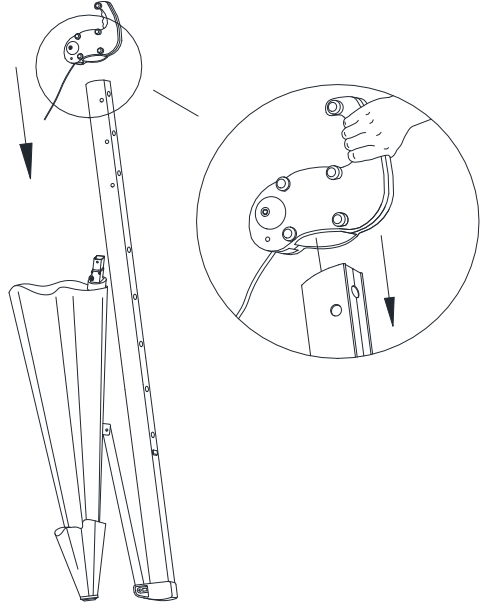


11.

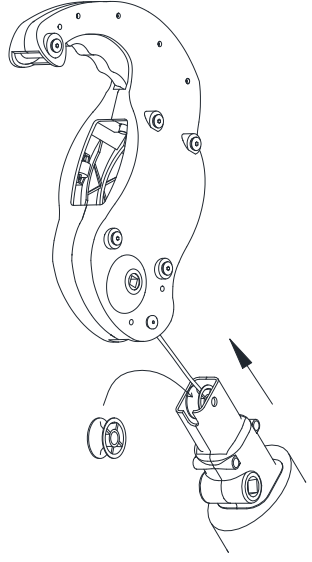


12.

10



11



12

