

Product: _____

Type: _____

Project: _____

BCB065 Contemporary Bullet

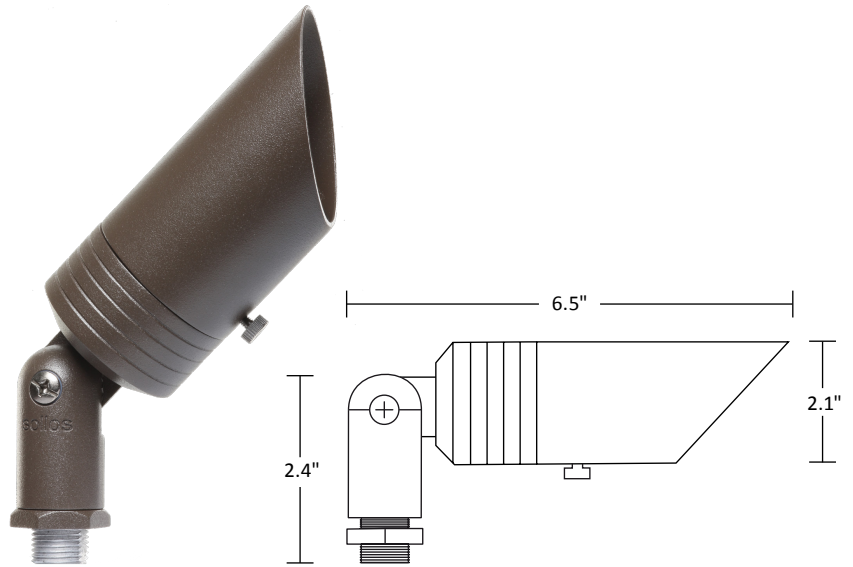
Architectural Aluminum

Fixture Ordering Guide

Product Code	Finish
BCB065	TB - Textured Black
	TZ - Textured Bronze

Order Lamp Separately

Example: BCB065-TB-MR16BAB/827/LED



Shroud:

- Textured Black or Textured Bronze
- UV resistant powder coat protects the finish from salt-spray induced corrosion
- Stainless Steel slotted thumbscrew for easy, tool-free lamp replacement

Housing:

- Aluminum construction
- Fully adjustable swivel arm with locking teeth maintains desired angles
- Two silicone o-rings provide a low-friction, watertight seal
- Gasketed knuckle to prevent water intrusion

Lens:

- Shock and heat-resistant clear, tempered glass

Socket:

- Ceramic GU5.3 bi-pin socket
- Stainless steel retention clip ensures secure lamp seating and protects the lamp from shock and vibration
- Heat-resistant wire leads

Lamp:

- MR16 – 35W maximum
- ProLED® MR16 lamps offer 40,000 hour rated life, 10-15V input voltage range, multiple beam spreads (flood, narrow flood, spot and wide flood) and 2700K, 3000K and colors (amber, blue, green, red and color changing options).

Mounting:

- 8" black ground stake included

Electrical:

- 12 Volt system
- Pre-wired with 36" 18-2 lead wire
- Two King® DryConn™ waterproof connectors included

Certifications:

- ETL Listed to UL Standard 1838 and CSA C22.2 No. 250.7

Fasteners:

- All fasteners are corrosion-resistant stainless steel

Warranty:

- Backed by a 5-year warranty to be free from defects in material and/or workmanship
- ProLED MR16 lamps installed in Sollos fixtures per installation instructions are backed by a 20-year limited warranty

Photometrics:

