



LED LAMPS

ProLED[®] **MR16 Black Series**



Energy Saver



Dimmable



Low Maintenance

Energy efficient and long-life alternative to 20W Halogen lamps



Three Distributions for Application Flexibility

Environmentally Friendly

Long-Lasting for Low Maintenance

3-Year Limited Warranty

Applications:

Landscape
Accent

Markets:

Residential
Commercial

Halco[®]
LIGHTING TECHNOLOGIES

where there's light, there's halco[®]

Contact Your Customer Care Specialist For Pricing, Orders And Technical Support.

800.677.3334 www.halcolighting.com

ProLED® MR16 Series

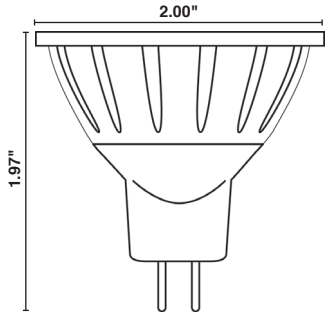
Product #: _____ Type: _____

Project: _____ Date: _____

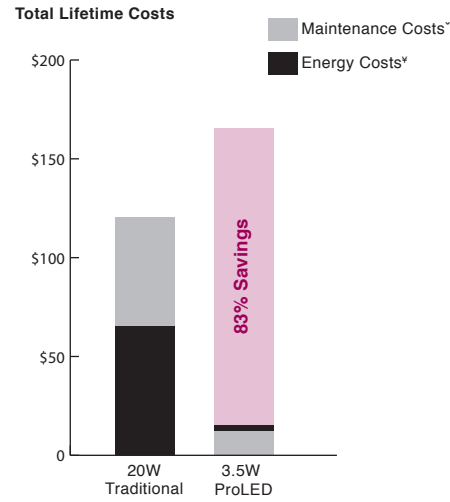
Comments: _____ Initials: _____

Specifications

- 30,000+ hour life results in lower maintenance costs over time
- Improved efficiency of ProLED® MR16 series by lowering wattage consumption and increasing light output
- 82 CRI for quality and consistent color rendering
- RoHS Compliant



Energy Savings Comparison



* Maintenance costs based on 15 minutes at \$40 per/hr
 † Energy costs based on \$0.11 kWh

Ordering Information

	Watt	Base	Product #	Product Code	Finish	Volts	Color Temp.	CRI	Lumens	Useful Life	Dimmable	Pkg. Qty.	MOL	Equivalent Wattage
⊕	3.5	GU5.3	81103	MR16NFL4/827/LED	Black	10-15	2700	82	250	30000	Yes	1/10	1.97	20
⊕	3.5	GU5.3	81098	MR16FL4/827/LED	Black	10-15	2700	82	250	30000	Yes	1/10	1.97	20
⊕	3.5	GU5.3	81099	MR16WFL4/827/LED	Black	10-15	2700	82	250	30000	Yes	1/10	1.97	20

⊕ NEW ITEM

* Useful Life is defined as the point in time at which the lamp will maintain at least 70% of its initial lumens. The lamp will continue to burn past this point, but at decreased light levels.

Warranty – Commercial / Industrial: This product is warranted for 3 years from the date of purchase, based on 10 hours of use per day.

Suitable for use in sealed metal landscape fixtures.