

Product: _____

Type: _____

Project: _____

PTH075 7.5" Traditional Hat Path Light

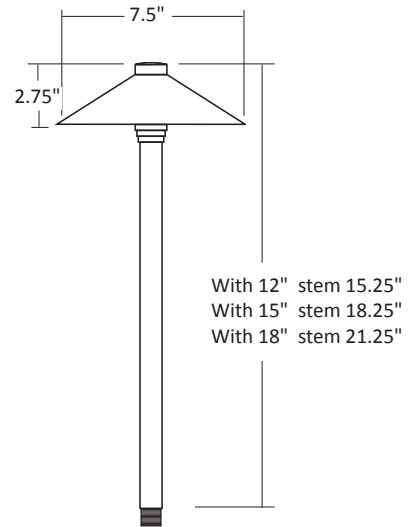
Natural Metal

Fixture Ordering Guide

Product Code	Finish	Stem
PTH075	AB - Antique Brass	12"
	BR - Brass	15"
	CU - Copper	18"
	SS - Stainless Steel	

JC20 Halogen lamp shipped with fixture. To substitute a ProLED® lamp, add lamp product code

Example: PTH075-AB-15-JC20/2WW/LED



Housing:

- Brass, Copper or Stainless Steel construction
- Underside of 7½" diameter hat is coated with white reflective paint for optimum output and diffusion
- Stepped, threaded brass collar for tool-less attachment and easy relamping
- Clear 2.55mm thick removable polycarbonate lens protects the lamp

Stem:

- 7/8" diameter stem provides solid, stable mounting

Finish:

- Antique Brass, Brass, Copper or Stainless Steel
- Brass and Copper age gracefully as patina develops
- Antique Brass finish is natural brass with an electrostatic coating that is hand polished and rubbed for an elegant, aged brass appearance

Socket:

- Ceramic G4 bi-pin socket
- Heat-resistant wire leads

Lamp:

- T3-G4 bi-pin – 20W maximum
- ProLED® JC lamps provide up-to 40,000 hour rated life, 10-18V input voltage range and 3000K, amber, blue, green and red color options
- ProLED® IP65 Rated JC lamps are rated for use outdoors where exposed directly to water from rain or irrigation

Mounting:

- 8" black ground stake included

Electrical:

- 12 Volt system
- Pre-wired with 36", 18-2 lead wire
- Two King® DryConn™ waterproof connectors included

Certifications:

- ETL Listed to UL Standard 1838 and CSA C22.2 No. 250.7

Warranty:

- Backed by a lifetime (Antique Brass, Brass and Stainless Steel) or 15-year (Copper) limited warranty to be free from defects in material and/or workmanship
- ProLED® IP65 Rated JC lamps installed in Sollos fixtures per installation instructions are backed by a 20-year limited warranty

Photometrics:

