

Product: _____
 Type: _____
 Project: _____

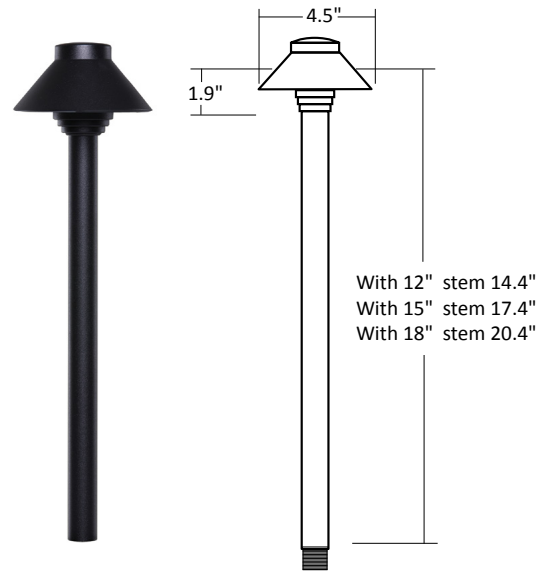
PSH040 4" Straight Hat Path Light

Architectural Aluminum

Fixture Ordering Guide

Product Code	Finish	Stem
PSH040	TB - Textured Black	12"
	TZ - Textured Bronze	15"
		18"

JC20 Halogen lamp shipped with fixture.
 To substitute a ProLED® lamp, add lamp product code.
 Example: PSH040-TB-15-JC20/2WW/LED



Housing:

- Aluminum construction
- Underside of 4" diameter hat is coated with white reflective paint for optimum output and diffusion
- Stepped, threaded collar for tool-less attachment facilitates easy relamping
- Clear 4mm thick lens protects the lamp

Stem:

- 7/8" diameter stem provides solid, stable mounting

Finish:

- Textured Black or Textured Bronze
- UV resistant powder coat protects the finish from salt-spray induced corrosion

Socket:

- Ceramic G4 bi-pin socket
- Heat-resistant wire leads

Lamp:

- T3-G4 bi-pin – 20W maximum
- ProLED® JC lamps provide up-to 40,000 hour rated life, 10-18V input voltage range and 3000K, amber, blue, green and red color options
- ProLED® IP65 Rated JC lamps are rated for use outdoors where exposed directly water from rain or irrigation

Mounting:

- 8" black ground stake included

Electrical:

- 12 Volt system
- Pre-wired with 36", 18-2 lead wire
- Two King® DryConn™ waterproof connectors included

Certifications:

- ETL Listed to UL Standard 1838 and CSA C22.2 No. 250.7

Warranty:

- Backed by a lifetime limited warranty to be free from defects in material and/or workmanship
- ProLED® IP65 Rated JC lamps installed in Sollos fixtures per installation instructions are backed by a 20-year limited warranty

Photometrics:

