

## 5.5" Ledge Light

**Model Number**-LLA055/827/TB

LLA055/827/TZ

**Replacement Lamp**-LLA055/827

### INSTRUCTIONS PERTAINING TO A RISK OF FIRE, OR INJURY. IMPORTANT SAFETY INSTRUCTIONS. SAVE THESE INSTRUCTIONS.

#### Safety Precautions

**WARNING!** Fixture and lamp become hot shortly after power activation. To reduce the risk of FIRE OR INJURY, never touch a hot lens, shroud, cover or lamp housing while fixture is operational. Always allow each fixture ample time for cooling prior to handling. If a serious burn occurs to the skin or eyes consult a physician immediately. **CAUTION:** Disconnect all power supplies before servicing. Product is intended for outdoor use only. Keep fixture away from combustible materials, maintenance clippings and all other flammable materials. Do not operate the luminaire with a missing or damaged shroud.

#### LED Information

This fixture is recommended for 12 volt AC input only.

Fixture is NOT rated for ground installation. Must be mounted 12" above grade minimum. LED operating range 10 to 15 volts AC. 0.6 watt LED at 12 volts. VA: 0.75

#### Fixture Maintenance

Each fixture must be inspected annually for damage and wear. Repair any damaged component of the fixture prior to the next operation. Always lubricate o-ring gaskets, machined threads, hex bolts, and set screws with a silicon grease product to facilitate reliable fixture function and longevity of components.

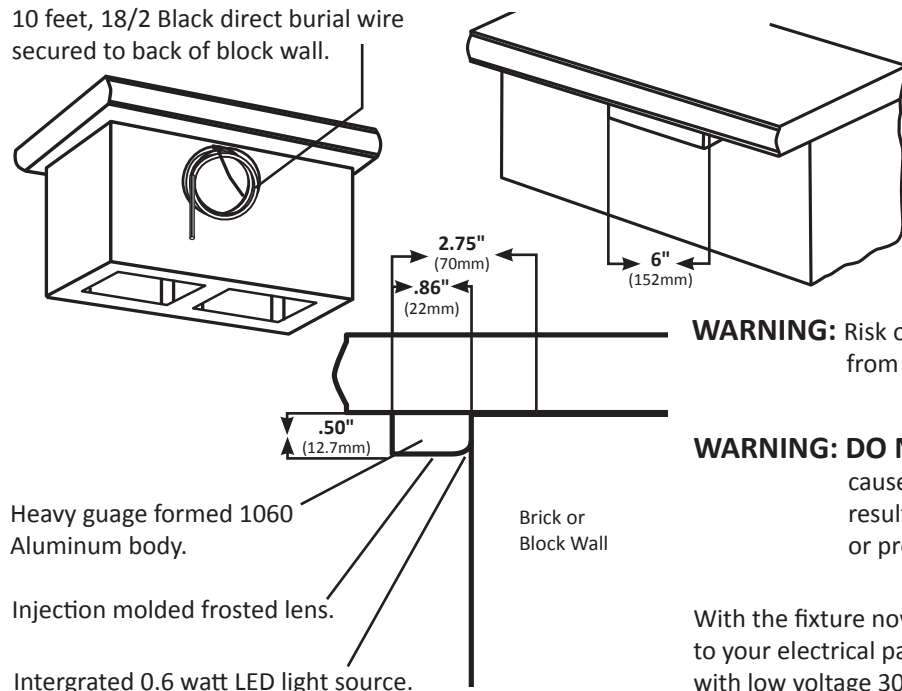
#### Product Warranty

Each fixture is thoroughly inspected prior to packaging to ensure our product is of the highest quality. **DO NOT** operate any fixture with a missing or damaged component.

Fixture warranty: 5-year (repair or replacement).

#### Fixture Installation

10 feet, 18/2 Black direct burial wire secured to back of block wall.



Locate fixture in the hardscape. Test fixture placement and spacing before adding mortar and installing the cap.

The luminaire or fitting is only for use with low voltage landscape lighting power units with a maximum output rating of 12 volts, 300 watts per secondary.

**WARNING:** Risk of electric shock. Install luminaire 10 feet or more from a pool, spa or body of water.

**WARNING: DO NOT** feed wires through separate slots. This will cause wiring to twist within the fixture and may result in a fire hazard or short circuit. Personal injury or property damage may result.

With the fixture now placed in your hardscape, route the lead wires to your electrical panel. Cable must be rated for direct burial for use with low voltage 30v and under.