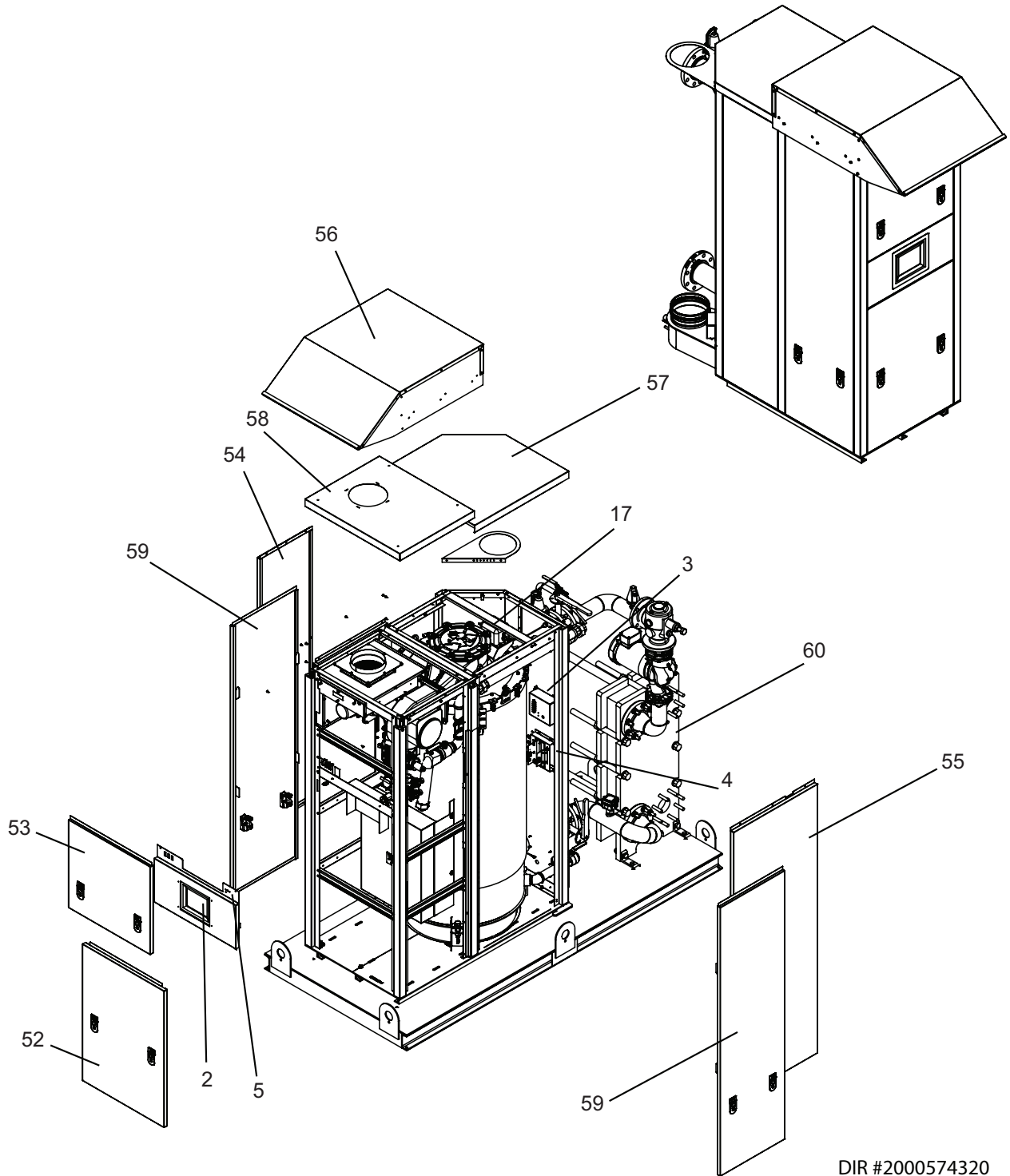




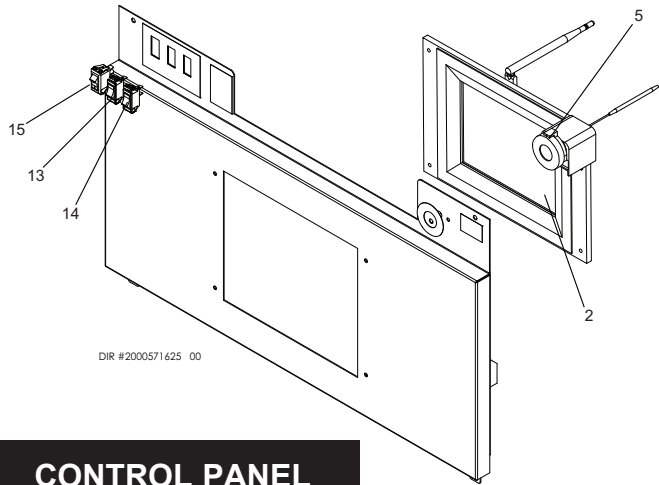
PARTS & SERVICE DEPARTMENT
 Nashville, Tennessee
 877-554-5544 • Fax: 615-882-2918
 parts_team@lochinvar.com
 www.Lochinvar.com

Replacement Parts List

**Indoor/Outdoor AQUAS™
 COMMERCIAL POOL PACKAGE
 APO 750 - 6000
 Series 100 - 101**

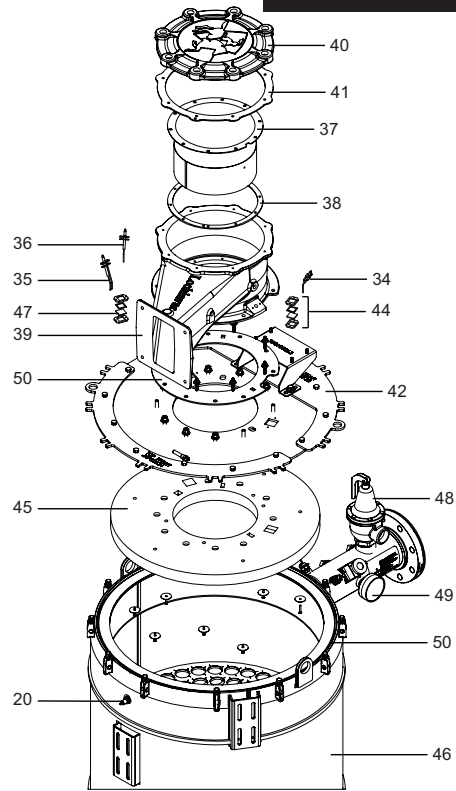


DISPLAY PANEL



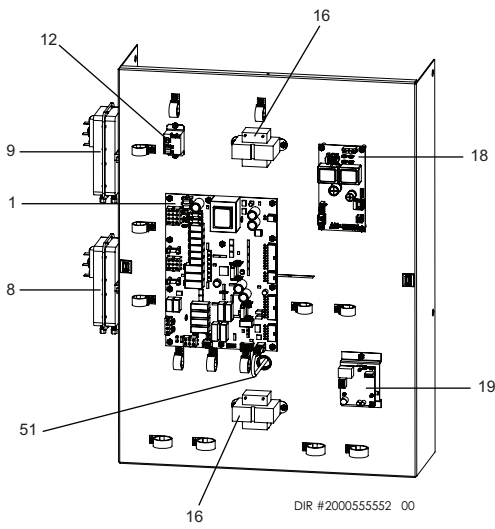
DIR #2000571625 00

HEAT EXCHANGER

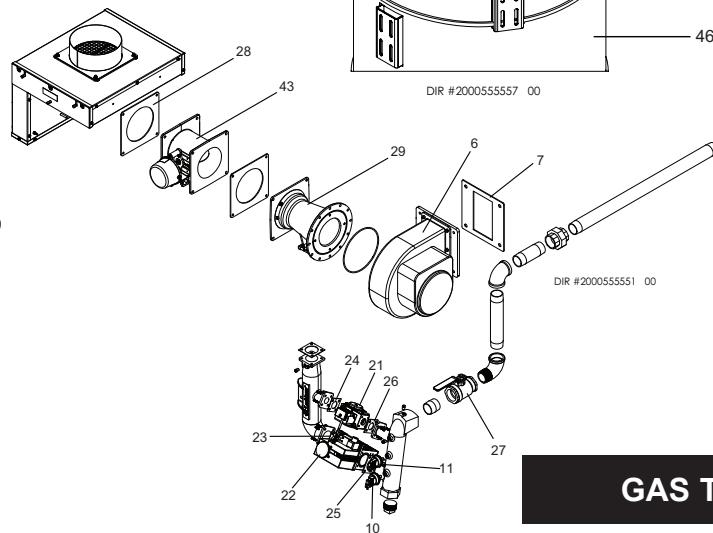


DIR #200055557 00

CONTROL PANEL

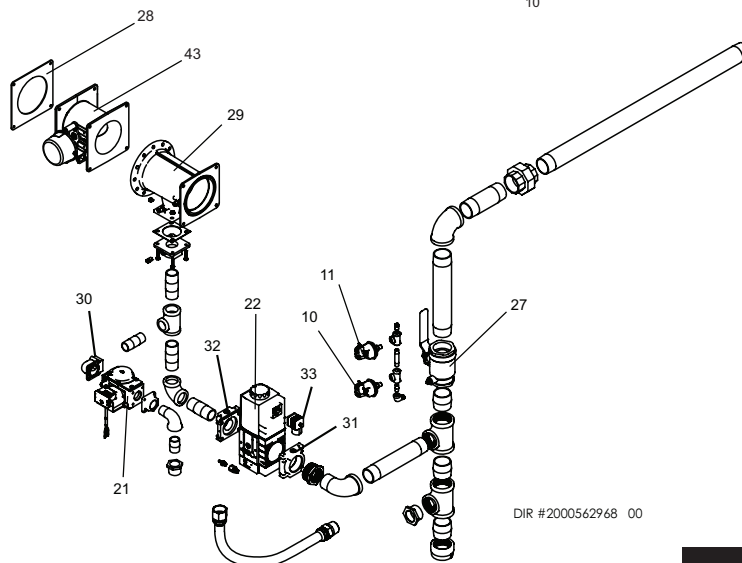


DIR #200055552 00



DIR #200055551 00

GAS TRAIN



DIR #2000562968 00

GAS TRAIN

ITEM NO.	PART NO.	DESCRIPTION	MODEL
CONTROLS (CONTINUED)			
1	100302184	INTEGRATED CONTROL BOARD	OF 751 - 1251
1	100302185	INTEGRATED CONTROL BOARD	OF 1501 - 2001
2	100311038	USER INTERFACE DISPLAY, LCD	ALL
-	100311232	GASKET, USER INTERFACE DISPLAY	ALL
3	100208481*	LOW VOLTAGE CONTROL BOARD	ALL
4	100208476*	LOW VOLTAGE CONTROL BOARD	ALL
-	100208552*	SENSOR, SYSTEM / INLET	ALL
-	100208557*	SENSOR, DUAL OUTLET	ALL
-	100208558*	SENSOR, PREMIX THERMOSTAT LIMIT	ALL
5	100271315*	HIGH LIMIT	ALL
-	100233695*	HIGH LIMIT THERMOSTAT BULB WELL, 3/8 NPT	ALL
6	100073294	FAN ASSEMBLY	OF 751 - 1251
6	100267460	FAN ASSEMBLY	OF 1501 - 2001
7	100208089*	GASKET, FAN	OF 751 - 1251
7	100277796*	GASKET, FAN	OF 1501 - 2001
8	100277772*	PRESSURE SWITCH - 4.1" WATER COLUMN	ALL
9	100289704*	PRESSURE SWITCH - 5.8" WATER COLUMN	OF 751 - 1251
9	100289706*	PRESSURE SWITCH - 2.5" WATER COLUMN	OF 1501 - 2001
10	100208385*	PRESSURE SWITCH - 3.0" WATER COLUMN	ALL
11	100274744*	PRESSURE SWITCH - 27.0" WATER COLUMN	ALL
-	100300586	RELAY, PILOT CONTROL, 10 AMP	ALL
12	100208509*	RELAY, 120VAC, 60HZ, 10.8 AMP	ALL
13	100277797	MOMENTARY SWITCH, RED - 20 AMP, 125 VOLT	ALL
14	100277798	MOMENTARY SWITCH, BLACK - 20 AMP, 125 VOLT	ALL
15	100271316	ON / OFF SWITCH, RED	ALL
16	100208230	TRANSFORMER, 24V, 40VA	ALL
17	100274743	TRANSFORMER, SPARK	ALL
18	100275047	BACNET BOARD (BEGINNING SERIAL #4015)	ALL
19	100173747	LOW WATER CUTOFF, MANUAL RESET	ALL
20	100277756	PROBE, LWCO	ALL
-	100277801	BOOT, LWCO	ALL
GAS TRAIN ASSEMBLIES			
21	100073358	GAS VALVE ASSEMBLY, NAT - SMALL	OF 751
21	100073359	GAS VALVE ASSEMBLY, NAT - SMALL	OF 1001
21	100073360	GAS VALVE ASSEMBLY, NAT - SMALL (SERIES 100 & 101)	OF 1251
21	100267412	GAS VALVE ASSEMBLY, NAT - SMALL (SERIES 100 & 101)	OF 1501
21	100267413	GAS VALVE ASSEMBLY, NAT - SMALL (SERIES 100 & 101)	OF 1751
21	100267414	GAS VALVE ASSEMBLY, NAT - SMALL (SERIES 100 & 101)	OF 2001
21	100310375	GAS VALVE ASSEMBLY, NAT - SMALL (SERIES 110 & 111)	ALL
21	100073364	GAS VALVE ASSEMBLY, LP - SMALL	OF 751
21	100073365	GAS VALVE ASSEMBLY, LP - SMALL	OF 1001
21	100073366	GAS VALVE ASSEMBLY, LP - SMALL (SERIES 100 & 101)	OF 1251
21	100267415	GAS VALVE ASSEMBLY, LP - SMALL (SERIES 100 & 101)	OF 1501
21	100267416	GAS VALVE ASSEMBLY, LP - SMALL (SERIES 100 & 101)	OF 1751
21	100267417	GAS VALVE ASSEMBLY, LP - SMALL (SERIES 100 & 101)	OF 2001
21	100310375	GAS VALVE ASSEMBLY, LP - SMALL (SERIES 110 & 111)	ALL
22	100073370	GAS VALVE ASSEMBLY, NAT - LARGE	OF 751
22	100073371	GAS VALVE ASSEMBLY, NAT - LARGE	OF 1001
22	100073372	GAS VALVE ASSEMBLY, NAT - LARGE (SERIES 100 & 101)	OF 1251
22	100267418	GAS VALVE ASSEMBLY, NAT - LARGE (SERIES 100 & 101)	OF 1501
22	100267419	GAS VALVE ASSEMBLY, NAT - LARGE (SERIES 100 & 101)	OF 1751
22	100310377	GAS VALVE ASSEMBLY, NAT - LARGE (SERIES 110 & 111)	OF 1251-1751
22	100267420	GAS VALVE ASSEMBLY, NAT - LARGE (SERIES 100 & 101)	OF 2001
22	100171973	GAS VALVE ASSEMBLY, NAT - LARGE (SERIES 110 & 111)	OF 2001
22	100073549	GAS VALVE ASSEMBLY, LP - LARGE	OF 751
22	100073550	GAS VALVE ASSEMBLY, LP - LARGE	OF 1001
22	100073551	GAS VALVE ASSEMBLY, LP - LARGE (SERIES 100 & 101)	OF 1251
22	100267421	GAS VALVE ASSEMBLY, LP - LARGE (SERIES 100 & 101)	OF 1501
22	100267422	GAS VALVE ASSEMBLY, LP - LARGE (SERIES 100 & 101)	OF 1751
22	100310377	GAS VALVE ASSEMBLY, LP - LARGE (SERIES 110 & 111)	OF 1251-1751
22	100267423	GAS VALVE ASSEMBLY, LP - LARGE (SERIES 100 & 101)	OF 2001
22	100171973	GAS VALVE ASSEMBLY, LP - LARGE (SERIES 110 & 111)	OF 2001
23	100208105*	GASKET, GAS VALVE / VENTURI (SERIES 100 & 101)	ALL
23	100113072*	GASKET, GAS VALVE / VENTURI (SERIES 110 & 111)	ALL
24	100289499*	GASKET, GAS TRAIN (SERIES 100 & 101)	ALL
25	100289500*	GASKET, GAS TRAIN (SERIES 100 & 101)	ALL
26	100289501*	GASKET, GAS TRAIN (SERIES 100 & 101)	ALL

PLEASE HAVE MODEL AND SERIAL NUMBER WHEN ORDERING PARTS
***ITEMS DENOTE SUGGESTED INVENTORY PARTS**

ITEM NO.	PART NO.	DESCRIPTION	MODEL
GAS TRAIN ASSEMBLIES (CONTINUED)			
27	100294593	1-1/4" GAS SHUT-OFF VALVE W/ TAP (SERIES 100 & 101)	OF 751 - 1251
27	100288549	1-1/2" GAS SHUT-OFF VALVE W/ TAP (SERIES 100 & 101)	OF 1501 - 2001
27	100113073	1-1/2" GAS SHUT-OFF VALVE W/ TAP (SERIES 110 & 111)	OF 1251-2001
28	100208089*	GASKET, VENTURI	ALL
29	100288548	VALVE, VENTURI	OF 751
29	100288481	VALVE, VENTURI	OF 1001 - 1251
29	100294592	VALVE, VENTURI	OF 1501 - 1751
29	100274223	VALVE, VENTURI	OF 2001
30	100287996	FLANGE, GAS VALVE, 3/4 NPT, 90 DEG (SERIES 110 & 111)	OF 1251-2001
31	100310379	FLANGE, GAS VALVE, 1-1/2 NPT, DUNGS (SERIES 110 & 111)	OF 1251-1751
32	100310376	SHUTTER, GAS VALVE, 1 NPT (SERIES 110 & 111)	OF 1251-1751
32	100274758	SHUTTER, GAS VALVE, 1-1/2 NPT (SERIES 110 & 111)	OF 2001
33	100310378	CONNECTOR, DUNGS, GAS VALVE (SERIES 110 & 111)	OF 1251-2001
PILOT AND BURNER ASSEMBLIES			
34	100073343*	SENSOR, FLAME W/ GASKET	ALL
-	100233664	GASKET, FLAME SENSOR	ALL
35	100073342*	IGNITOR W/ GASKET	OF 751 - 1251
35	100265150*	IGNITOR W/ GASKET	OF 1501 - 2001
36	100279407*	FLAME SENSOR, REAR, W/ GASKET & SCREWS	ALL
-	100233662	GASKET, IGNITOR	ALL
37	100072640	BURNER W/ GASKET	OF 751
37	100072641	BURNER W/ GASKET	OF 1001
37	100073280	BURNER W/ GASKET	OF 1251
37	100073281	BURNER W/ GASKET	OF 1501
37	100073282	BURNER W/ GASKET	OF 1751
37	100073283	BURNER W/ GASKET	OF 2001
38	100277963*	GASKET, BURNER	ALL
39	100073768	GAS/AIR MANIFOLD W/ GASKET	OF 751 - 1251
39	100073794	GAS/AIR MANIFOLD W/ GASKET	OF 1501 - 2001
40	100288523	COVER, MANIFOLD	ALL
41	100277962*	GASKET, MANIFOLD COVER	ALL
42	100075411	HEAT EXCHANGER DOOR ASSEMBLY	OF 751
42	100075413	HEAT EXCHANGER DOOR ASSEMBLY	OF 1001
42	100076515	HEAT EXCHANGER DOOR ASSEMBLY	OF 1251
42	100267481	HEAT EXCHANGER DOOR ASSEMBLY	OF 1501
42	100267482	HEAT EXCHANGER DOOR ASSEMBLY	OF 1751
42	100267483	HEAT EXCHANGER DOOR ASSEMBLY	OF 2001
43	100161834	AIR METERING VALVE	OF 751
43	100161835	AIR METERING VALVE	OF 1001
43	100161837	AIR METERING VALVE	OF 1251
43	100161836	AIR METERING VALVE	OF 1501 - 1751
43	100161838	AIR METERING VALVE	OF 2001
MISCELLANEOUS			
44	100163214	SIGHT GLASS KIT	ALL
45	100288672	FIBERBOARD, BURNER	OF 751
45	100288673	FIBERBOARD, BURNER	OF 1001
45	100288674	FIBERBOARD, BURNER	OF 1251
45	100288675	FIBERBOARD, BURNER	OF 1501
45	100288676	FIBERBOARD, BURNER	OF 1751
45	100288677	FIBERBOARD, BURNER	OF 2001
46	100288679	INSULATION, HEX WRAP	OF 751
46	100288680	INSULATION, HEX WRAP	OF 1001
46	100288681	INSULATION, HEX WRAP	OF 1251
46	100288682	INSULATION, HEX WRAP	OF 1501
46	100288683	INSULATION, HEX WRAP	OF 1751
46	100289400	INSULATION, HEX WRAP	OF 2001
47	100233667	GASKET, SIGHT GLASS	ALL
-	100153531	AIR INLET COVER	ALL
48	100208448	PRESSURE RELIEF VALVE, 1" X 1-1/4", 50 PSI	ALL
49	100208153	GAUGE, T&P, 0-75 PSI, 50-320F, 3", 1/2 NPT	ALL
-	100208561*	SENSOR, FLUE TEMP	ALL
-	100277775	GAS CUT OFF VALVE 1-1/2"	ALL

PLEASE HAVE MODEL AND SERIAL NUMBER WHEN ORDERING PARTS
*ITEMS DENOTE SUGGESTED INVENTORY PARTS

ITEM NO.	PART NO.	DESCRIPTION	MODEL
MISCELLANEOUS (CONTINUED)			
-	100277718	CONDENSATE TRAP	ALL
50	100289492*	KIT, GASKET SET (SIGHT GLASS / AIR MANIFOLD / HEX PLATE)	OF 751
50	100289493*	KIT, GASKET SET (SIGHT GLASS / AIR MANIFOLD / HEX PLATE)	OF 1001
50	100289494*	KIT, GASKET SET (SIGHT GLASS / AIR MANIFOLD / HEX PLATE)	OF 1251
50	100289495*	KIT, GASKET SET (SIGHT GLASS / AIR MANIFOLD / HEX PLATE)	OF 1501
50	100289496*	KIT, GASKET SET (SIGHT GLASS / AIR MANIFOLD / HEX PLATE)	OF 1751
50	100289497*	KIT, GASKET SET (SIGHT GLASS / AIR MANIFOLD / HEX PLATE)	OF 2001
-	100289433*	AIR FILTER, 1" X 14" X 14"	OF 751 - 1251
-	100302182*	AIR FILTER, 14" X 20"	OF 1501 - 2001
51	100277806	USB CABLE	ALL
-	100277807*	GASKET, AIR INLET COVER	ALL
-	100294590	PLATE ASSEMBLY, INLET ADAPTER	ALL
-	100276810	CABLE, RIBBON	ALL
-	100208633	WIRE HARNESS, SPARK ELECTRODE	ALL
-	100208631	WIRE HARNESS, FLAME SENSOR ELECTRODE	ALL
-	100208808*	FUSE, 1.25A / 250V	ALL
-	100208231*	FUSE, 3.15A / 250V	ALL
-	100208232*	FUSE, 5A / 250V	ALL
-	100208834	OUTDOOR AIR SENSOR	ALL
-	100277791	CONDENSATE HOSE, BRAIDED, 3/8"	ALL
-	100277792	CONDENSATE HOSE, BRAIDED, 1"	ALL
-	100274793	REFERENCE HOSE, 1/8" (ORDER BY FOOT)	ALL
-	100208336	ALUMINUM TUBING, 1/4"	ALL
-	100302180	COMPRESSION LATCH	ALL
-	100274737	ANTENNA, USB ADAPTER, WIRELESS	ALL
-	100289696	CABLE, USB, 2.0, 12"	ALL
-	100289697	CABLE, USB, 2.0, 60"	ALL
-	100288513	PANEL MOUNTING CABLE	ALL
-	100301827	OUTDOOR KIT	ALL
JACKET ASSEMBLIES			
52	100302143	JACKET, BOTTOM DOOR	ALL
53	100302144	JACKET, TOP DOOR	ALL
54	100302146	JACKET, LEFT SIDE	OF 751 - 1251
55	100302147	JACKET, RIGHT SIDE	OF 751 - 1251
56	100302148	JACKET, TOP	OF 751 - 1251
57	100302173	JACKET, TOP REAR	OF 1501 - 2001
58	100302174	JACKET, TOP FRONT	OF 1501 - 2001
59	100302175	JACKET, FRONT LEFT & RIGHT SIDE	OF 1501 - 2001
OUTDOOR AQUAS COMPONENTS			
-	100300586	RELAY, PILOT CONTROL, 10 AMP	ALL
60	100300551	PLATE, HEX, SMALL, M6, MFG, AQUAS / CREST	APO 750 - 1250
-	100300554	PLATE, HEX, LARGE, M10, MFG, AQUAS / CREST	APO 1500 - 2000
-	100300558	GASKET, HEX, SMALL, M6, MFG, AQUAS / CREST	APO 1000 - 1250
-	100300559	GASKET, HEX, LARGE, M10, MFG, AQUAS / CREST	APO 1500 - 2000
-	100300560	HEX, SMALL, M6, MFG, AQUAS / CREST	APO 1000 - 1250
-	100300581	HEX, LARGE, M10, MFG, AQUAS / CREST	APO 1500 - 2000
-	100300582	TANK, EXPANSION, 8 GAL, TTA - 20	ALL
-	100300583	GASKET, PIPING ASSEMBLY	APO 1000 - 1250
-	100300585	GASKET, PIPING ASSEMBLY	APO 1500 - 2000
-	100300618	VALVE, AIR VENT, 3/4 NPT, 150 PSI	ALL
PLEASE HAVE MODEL AND SERIAL NUMBER WHEN ORDERING PARTS *ITEMS DENOTE SUGGESTED INVENTORY PARTS			

Notes

Notes

