

# 10" ROUND COLOR CHOICE® SUCTION OUTLET COVER WITH 3" SOCKET x 4" SPIGOT SIDE PORT SUMP



## VGB CERTIFIED SPECIFICATIONS

**Floor Flow Rating**  
156 GPM at 1.9 fps

**Wall Flow Rating**  
156 GPM at 1.9 fps

**Sump Depth**  
*Use sump included*

**Open Area**  
26.5 in<sup>2</sup>

## FEATURES

All components meet or exceed ANSI/APSP 16-2011 and NSF/ANSI 50-2009a national standards and ASTM G154 UV testing exposure

Sump manufactured from strong PVC sump with 3" socket and 4" spigot side port, and 2" socket 2½" spigot bottom port

Manufactured from superior UV-resistant engineered polymers

Comes with 3" and 2" NPT cap with o-ring for pressure testing and winterizing

#316 stainless steel screws

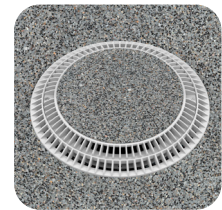
Trademarked VGB compliance button easily identifies VGB 2008 compliant cover from on deck and underwater

Online product support including downloadable CAD files, General Certificate of Conformity, third-party certificate, installation instructions and more

Replace drain cover every five years from the date of installation

1 per case

## NEW Hassle-free pressure testing and winterizing



Unique design allows the cover to blend into pool finish



Optional 2" hydrostatic relief valve available p/n SK43101



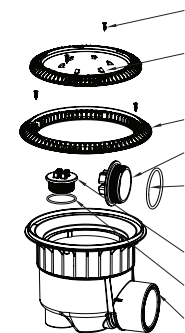
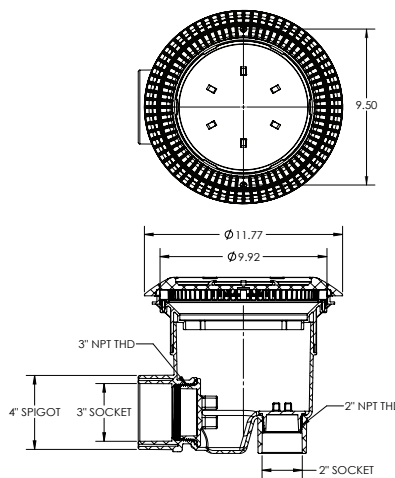
**Hassle-free pressure testing and winterizing**  
Comes with a 3" and 2" NPT cap with O-ring. *No knock-outs required.*

Part # CC10xxxSSB

## STANDARD COLORS

- CC10101SSB – White
- CC10102SSB – Black
- CC10103SSB – Light Gray
- CC10104SSB – Blue
- CC10105SSB – Dark Gray
- CC10108SSB – Tan
- CC10100SSB – Clear

VGB 2008 Compliant



1. Side Port Sump Bucket, 10" Round Frame
2. 2" NPT Plug O-Ring
3. 2" NPT Plug
4. 3" NPT Plug O-Ring
5. 3" NPT Plug
6. 10" Color Choice Riser
7. 10" Color Choice Round Suction Outlet Cover
8. 10 x 3/4" Flat Head Phillips, 316 SS, Qty 4

P 877-768-2717 F 877-276-POOL Outside the US: P +1-949-336-1940 F +1-949-336-1940  
info@aquastarpoolproducts.com www.aquastarpoolproducts.com