



Lochinvar®

HIGH EFFICIENCY BOILERS & WATER HEATERS

PARTS & SERVICE DEPARTMENT

Nashville, Tennessee

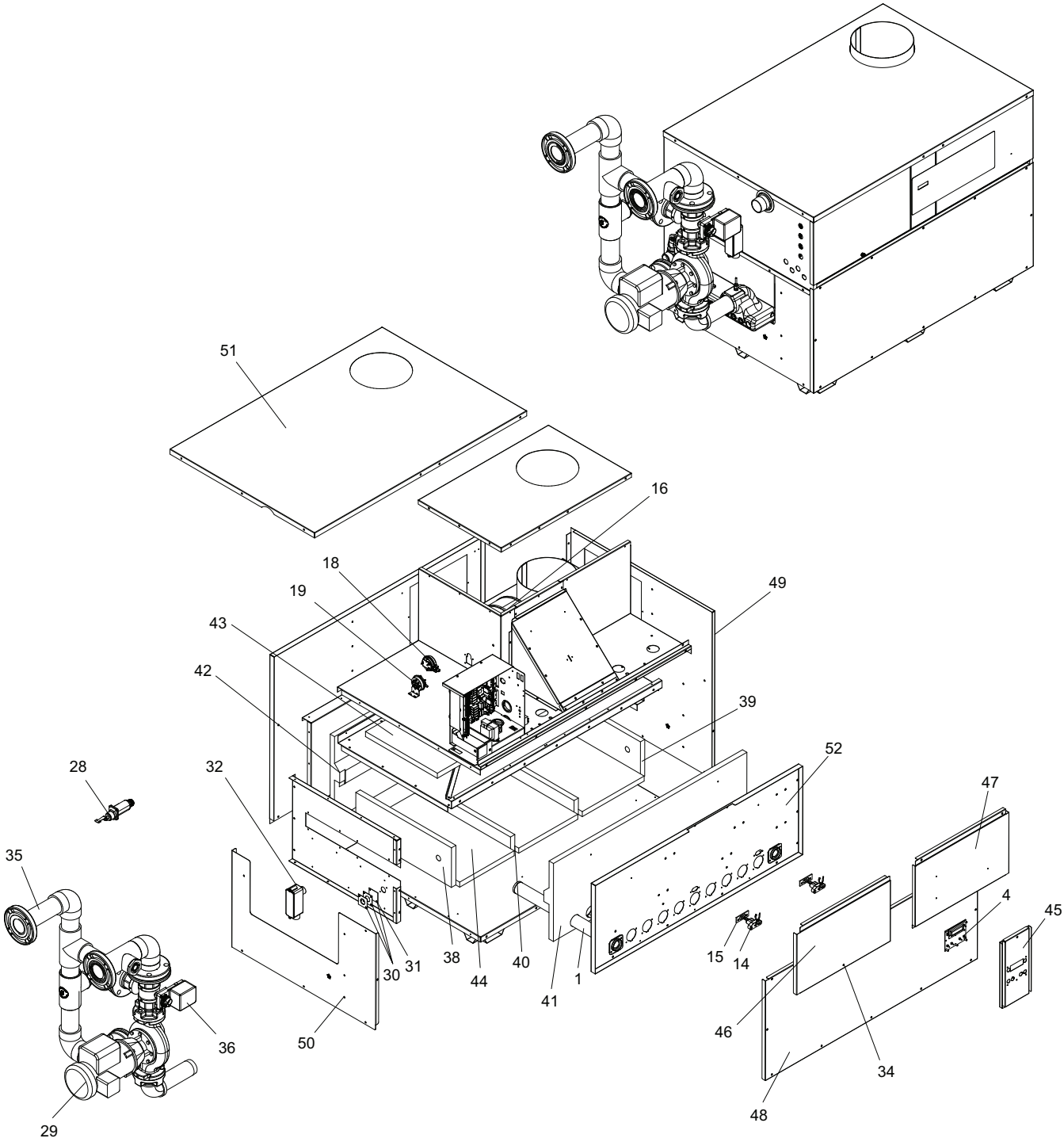
877-554-5544 • Fax: 615-547-1000

parts_team@lochinvar.com

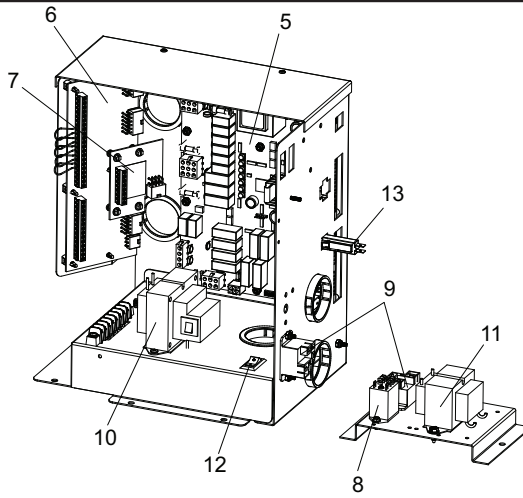
www.Lochinvar.com

Replacement Parts List

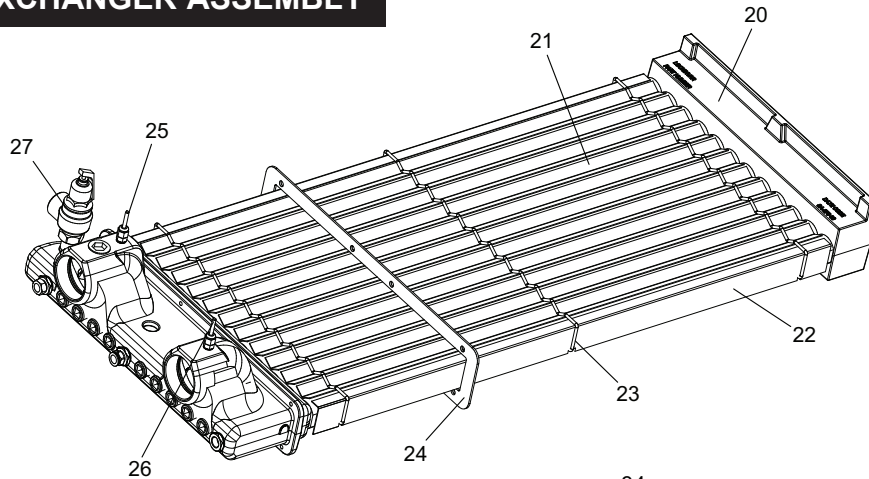
Copper-Fin²® Commercial Pool Heaters CP 992 -2072



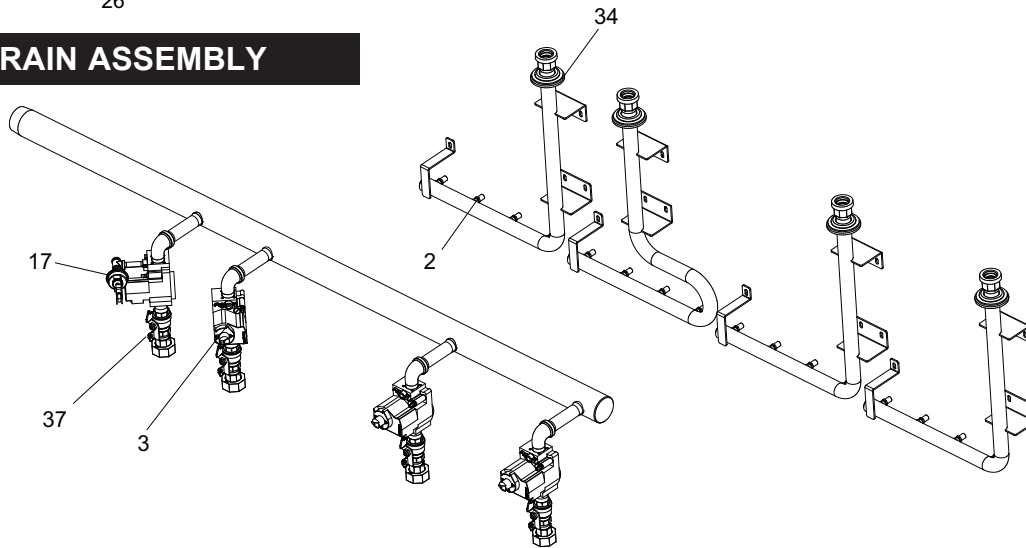
CONTROL PANEL ASSEMBLY



HEAT EXCHANGER ASSEMBLY



GAS TRAIN ASSEMBLY



ITEM NO.	PART NO.	DESCRIPTION	MODEL NO.
----------	----------	-------------	-----------

BURNERS

ITEM NO.	PART NO.	DESCRIPTION	MODEL NO.
1	Model	100135304	100135312
	992	10 ea	1 ea
	1262	13 ea	1 ea
	1442	15 ea	1 ea
	1802	19 ea	1 ea
100135304 is Main Burner	2072	22 ea	1 ea
	100135312 is Main Burner w/ compression fitting.		

GAS TRAIN ASSEMBLIES

2	100208343	ORIFICE, NATURAL	ALL
2	100208342	ORIFICE, LP	ALL

PLEASE HAVE MODEL AND SERIAL NUMBER WHEN ORDERING PARTS

*ITEMS DENOTE SUGGESTED INVENTORY PARTS

ITEM NO.	PART NO.	DESCRIPTION	MODEL NO.
CONTRLS & GAUGES			
3	100208604	GAS VALVE, NATURAL	ALL
3	100208608	GAS VALVE ASSEMBLY, LP	ALL
4	100208468*	USER INTERFACE CONTROL	ALL
5	100208469*	BOARD, MAIN CONTROL	ALL
6	100208475*	BOARD, CONNECTOR	ALL
7	100167850*	BOARD, SENSOR	ALL
8	100208490*	RELAY, DPDT	ALL
9	100208509*	RELAY, 120VAC, 60HZ, 10.8AMP	ALL
10	100208246	TRANSFORMER, 24V, 60VA	ALL
11	100208246	TRANSFORMER, 24V, 60VA	992
11	100208251	TRANSFORMER, 75VA, 120V TO 24V	1262 & 1442
11	100288473	TRANSFORMER, 120V, 50/60 HZ	1802 & 2072
12	100208242	SWITCH, ON / OFF	ALL
13	100289379	CIRCUIT BREAKER, 5 AMP	1802-2072
14	100165937*	HOT SURFACE IGNITOR	ALL
15	100208087	GASKET, IGNITOR	ALL
16	100233485	FAN ASSEMBLY	992 -1442
16	100144992	FAN ASSEMBLY	1802 & 2072
17	100208389*	GAS PRESSURE SWITCH, NAT ONLY	ALL
18	100294586*	PRESSURE SWITCH, .63" WATER COLUMN	992
18	100294585*	PRESSURE SWITCH, .68" WATER COLUMN	1262
18	100276815*	PRESSURE SWITCH, .58" WATER COLUMN	1442
18	100294587*	PRESSURE SWITCH, .50" WATER COLUMN	1802
18	100294588*	PRESSURE SWITCH, .55" WATER COLUMN	2072
19	100208384*	PRESSURE SWITCH, .85" WATER COLUMN	ALL
HEAT EXCHANGERS			
20	100147311	HEAT EXCHANGER - HLW STAMP, 990MBH (BEFORE 04-01-2017)	992
20	100147313	HEAT EXCHANGER - HLW STAMP, 1260MBH (BEFORE 04-01-2017)	1262
20	100147314	HEAT EXCHANGER - HLW STAMP, 1440MBH (BEFORE 04-01-2017)	1442
20	100147326	HEAT EXCHANGER - HLW STAMP, 1800MBH, CN (BEFORE 4-1-2017)	1802
20	100147327	HEAT EXCHANGER - HLW STAMP, 2070MBH, CN (BEFORE 4-1-2017)	2072
20	100147317	HEAT EXCHANGER - H STAMP, 990MBH (BEGINNING 4-1-2017)	992
20	100147318	HEAT EXCHANGER - H STAMP, 1260MBH (BEGINNING 4-1-2017)	1262
20	100147319	HEAT EXCHANGER - H STAMP, 1440MBH (BEGINNING 4-1-2017)	1442
20	100147331	HEAT EXCHANGER - H STAMP, 1800MBH, CN (BEGINNING 4-1-2017)	1802
20	100147332	HEAT EXCHANGER - H STAMP, 2070MBH, CN (BEGINNING 4-1-2017)	2072
21	100152280	V-BAFFLE (11 REQ.)	992
21	100152281	V-BAFFLE (11 REQ.)	1262
21	100152282	V-BAFFLE (11 REQ.)	1442
21	100152283	V-BAFFLE (11 REQ.)	1802
21	100152284	V-BAFFLE (11 REQ.)	2072
22	100152598	FRAME RUNNER (2 REQ.)	992
22	100152599	FRAME RUNNER (2 REQ.)	1262
22	100152600	FRAME RUNNER (2 REQ.)	1442
22	100152601	FRAME RUNNER (2 REQ.)	1802
22	100152602	FRAME RUNNER (2 REQ.)	2072
23	100208313	RETAINER, V-BAFFLE (3 REQ.)	ALL
24	100233660*	GASKET, HEAT SHIELD	ALL
25	100208559*	OUTLET SENSOR, DUAL IMMERSION	ALL
26	100208553*	INLET SENSOR	ALL
27	100208446*	T&P RELIEF VALVE, 3/4", 150 PSI	ALL
28	100208655*	FLOW SWITCH, POOL	ALL
PUMPS			
29	100133602	PUMP ASSEMBLY, 1/2HP, 2-1/2" FLG, BRONZE	992-1442
29	100133617	PUMP ASSEMBLY, 3/4HP, 2-1/2" FLG, BRONZE	1802 - 2072
MISCELLANEOUS			
30	100163259	SIGHT GLASS AND GASKET KIT	ALL
31	100233729	GASKET, SIGHT GLASS	ALL
32	100289397	CONDUIT BODY, 1-1/4", PVC	ALL
33	100289391	SCREW, KNURLED HEAD	ALL
34	100208097	GASKET, ESCUTCHEON, 3/4"	ALL
35	100166616	CPVC PIPING LOOP 2 1/2" HORIZONTAL	ALL
35	100166617	CPVC PIPING LOOP 2 1/2" VERTICAL	ALL
36	100276831*	3-WAY BYPASS VALVE, 2-1/2"	ALL
37	100288508	GAS SHUT-OFF VALVE, 3/4 NPT, BRASS	ALL
-	100209264*	ACTUATOR, 3-WAY VALVE (NOTE: MOUNTING KIT 100340177 REQUIRED TO REPLACE A HONEYWELL OR NEPTRONIC ACTUATOR)	ALL

PLEASE HAVE MODEL AND SERIAL NUMBER WHEN ORDERING PARTS
*ITEMS DENOTE SUGGESTED INVENTORY PARTS

ITEM NO.	PART NO.	DESCRIPTION	MODEL NO.
MISCELLANEOUS (CONTINUED)			
-	100340177*	MOUNTING KIT, ACTUATOR	ALL
-	100208231*	FUSE, 3.15A / 250V	ALL
-	100208232*	FUSE, 5A / 250V	ALL
-	100278141	GASKET, ESCUTCHEON, 2"	ALL
-	100146604	GASKET, STRIP 45"	ALL
-	100208572	TUBING, GRAY, 3/16" X 5/16"	ALL
-	100208573	TUBING, ALUMINUM, 1/8"	ALL
-	100208063*	FILTER - 16" X 16" X 1"	ALL
-	100233587*	GASKET, BURNER	ALL
-	100146588	GASKET, BLACK PVC, 1/4" X 5/8" X 25'	ALL
-	100289393	TEE, 3/16" HOSE MENDER, NYLON	ALL
-	100208319	CAP, 3/16" TEE FITTING, SILICONE	ALL
-	100233496*	BULB WELL 3/4" NPT X .382 ID	ALL
-	100173747	LOW WATER CUT-OFF, MANUAL RESET (OPTIONAL)	ALL
-	100173748	LOW WATER CUT-OFF, AUTO RESET (OPTIONAL)	ALL
-	100208662	LOW WATER CUT-OFF PROBE (OPTIONAL)	ALL
-	100277801	LOW WATER CUT-OFF BOOT (OPTIONAL)	ALL
-	100157647	HIGH / LOW GAS PRESSURE SWITCH KIT	ALL
-	100208401	LOW GAS PRESSURE SWITCH	ALL
-	100327234	HIGH GAS PRESSURE SWITCH	ALL
LOCH-HEAT TILE			
38	100145343	LOCH-HEAT TILE, FRONT HEAD SIDE	ALL
39	100145344	LOCH-HEAT TILE, REAR HEAD SIDE	ALL
40	100145346	LOCH-HEAT TILE, DIVIDER	ALL
41	100145351	LOCH-HEAT TILE, FRONT DOOR	992
41	100145352	LOCH-HEAT TILE, FRONT DOOR	1262
41	100145353	LOCH-HEAT TILE, FRONT DOOR LEFT	1442
41	100145354	LOCH-HEAT TILE, FRONT DOOR RIGHT	1442
41	100145401	LOCH-HEAT TILE, FRONT DOOR LEFT	1802
41	100145356	LOCH-HEAT TILE, FRONT DOOR RIGHT	1802
41	100145357	LOCH-HEAT TILE, FRONT DOOR LEFT	2072
41	100145358	LOCH-HEAT TILE, FRONT DOOR RIGHT	2072
42	100145337	LOCH-HEAT TILE, BACK	992
42	100145338	LOCH-HEAT TILE, BACK	1262
42	100145339	LOCH-HEAT TILE, BACK LEFT	1442
42	100145340	LOCH-HEAT TILE, BACK LEFT	1802
42	100145341	LOCH-HEAT TILE, BACK LEFT	2072
42	100145342	LOCH-HEAT TILE, BACK RIGHT	1442 - 2072
43	100145312	INSULATION PAD, TOP	992
43	100145314	INSULATION PAD, TOP	1262
43	100145568	INSULATION PAD, TOP	1442
43	100145316	INSULATION PAD, TOP	1802
43	100145570	INSULATION PAD, TOP	2072
44	100145345	LOCH-HEAT TILE, LEFT BOTTOM	992
44	100145347	LOCH-HEAT TILE, MIDDLE BOTTOM	992
44	100145348	LOCH-HEAT TILE, RIGHT BOTTOM	992
44	100145349	LOCH-HEAT TILE, LEFT BOTTOM	1262
44	100145347	LOCH-HEAT TILE, MIDDLE BOTTOM (2)	1262
44	100145350	LOCH-HEAT TILE, RIGHT BOTTOM	1262
44	100145361	LOCH-HEAT TILE, LEFT BOTTOM	1442
44	100145347	LOCH-HEAT TILE, MIDDLE BOTTOM (2)	1442
44	100145362	LOCH-HEAT TILE, RIGHT BOTTOM	1442
44	100145363	LOCH-HEAT TILE, LEFT BOTTOM	1802
44	100145347	LOCH-HEAT TILE, MIDDLE BOTTOM (3)	1802
44	100145364	LOCH-HEAT TILE, RIGHT BOTTOM	1802
44	100145365	LOCH-HEAT TILE, LEFT BOTTOM	2072
44	100145347	LOCH-HEAT TILE, MIDDLE BOTTOM (3)	2072
44	100145366	LOCH-HEAT TILE, MIDDLE BOTTOM (1)	2072
44	100145367	LOCH-HEAT TILE, RIGHT BOTTOM	2072
JACKET ASSEMBLIES			
45	100152318	JACKET, OUTER FRONT UPPER MIDDLE	ALL
46	100152572	JACKET, OUTER FRONT UPPER LEFT	ALL
47	100152319	JACKET, OUTER FRONT UPPER RIGHT	992
47	100152320	JACKET, OUTER FRONT UPPER RIGHT	1262
47	100152321	JACKET, OUTER FRONT UPPER RIGHT	1442
47	100152322	JACKET, OUTER FRONT UPPER RIGHT	1802
47	100152323	JACKET, OUTER FRONT UPPER RIGHT	2072
48	100152560	JACKET, OUTER FRONT LOWER	992
48	100152561	JACKET, OUTER FRONT LOWER	1262

PLEASE HAVE MODEL NUMBER AND SERIAL NUMBER WHEN ORDERING PARTS
*ITEMS DENOTE SUGGESTED INVENTORY PARTS

ITEM NO.	PART NO.	DESCRIPTION	MODEL NO.
JACKET ASSEMBLIES CONTINUED			
48	100152562	JACKET, OUTER FRONT LOWER	1442
48	100152563	JACKET, OUTER FRONT LOWER	1802
48	100152564	JACKET, OUTER FRONT LOWER	2072
49	100152553	JACKET, OUTER REAR HEAD	ALL
50	100152550	JACKET, OUTER LEFT LOWER HEAD	ALL
51	100152555	JACKET, OUTER TOP	992
51	100152556	JACKET, OUTER TOP	1262
51	100152557	JACKET, OUTER TOP	1442
51	100152558	JACKET, OUTER TOP	1802
51	100152559	JACKET, OUTER TOP	2072
52	100152313	DOOR, COMBUSTION CHAMBER	992
52	100152314	DOOR, COMBUSTION CHAMBER	1262
52	100152315	DOOR, COMBUSTION CHAMBER	1442
52	100152316	DOOR, COMBUSTION CHAMBER	1802
52	100152317	DOOR, COMBUSTION CHAMBER	2072
NOTE: CP = POOL HEATER PLEASE HAVE MODEL NUMBER AND SERIAL NUMBER WHEN ORDERING PARTS *ITEMS DENOTE SUGGESTED INVENTORY PARTS			

NOTES

NOTES

