

SR SmithTM

LiftOperatorTM

LiftOPERATORTM



LiftOperator



INTELLIGENT CONTROL SYSTEM

LiftOperator™ brings together security, safety and energy management in a single integrated design.

- Backwards Compatible with all S.R.Smith and Other Common Pool Lifts
- Emergency Stop Switch
- Hand Control Activated Audible Safety Alert
- Full Set of Operational Controls on Touch Pad
- Activation Key to Prevent Unauthorized Use (Option)
- Locking Plate Assembly to Secure Battery
- Downloadable Performance Log
- 3 Battery Charge Status LEDs
- Energy Efficient (20 times more efficient than common controls)
- Patent Pending

Also available:

- Two Button Control Option— for use with multiLift
- Two Button Control with Key® Option— for use with multiLift
- Four Button Control Option— for use with aXs, Splash and PAL Lifts
- Four Button with Key® Option— for use with aXs, Splash and PAL Lifts

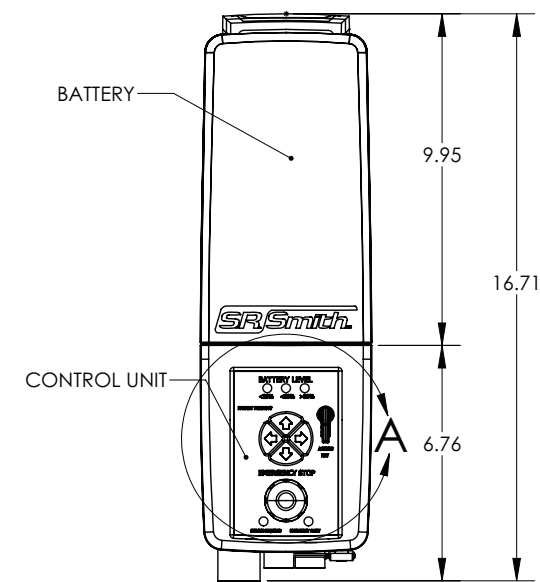
MODEL NO.	DESCRIPTION	SHIPPING WT.	L	W	H
1001540	Two Button Control	10 lbs. (4.38 kg)	15.75" (40 cm)	4.72" (11.98 cm)	4.35" (11.04 cm)
1001545	Two Button Control w/ Key	10 lbs. (4.38 kg)	15.75" (40 cm)	4.72" (11.98 cm)	4.35" (11.04 cm)
1001550	Four Button Control	10 lbs. (4.38 kg)	15.75" (40 cm)	4.72" (11.98 cm)	4.35" (11.04 cm)
1001555	Four Button Control w/ Key	10 lbs. (4.38 kg)	15.75" (40 cm)	4.72" (11.98 cm)	4.35" (11.04 cm)

*Key activated control units are intended to be used in locations where having an "always on" unit is not practical due to safety issues or lack of an attendant.

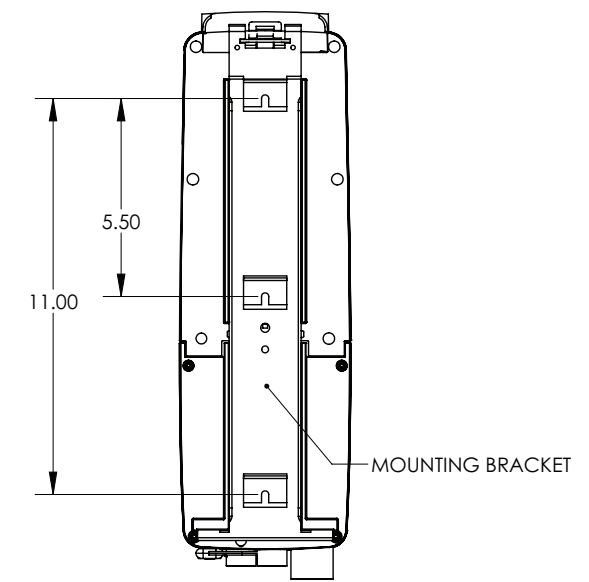
Activation Key (Option)



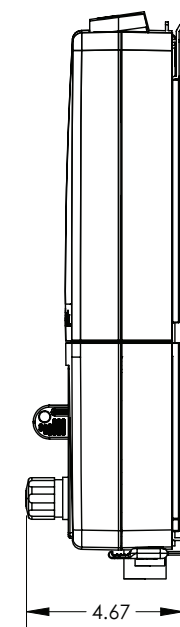
Front View



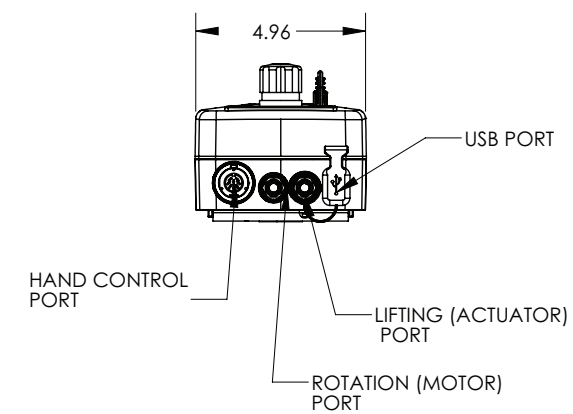
Back View



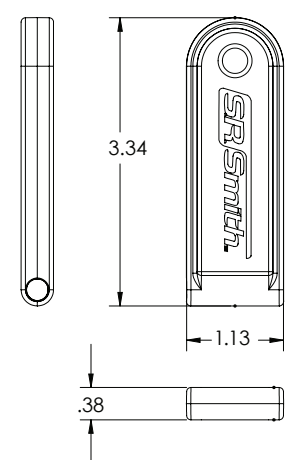
Side View



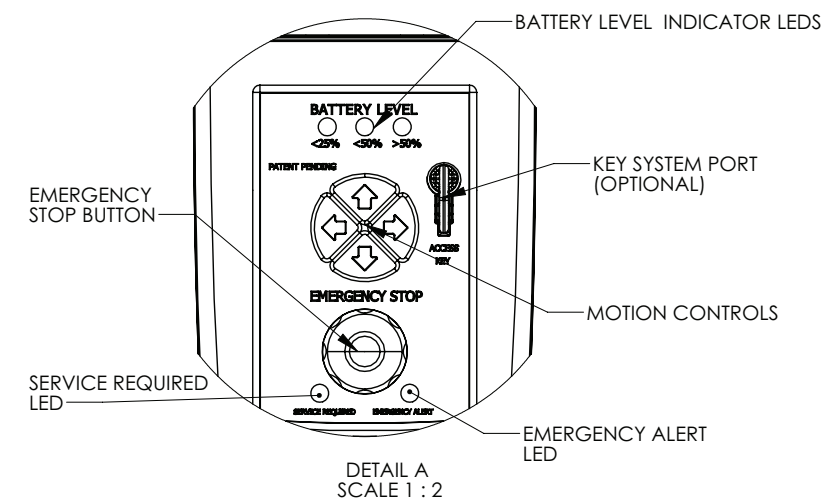
Bottom View



Key (Optional)



Close-Up Panel View



LiftOperator™ Product Specification

Product Name: LiftOperator™ —Pool Lift Control System with Rechargeable Battery Pack

Part Numbers: 1001540 (2 button Control System Assembly with Rechargeable Battery Pack)
 1001550 (4 button Control System Assembly with Rechargeable Battery Pack)
 1001545 (2 button Control System w/Activation Key and Rechargeable Battery Pack)
 1001555 (4 button Control System Assembly w/Activation Key and Rechargeable Battery Pack)
 1001495 (Rechargeable Battery Pack Replacement)

- a. LiftOperator—Pool Lift Control System with Rechargeable Battery Pack is designed to operate any S.R.Smith Lift product, as well as, most common lift control systems. LiftOperator is compatible with Linak 2 or 4 button hand held controls.
- b. LiftOperator features a secondary fully functional control touch pad on the faceplate to recall the seat if the hand held control is out of reach or if the hand held control fails.
- c. LiftOperator incorporates an audible alert and an “Emergency Alert” LED which are activated by pressing the “Emergency Stop” button on the controller touchpad or by pressing two (2) buttons simultaneously on the handheld control or on the main control panel.
- d. LiftOperator touchpad has three (3) LED indicators which display “Battery (Energy) Level”.
- e. LiftOperator has a “Service Required” LED which indicates when maintenance is needed - based on lift usage. Lift performance information i.e. up/down, left/right, battery charge cycles and the “Service Required” LED reset are viewed/managed via a USB port on the bottom of the control via a FAT-formatted USB mass storage device. The information from the control can be downloaded to a PC for viewing and record keeping.
- f. LiftOperator can be ordered with an optional activation key system that is used to activate the controller. The key system is designed to prevent unauthorized use and provide operators with a secure method of authorizing use of the lift.
- g. LiftOperator is IP65 rated, constructed of high impact UV resistant plastic. All circuit boards are conformal coated to provide exceptional performance in both outdoor and indoor pool environments.
- h. LiftOperator battery pack is rechargeable via the included transformer and includes a lock plate to prevent theft of the battery pack (padlock not included).

Application:

LiftOperator is the standard controller for all S.R.Smith lifts. The LiftOperator is also backward compatible and may be used with S.R.Smith Lifts as well as many other commonly used lift control systems.

Technical Specifications:

- Dimensions—
 - Control Unit—6.54" L (16.61 cm)/ 4.72"W (11.98 cm)/ 4.35" D (11.04 cm)
 - Battery Pack—9.21" L (23.39 cm)/ 4.72"W (11.98 cm)/ 4.35" D (11.04 cm)
 - Overall—15.75" L (40.00 cm)/ 4.72"W (11.98 cm)/ 4.35" D (11.04 cm)
- Weight—
 - Control Unit—2.1 lbs. (1 kg) with mounting plate.
 - Battery Pack—7.55 lbs. (3.42 kg)
 - Total Weight—9.65 lbs. (4.38 kg)
 - Shipping Weight—10.0 lbs. (4.53 kg)
- Listings—The Control Unit and Battery pack are IP65 rated.
- Mounting Hardware—All mounting hardware: mounting/lock plate, latch assembly, and attachment hardware are stainless steel.
- Housing Materials—The housing is made from UV resistant high impact ABS plastic.
- Electrical Specifications—U Out: 24V = .max 10AT / Op.: Max 10% max 2 min. /18min



S.R. Smith, LLC
 PO. Box 400, 1017 SW Berg Parkway
 Canby, Oregon 97013

P 503.266.2231 TF 800.824.4387 F 503.266.4334
www.srsmith.com www.poollifts.com