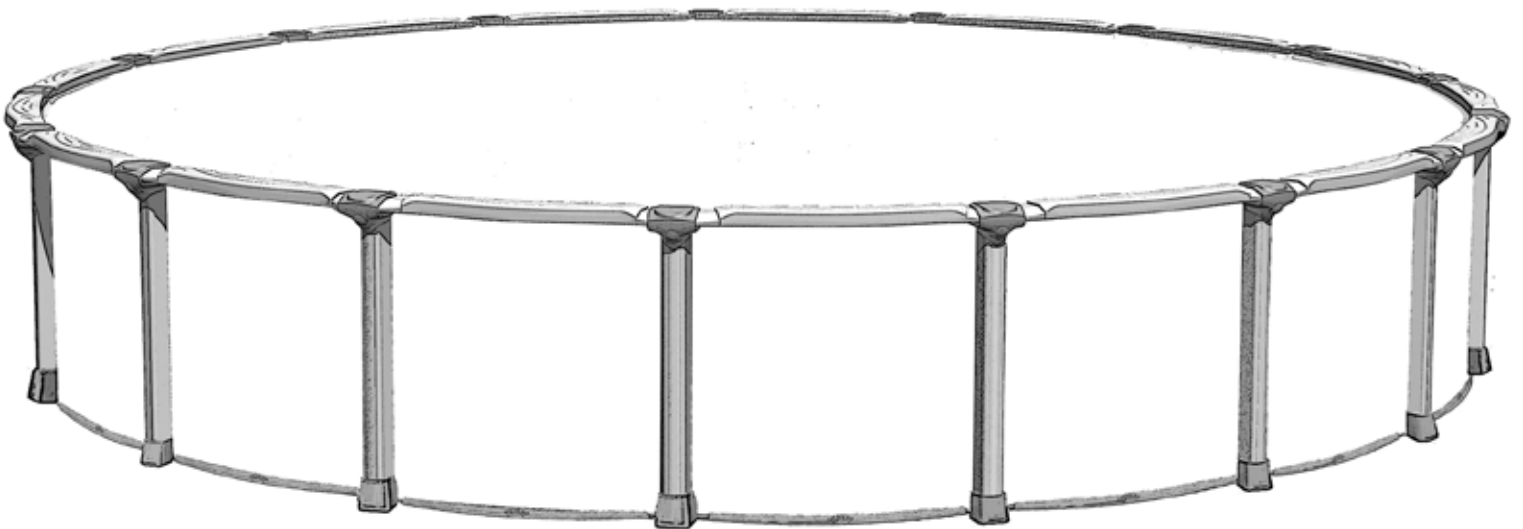
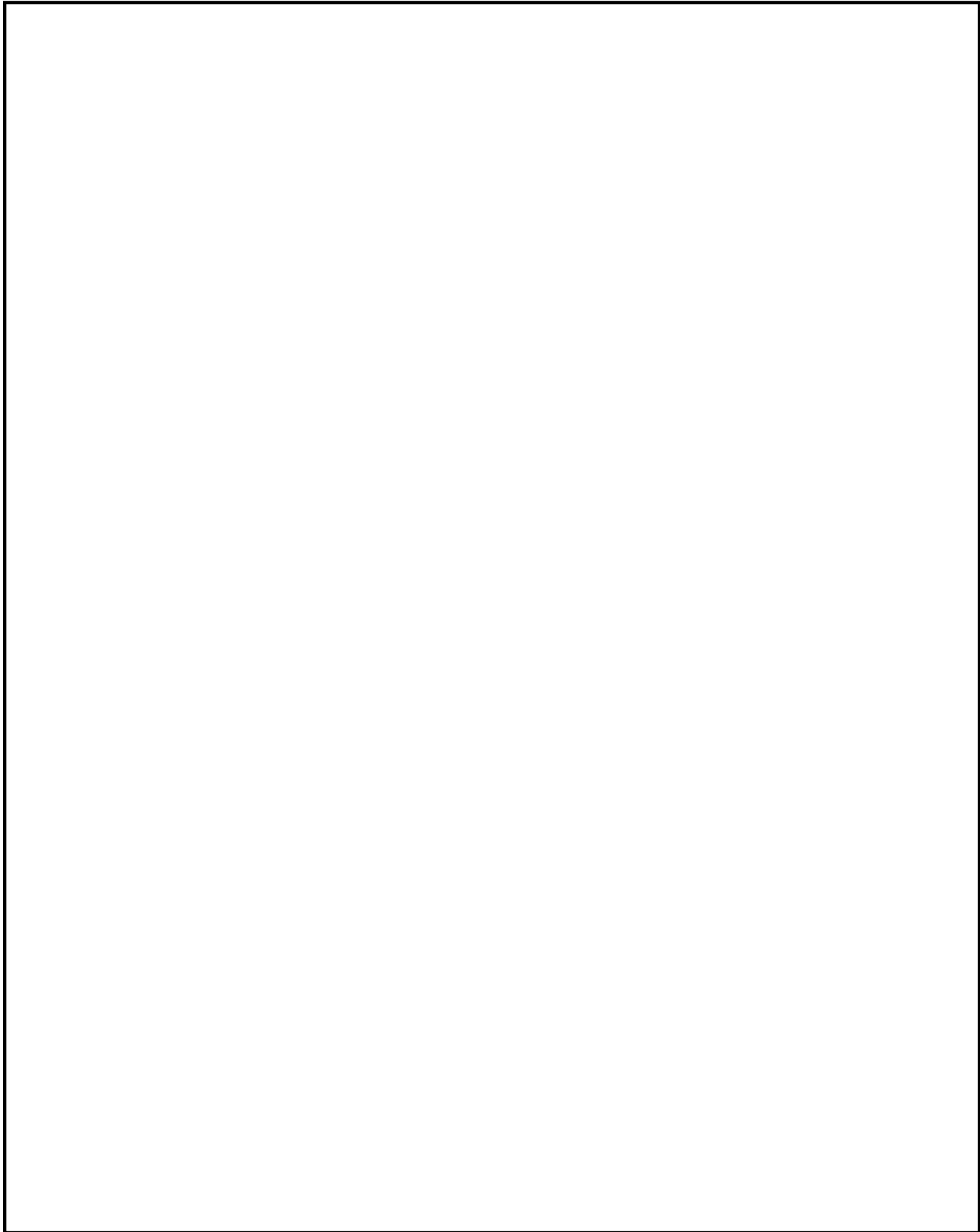


V35041

**MAGNUS RTR POOL MODEL
INSTALLATION MANUAL - ROUND POOLS**





ABOVE GROUND POOL SAFETY

PLEASE READ BEFORE INSTALLATION



WARNING

FAILURE TO HEED THESE WARNINGS CAN RESULT IN PERMANENT INJURY, PARALYSIS FROM A BROKEN NECK, ELECTROCUTION OR DROWNING. THIS POOL IS NOT DESIGNED FOR DIVING OR JUMPING! DANGEROUS INJURY CAN RESULT, SHALLOW WATER!

Your pool contains a large quantity of water, and is deep enough to present inherent dangers to life and health unless the following safety rules are strictly observed. First-time users run the highest risk of injury. Make sure everyone understands. To insure your pool is used safely you **must** observe the following safety precautions:

1. NO JUMPING OR DIVING

The top rail of your pool is not a walkway and must not be used for jumping or diving. Do not permit jumping or diving into the pool from a deck or the top rail of the pool. Diving or jumping into the pool can result in serious injury.

2. NEVER USE THE POOL ALONE

Never permit the pool to be used unless it is attended by at least one person other than the bather. Someone should always be available to lend assistance in an emergency.

3. NEVER LEAVE CHILDREN UNATTENDED

Never leave a child alone and unsupervised in or near the pool—even for a second. There is no substitute for constant adult supervision.

4. NO ROUGH PLAY

Do not permit "rough-play" in and around your pool. Surfaces can become slippery and hazardous when wet.

5. LIGHT THE POOL AT NIGHT

If the pool is used after dusk, adequate lighting must be provided. Illumination in the pool area must be sufficient to clearly judge pool depth and all features in and around the pool. For lighting recommendations, consult your local licensed electrical contractor

6. RESTRICT ACCESS TO THE POOL

Do not leave chairs or other furniture beside the pool that could be used by a child to climb up into the pool. Ladders must be removed whenever the pool is unattended. A fence with a lockable gate around the pool or yard is strongly recommended and may be required by law in some jurisdictions.

7. NO ALCOHOL OR DRUGS

Never drink alcoholic beverages or use any intoxicants which could hinder your judgment and reflexes.

8. KEEP YOUR POOL CLEAN AND SANITARY

Your filter system will remove suspended particles from the water and the surface skimmer will remove insects, leaves and other debris from the water surface. Use the correct pool chemicals as directed to destroy harmful bacteria and prevent formation of algae. Remember, unsanitary water is a serious health hazard.

FOLLOW ALL SAFETY INSTRUCTIONS

Read and follow all safety instructions packaged with pool, ladder, deck or any other accessory. Additional pool safety publications can be obtained by contacting: The Association of Pool & Spa Professionals (www.apsp.org)

9. KEEP OFF TOP LEDGES

Do not walk on top ledges. They can be slippery and they are not a walkway.

10. POOL COVER SAFETY

The cover must have a tamperproof locking retainer cable that positions the cover around the pool wall and keeps it securely in place. Never allow anyone, especially small children on the cover. Asphyxiation or drowning could result. When purchasing any pool cover, please consult a swimming pool professional.

11. ELECTRICAL HAZARD

Never touch or attempt to service electrical equipment, including the filter when your body and/or the ground is wet. Electrocution or permanent injury due to high voltage (120V AC) could result. The pool should be bonded in accordance with Section 680-26 of the National Electrical Code. For further assistance contact your dealer or a local licensed electrician. Do not use pool during electrical or rain storms.

12. SAFETY ROPE & POLE

Keep a safety rope 1/4" by 50" with a flotation buoy with an outside diameter of 15". Have accessible in a prominent area by your pool. Keep a pole not less than 16 feet (4.88m) long with a blunt or hook end available at pool side in case of emergencies.

13. POOL CHEMICALS

Do not place chlorine, chlorine tablets or sticks directly into skimmer, or winterize your pool with liquid chlorine. Damage to the skimmer, pool liner and filter will result. Failure to obey this instruction will void all component warranties. Always follow Chemical Manufacturer's instructions when storing, handling and dispensing pool chemicals.

14. CHECK FOR DAMAGE

Periodically check your pool and ladder components for damage and wear. Be sure all screws are in place. Replace all damaged or worn components and tighten all screws before you use the pool, deck or ladders. At first sign remove rust and touch up immediately.

15. POOL PARTS

Never modify the pool or accessories, or remove or drill holes in the pool, deck or ladder components unless instructed. Your pool wall is made of thin metal, there is an inherent cut hazard with metal so use gloves during installation. Always use Original Equipment Manufactured parts for your replacement parts.



**REMEMBER
WATCH
CHILDREN**



IMPORTANT NOTICE READ BEFORE INSTALLATION!

The safety stickers must be installed as per following instructions. Failure to properly install warning labels will void warranty. Failure to mount these safety labels may subject you to substantial liability in case of injury. These warning are not to be removed under any circumstances! If they become discolored or fall off please request replacements which will be sent at no charge.



PLACE SIGN ON
LINER ABOVE WATER
LINE, OPPOSITE EN-
TRY TO POOL



PLACE SIGN ON
WALL NEXT TO
POOL ENTRY

Section 1

GENERAL INSTRUCTIONS - ROUND POOLS GROUND PREPARATION

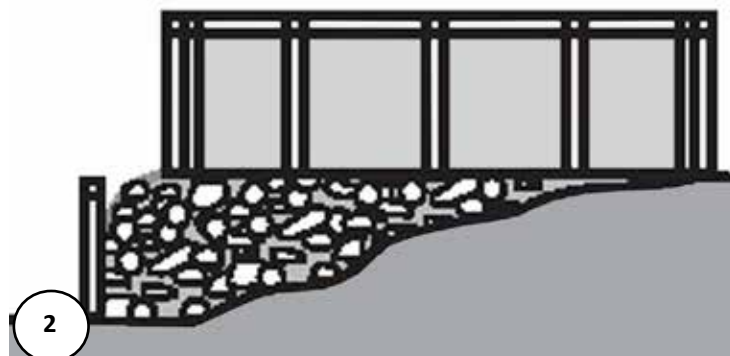
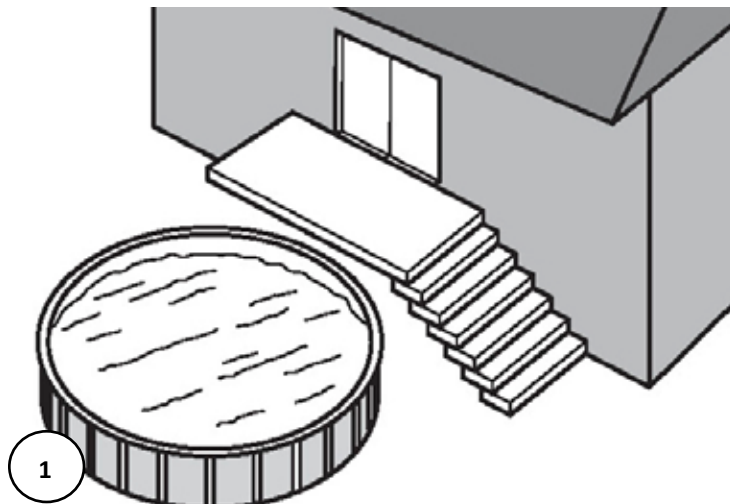
Read all instructions completely before you begin.

A. DETERMINE THE LOCATION OF YOUR POOL

1. The Terrain

Pay special attention to choosing the right location for your pool:

- Choose a large area, as flat and level as possible and well drained. **(Image 1)**
- Choose a spot on dry, firm earth (stabilizer or other)—do not install the pool on asphalt, tar or oil based surfaces, gravel, peat moss, wood or chemically treated soil.
- Check with your pool dealer to see if Nut Grass grows in your area. This type of grass may grow up through your pool liner. Your dealer will be able to advise how best to treat the site.
- Sloped areas will need to be made level by digging away high spots, not by filling low spots—be prepared to hire earth-moving equipment if necessary. **(Images 2 & 3)**
- Ensure the earth is well compacted and a wall is placed to prevent the earth from seeping out. **(Image 2)**
- If you need to install partly in the ground, you must contact your dealer to see if this is an option for you and that you meet law requirements in your jurisdiction. **(Image 4)**



Important Note:

Ground preparation is one of the most important steps in the installation process. A proper foundation will ensure the rest of the pool assembly goes smoothly and that no problems will occur when the pool is filled with water.

Section 1

GENERAL INSTRUCTIONS - ROUND POOLS GROUND PREPARATION

A. CONT. DETERMINE THE LOCATION OF YOUR POOL

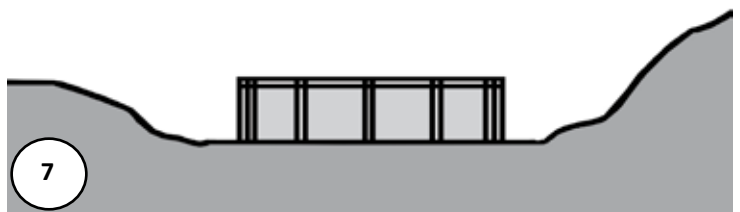
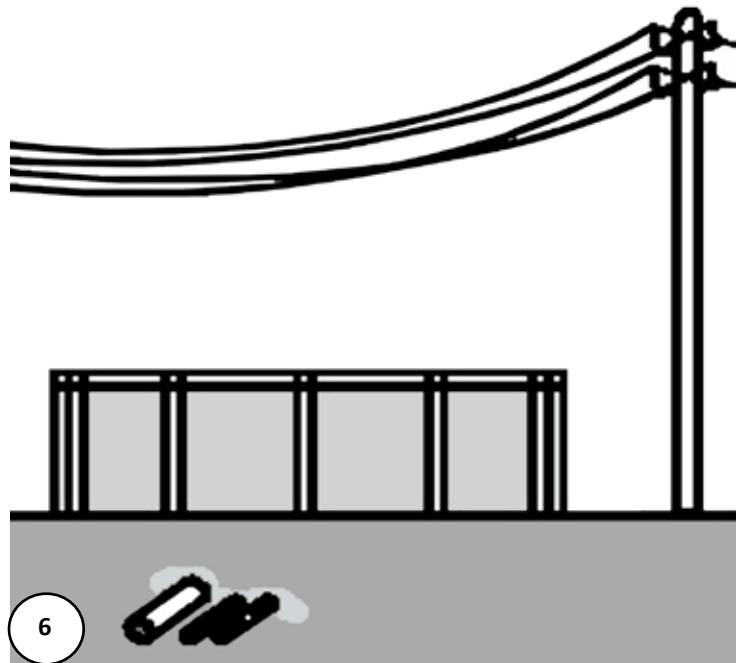
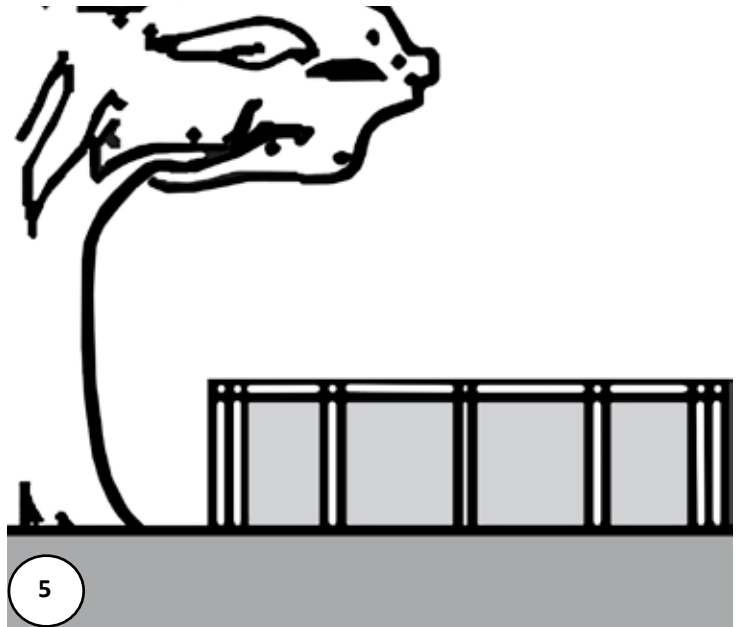
2. Things to Avoid

Do not locate your pool near or on any of the following (*Images 5-7*):

- Overhanging tree branches.
- Overhead wires and clotheslines.
- Buried pipes and wires. Contact your gas, electric and telephone utilities to find buried pipes and wires before you dig.
- Areas with poor drainage.
- Grass, stones and roots. Grass will rot underneath the pool liner, and stones and roots will damage the pool liner.
- Areas recently treated with oil-based weed killers, chemicals or fertilizers.

3. Plan Ahead

- Will you be adding an adjacent deck later? Be sure to leave room.
- Will you be using pool accessories or other appliances that need electricity or gas? Locate your pool near these services or plan to have them installed later by a licensed contractor.



Important Note:

When locating the centre of the pool, be sure to take into consideration any structures (deck, patio, house) or relevant items (change rooms, gazebo, etc.) that the pool may need to line up with and ensure that the pool is in the most visual pleasing location for your property.

Section 1

GENERAL INSTRUCTIONS - ROUND POOLS GROUND PREPARATION

A. CONT. DETERMINE THE LOCATION OF YOUR POOL

4. Tools Needed



Compactor



Hammer



Water hose



Level



File



Vacuum cleaner



Pliers



Rake



Lawn roller



Metal snips



Screwdriver



Wheelbarrow



Shovel



Spray paint



Mallet



Measuring tape



Duct tape



Trowel



Wrench

List of required materials

- Straight wood plank
- Material that provides a permanent base (ex. Crushed stone)
- Fine sand (void of debris)
- Cement blocks (5cm x 20cm x 40cm / 2"x 8"x16") (optional)
- 2x Plywood (60cm x 120cm / 2ft x 4ft)
- Wood board (30cm x 20cm / 1ft x 1ft)
- Vinyl covered hooks (to hold wall steady)
- String and stakes & wooden pegs
- Prefabricated cove sections (optional)
- Pool carpeting (optional)
- Rope
- Polyethylene Plastic Sheeting



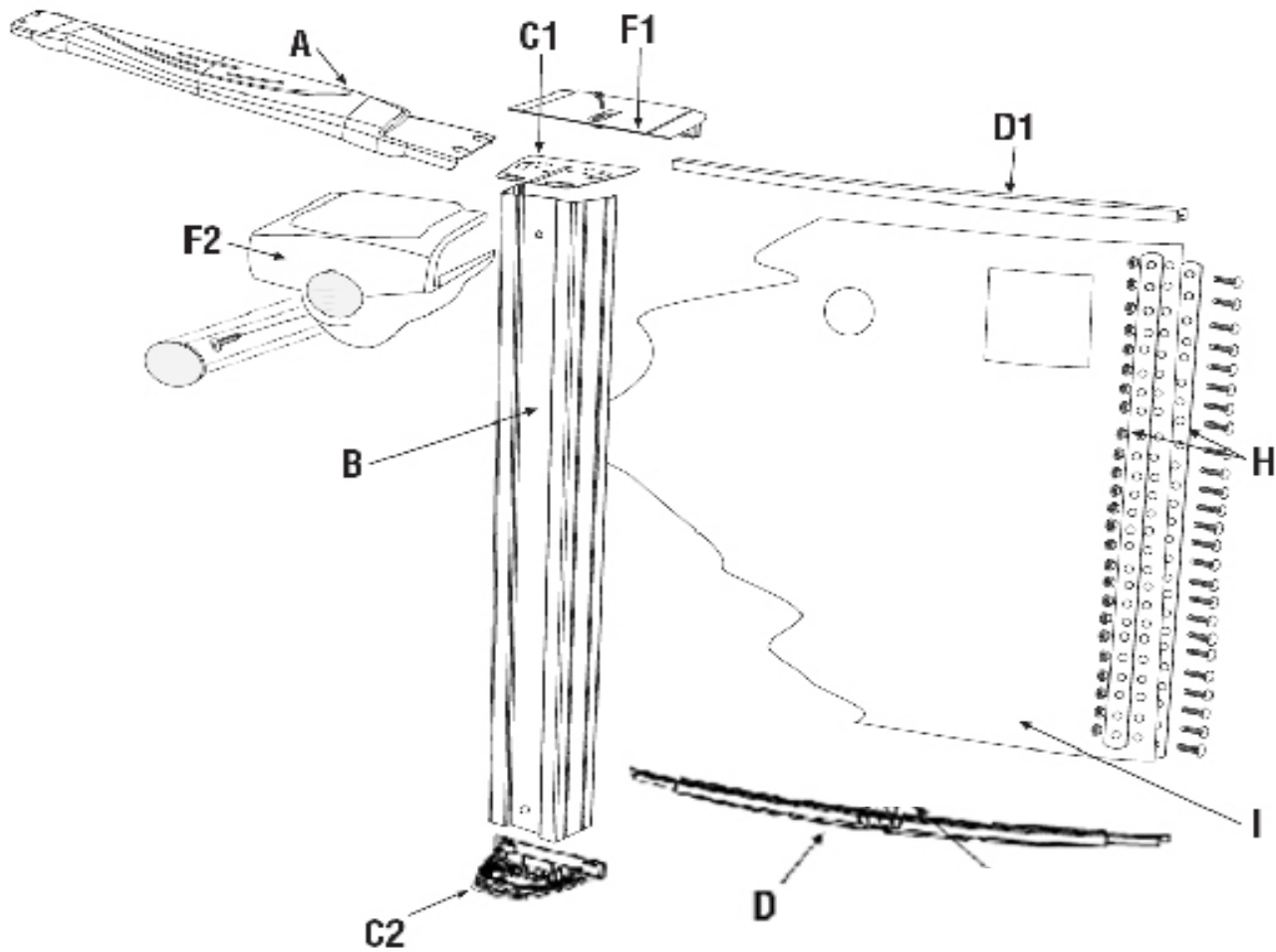
- Optical Level
Can be useful for precise measurements

Section
1

GENERAL INSTRUCTIONS - ROUND POOLS
GROUND PREPARATION

PARTS LISTING - EXPLODED VIEW

Magnus RTR
PMAG-54RSRSRSB10
Round



**Section
1**

**GENERAL INSTRUCTIONS - ROUND POOLS
GROUND PREPARATION**

PARTS LISTING - CONTENT

Product Description :				Magnus Round							Revised Sept 2013
Product Code :				PMAG-54RSRSRSB10							
				Quantity required for installation (by pool size)							
Index#	Description	Parts #	Length	12	15	18	21	24	27	30	
A	Top ledge	AR744-001-R		8	10	12	14	16	18	20	
B	Upright	ART811-R12954M	53,750"	8	10	12	14	16	18	20	
C1	Top plate	21120A		8	10	12	14	16	18	20	
C2	Bottom plate	CG21120B		8	10	12	14	16	18	20	
D1	Stabilizer 12D	1255612	55,750"	8							
D1	Stabilizer 15D	1255615	55,875"		10						
D1	Stabilizer 18D	1255618	55,875"			12					
D1	Stabilizer 21D	1255621	55,750"				14				
D1	Stabilizer 24D	1255624	56,125"					16			
D1	Stabilizer 27D	1255627	55,688"						18		
D1	Stabilizer 30D	1255630	56,000"							20	
D2	Bottom rail	1525515	55,250"	8	10	12					
D2	Bottom rail	1525524	55,250"				14	16	18		
D2	Bottom rail	1525530	55,250"							20	
F1/F2	Ledge cover	AR211-23120ABC		8	10	12	14	16	18	20	
H	Steel bars	11825	54,000"	2	2	2	2	2	2	2	
I	Wall			1	1	1	1	1	1	1	
	Hardware bag for pool	SACV12X34-102	#12 screw 3/4	1	1						
	Hardware bag for pool	SACV12X34-124	#12 screw 3/4			1					
	Hardware bag for pool	SACV12X34-147	#12 screw 3/4				1				
	Hardware bag for pool	SACV12X34-164	#12 screw 3/4					1			
	Hardware bag for pool	SACV12X34-184	#12 screw 3/4						1		
	Hardware bag for pool	SACV12X34-204	#12 screw 3/4							1	
	Hardware for wall	1050000054		1	1	1	1	1	1	1	
	Instruction DVD	SACWBI36876		1	1	1	1	1	1	1	
	Addendum	B40010FA		1	1	1	1	1	1	1	

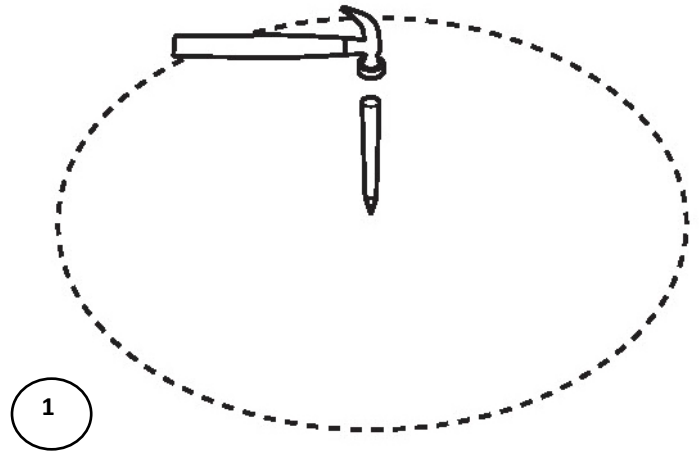
Section 1

GENERAL INSTRUCTIONS - ROUND POOLS GROUND PREPARATION

B. PREPARE THE FOUNDATION OF YOUR POOL

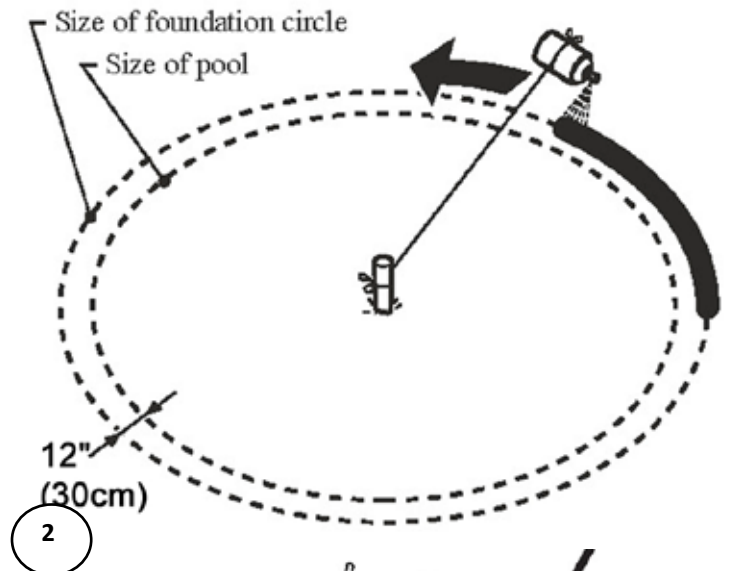
1. Mark out the Area

- Drive a peg into the ground at the centre of the area where you want your pool. *(Image 1)*
- Use a length of string tied between the peg and a can of spray paint, and mark a circle on the ground (a tape measure can also be used). The circle will be 12" (30 cm) bigger all round than the pool. *(Image 2)*

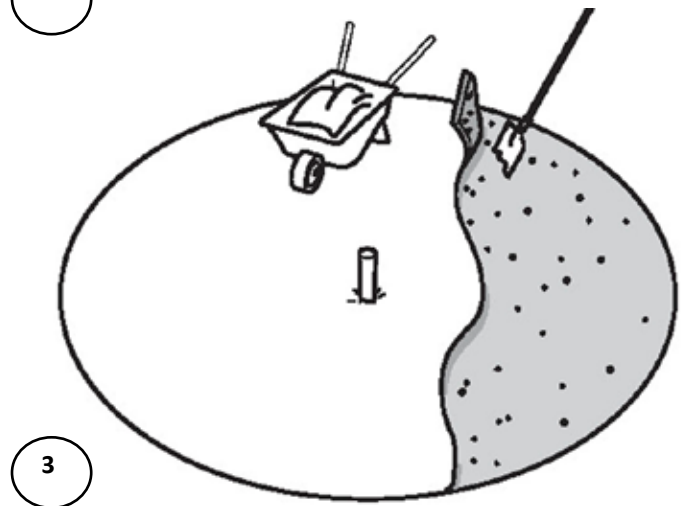


2. Remove the sod

- Remove all sod and plants from the circle. *(Image 3)*
- Remove any sticks, stones and roots from the circle using a rake.
- To make sure your pool is stable, compact the ground well, use the compactor, before adding the sand.



Important Note:
Your pool must be perfectly level. Take the time you need to be sure your foundation is perfectly level.



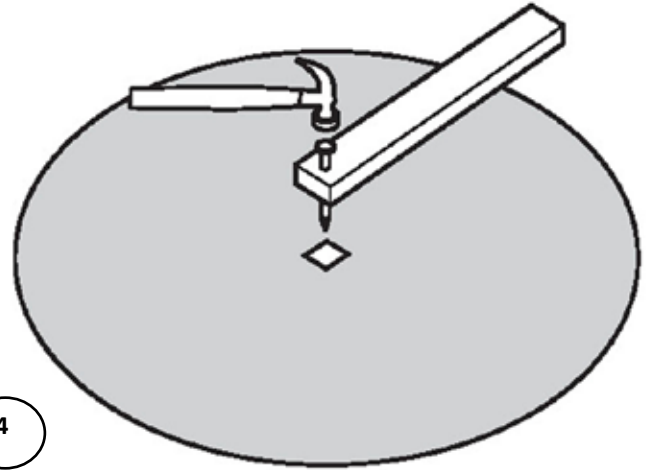
Section 1

GENERAL INSTRUCTIONS - ROUND POOLS GROUND PREPARATION

B. CONT. PREPARE THE FOUNDATION OF YOUR POOL

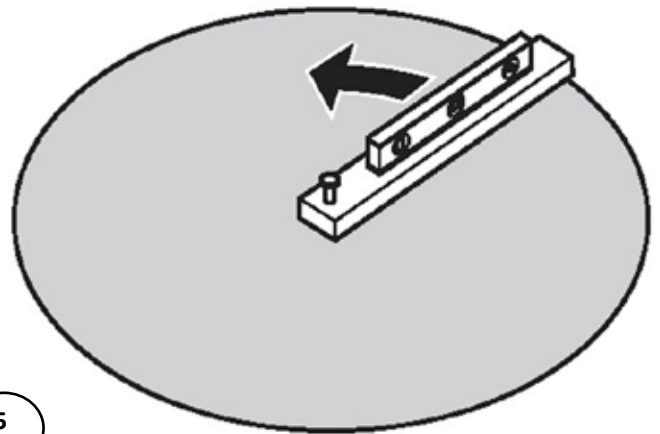
3. Make the are flat and level

a. Replace the centre peg with a flat-topped stake, at least 1" (25 mm) square and 6" (15 cm) long. Drive it down flush with the ground surface.

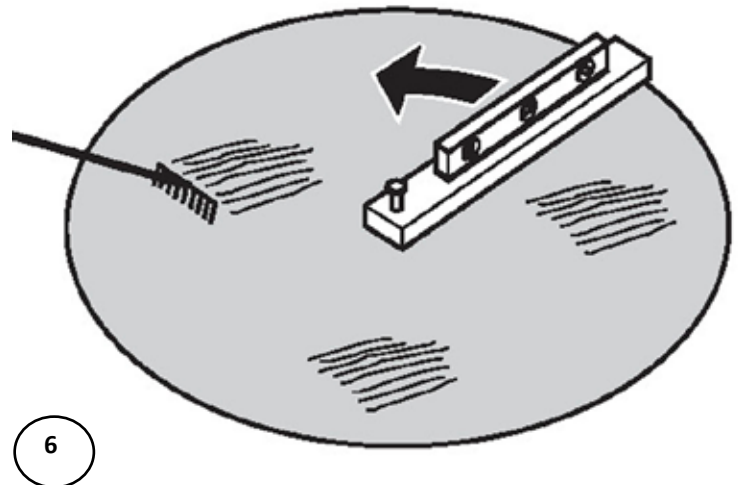


b. Nail one end of a straight 2-by-4 (5cm x 10cm) wood plank to the top of the stake. Use a nail long enough to hold the end of the 2-by-4 (5cm x 10cm) wood plank to the stake while you rotate it in a circle. *(Image 4)*

c. Put a carpenter's level on the wood plank and swing the board in a circle to find the high and low spots. *(Image 5)*



d. Remove all the high spots with a shovel, hoe or rake. *(Image 6)*



Important Note:

Use the optical level to ensure that the ground is perfectly flat and level.

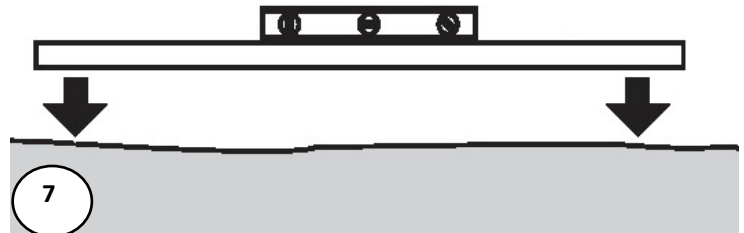
Section 1

GENERAL INSTRUCTIONS - ROUND POOLS GROUND PREPARATION

B. CONT. PREPARE THE FOUNDATION OF YOUR POOL

- e. Be prepared to hire earth moving equipment if you need to level a large area. Remember, your pool must be level across the diameter of the pool.

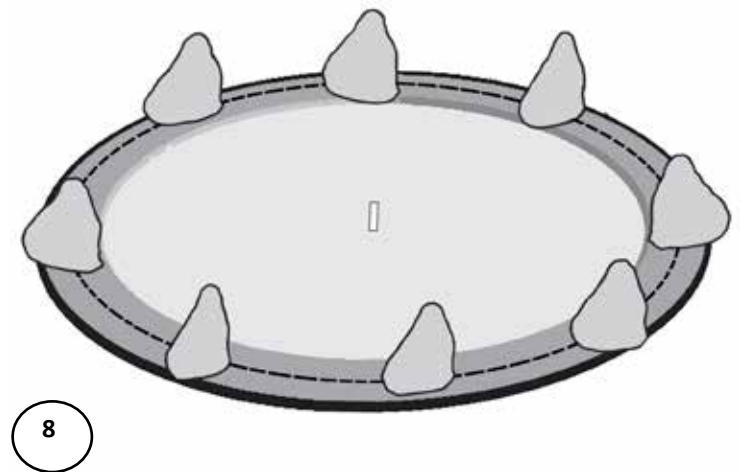
(Image 7)



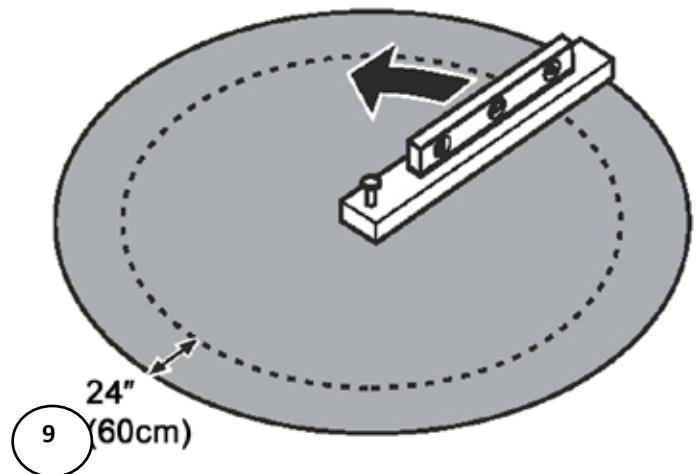
- f. Small dips and hollows may be filled in, but the soil must be hard-packed and well compacted with a tamping tool.

- g. Take material such as rock dust or fine mortar that can conform a solid, permanent base and deposit this material around the rim of the basin. The material used should be spread around the perimeter of the pool to a width of 24" (60cm) and a thickness of 2" (5cm). (Image 8)

Note: Bottom rails will be placed in the center of the perimeter of the pool see the dashed line. (Image 8)



- h. Recheck the outer perimeter of the circle, where the pool wall will be. Compact the ground and make sure there are no high or low spots. The bottom edge of the pool wall must rest flat on the ground and have no gaps under it. (Image 9)



! Important Note:

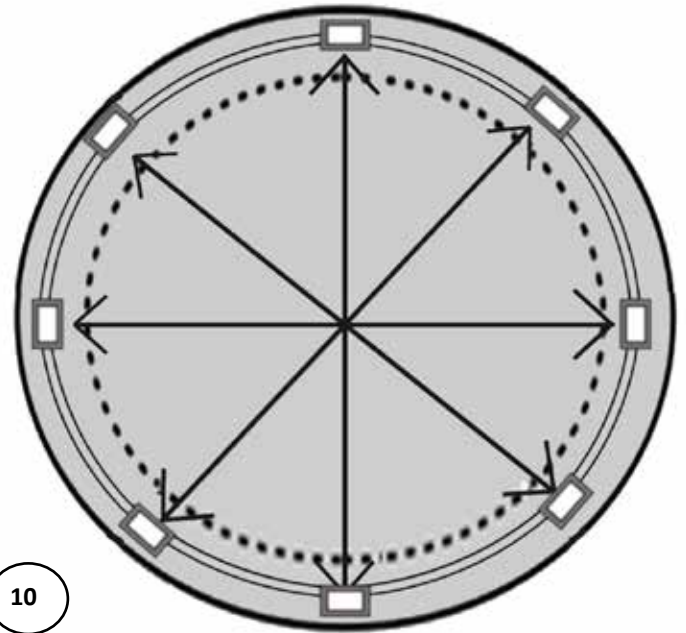
The outer 24" (60cm) of the circle must be perfectly flat. The bottom edge of the pool must rest flat on the ground and have no gaps under it. Take the time you need to be sure this area is perfectly flat and level.

Section 1

GENERAL INSTRUCTIONS - ROUND POOLS GROUND PREPARATION

B. CONT. PREPARE THE FOUNDATION OF YOUR POOL

- i. Go over the entire perimeter of the pool to ensure that at every 3" the surface is completely level.
- j. Lay out the bottom rails and bottom plates around the circle.
- k. Check the roundness of your circle, by measuring the diameter across in several locations. Since the bottom rails do not automatically form a true circle, **DO NOT SKIP THIS STEP!** Otherwise you might end up with a slightly oval shape, which can cause problems later on. *(Image 10)*
- l. Verify the height of each bottom plate with an optical level. They have to be at the same height. Adjust height if necessary.



10



11

Section 1

GENERAL INSTRUCTIONS - ROUND POOLS GROUND PREPARATION

B. CONT. PREPARE THE FOUNDATION OF YOUR POOL

4. Patio Stones (Optional)

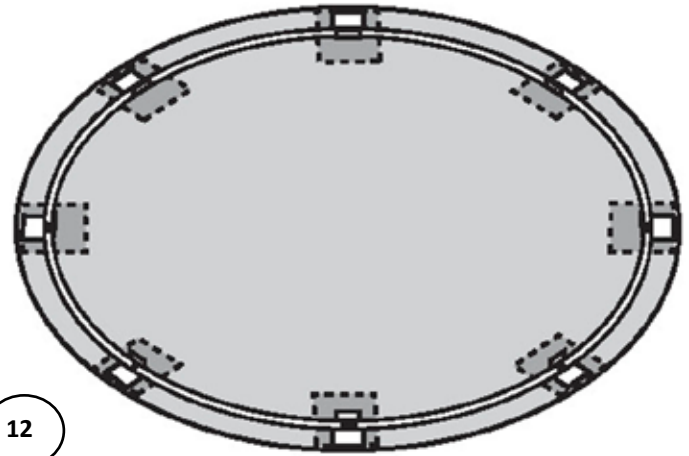
Please contact your dealer for more information about using patio stones.

- Concrete patio stones may be placed at the base of each upright of your pool.
- Each bottom plate will show the location for a patio stone. Make a mark in the ground at each base plate. (Image 12)
- Remove the bottom rails and bottom plates and lay out the patio stones around the circle where the bottom plates were.
- The patio stones **must** be sunk into the ground so the tops are flush with the soil around them. Use the carpenter's level to make sure the patio stones are perfectly level and flush with the ground. Use either the carpenter's level and a 2-by-4 (5cm x 10cm) wood plank, or the optical level between patio stones to make sure the stones are level with each other.
- Do not install blocks or rails on loose sifted soil or sand. There must be no space between the ground and the bottom of the rails. All patio blocks **must be flush with the ground**, solid and level with each other in all directions.

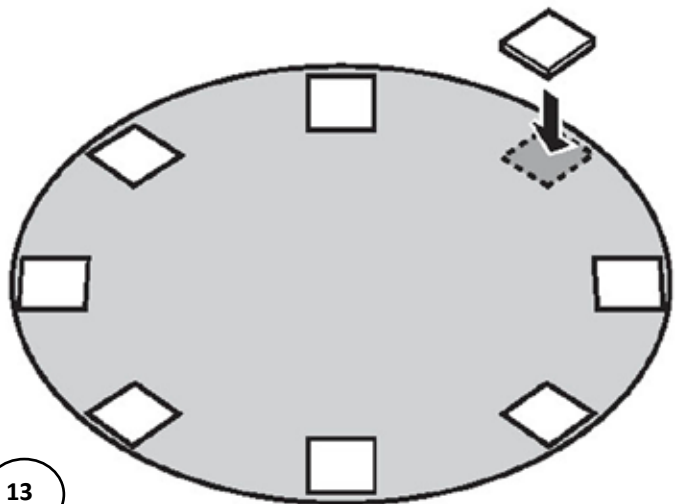
NOTE: Installing patio blocks is optional and the blocks may shift due to temperature changes.

Important Note:
Make sure the patio stones are perfectly level and flush with the ground. All patio blocks must be flush with the ground, solid and level with each other in all directions.

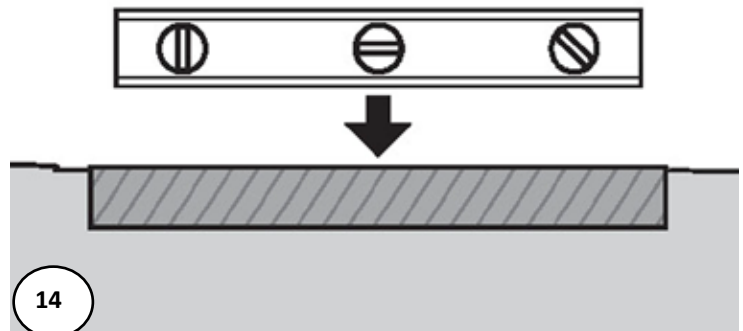
5. Proceed to Section 2 - Assembling the Pool Base



12



13

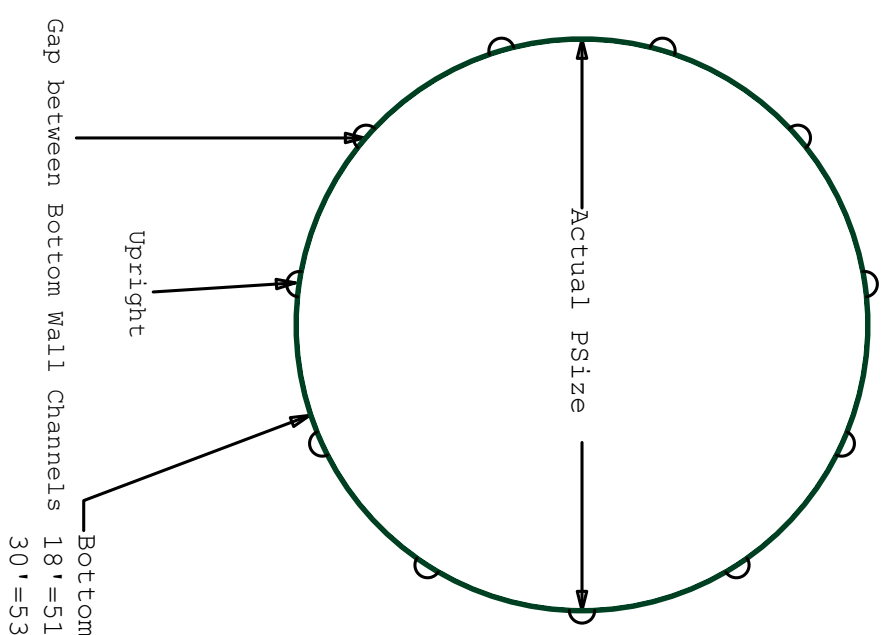


14

Section
1

**GENERAL INSTRUCTIONS - ROUND POOLS
GROUND PREPARATION**

ROUND FOOTPRINT - For - PZEN-52/54 SSPSPSB10/11/19



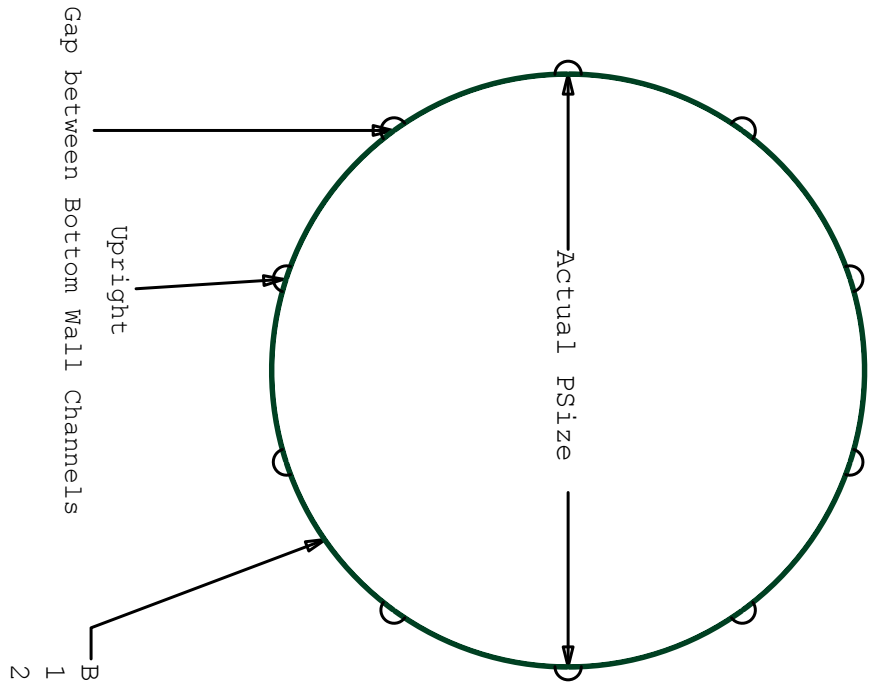
- Notes:
1. All dimensions are in inches unless otherwise specified.
 2. All dimensions are referenced from the wall location.
 3. Manufacturers tolerances and field condition may result in dimensional variations.

ZENITH ROUND STEEL POOL CHART										
Pool Name	8'	12'	15'	18'	21'	24'	27'	30'	33'	
Uprights	10	9	11	13	15	17	19	21	23	
Radius of Rails	4'	6'	7.5'	9'	10.5'	12'	13.5'	15'	15'	
Gap between Rails	3/16"	11/16"	3/8"	1/2"	9/16"	9/16"	9/16"	1/2"	3/4"	
Wall Perimeter	302	454	565	679	792	905	1018	1131	1244	
Wall Length	303	455	566	680	793	906	1019	1132	1245	

Section 1

GENERAL INSTRUCTIONS - ROUND POOLS GROUND PREPARATION

ROUND FOOTPRINT - For - PZEN-52/54RSPSPSB10



- Notes:
1. All dimensions are in inches unless otherwise specified.
 2. All dimensions are referenced from the wall location.
 3. Manufacturers tolerances and field condition may result in dimensional variations.

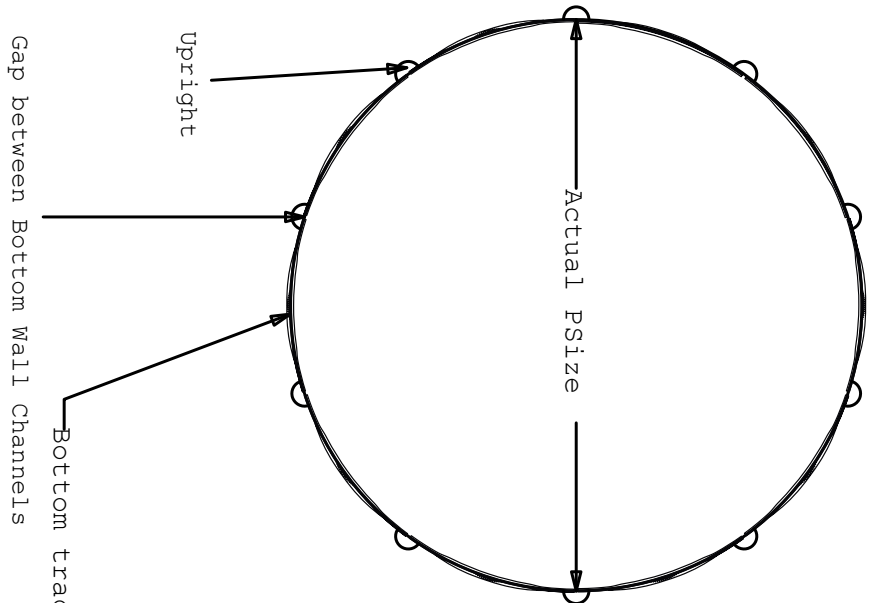
Bottom tracks length: 12' = 55.75", 15' = 55.875",
 18' = 55.875", 21' = 55.75", 24' = 56.125",
 27' = 55.688", 30' = 56"

SIMBIO ROUND STEEL POOL CHART									
Pool Name	12'	15'	18'	21'	24'	27'	30'	33'	
Uprights	8	10	12	14	16	18	20	22	
Radius of Rails	6'	7.5'	9'	10.5'	12'	13.5'	15'	15'	
Gap between Rails	Simbio 1"	5/8"	11/16"	13/16"	7/16"	7/8"	9/16"	9/16"	
Wall Perimeter	Simbio 454	565	679	792	905	1018	1131	1244	
Wall Length	Simbio 455	566	680	793	906	1019	1132	1245	

Section 1

GENERAL INSTRUCTIONS - ROUND POOLS GROUND PREPARATION

ROUND FOOTPRINT - For - PZEN-52RSRARSB11

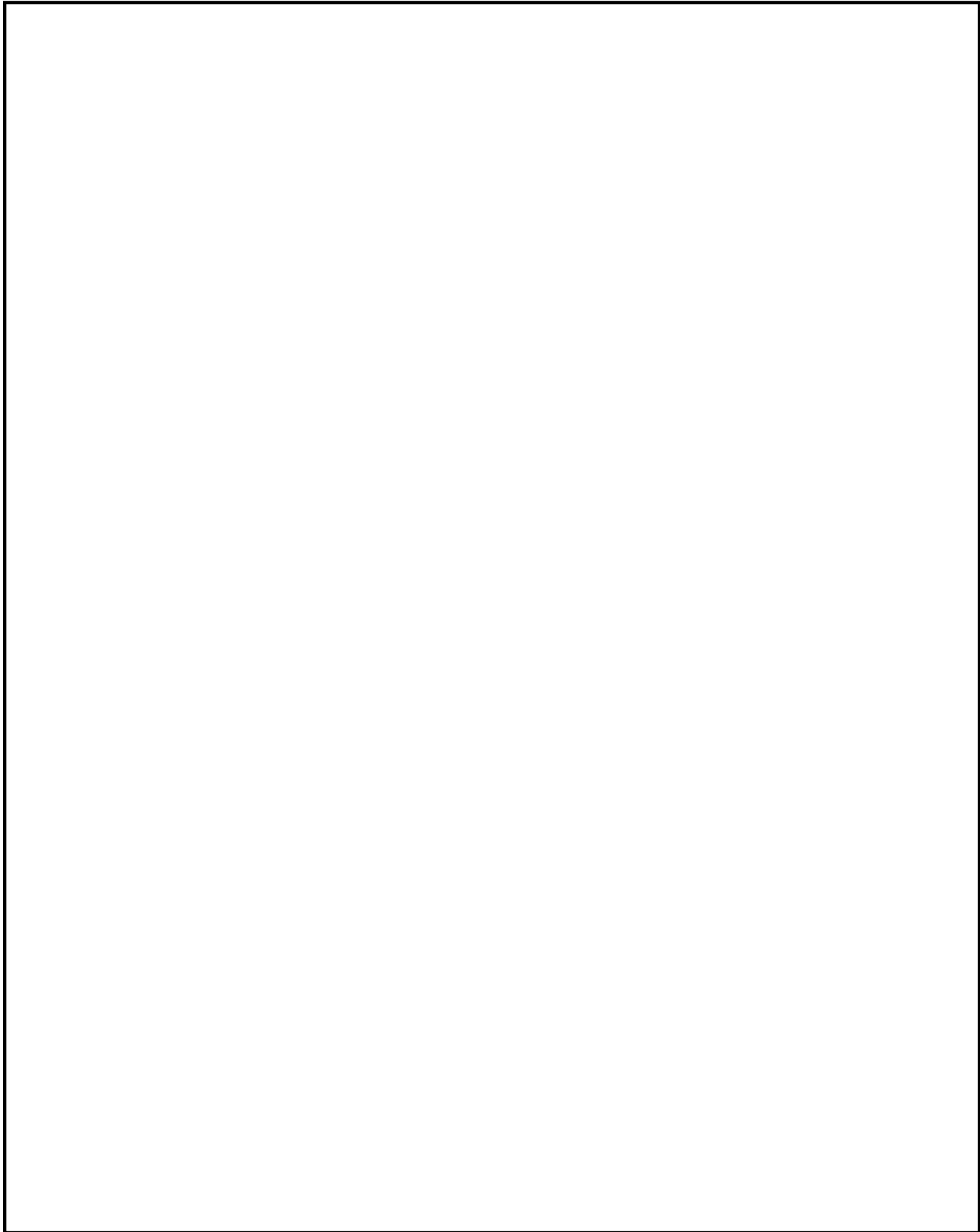


- Notes:
1. All dimensions are in inches unless otherwise specified.
 2. All dimensions are referenced from the wall location.
 3. Manufacturers tolerances and field condition may result in dimensional variations.

Gap between Bottom Wall Channels

Bottom tracks length: 15' = 55.187", 24' = 55.312", 30' = 55.25"

Pool Name	12'	15'	18'	21'	24'	27'	30'	33'
Uprights	8	10	12	14	16	18	20	22
Radius of Rails	7.5'	7.5'	12'	12'	12'	12'	15'	15'
Gap between Rails	1-9/16"	1-5/16"	1-1/4"	1-1/4"	1-1/4"	1-1/4"	1-5/16"	1-5/16"
Wall Perimeter	454	565	679	792	905	1018	1131	1244
Wall Length	455	566	680	793	906	1019	1132	1245
Gap between Rails Exceptions	1-5/8" Impact Atrium Discov							
Wall Perimeter Exceptions	568							
Wall Length Exceptions	569							



Section 2

GENERAL INSTRUCTIONS - ROUND POOLS ASSEMBLING THE POOL BASE

A. LAY OUT THE BOTTOM PLATES AND BOTTOM RAILS

1. Lay out bottom plates

- Place the bottom plates equally spaced around the perimeter of your foundation. If you are using the optional patio stones, depending on your model place one bottom plate on each stone. *(Image 1)*

2. Assemble bottom plates and bottom rails

NOTE: Depending on your pool model you may have steel or resin bottom plates.

- Insert the end of each bottom rail into a bottom plate. Leave a gap between the ends of the bottom rails.

Steel: *Image 2*

Resin: *Image 3*

See Diagram:

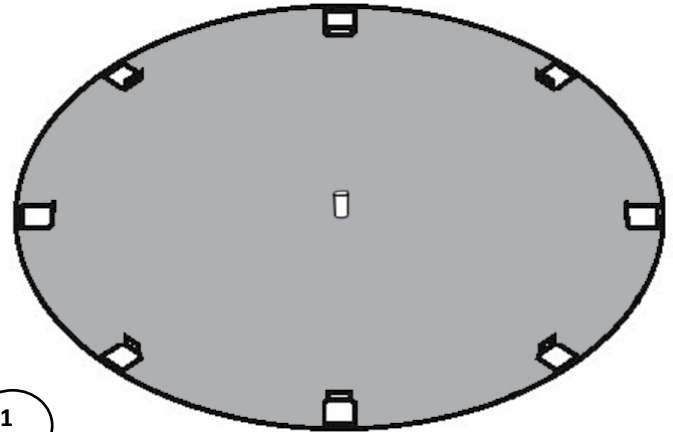
Please refer to your pool's footprint (Section 1, last page) for gap measurement,

- Measure the diameter of your pool all around the circle and make sure it is correct. Note: this measurement should be taken from centre to centre of the bottom plate. When the circumference is perfectly round, hammer nails into the ground to keep the bottom rails into place.

These nails are to be removed only at the last step when filling up the pool.

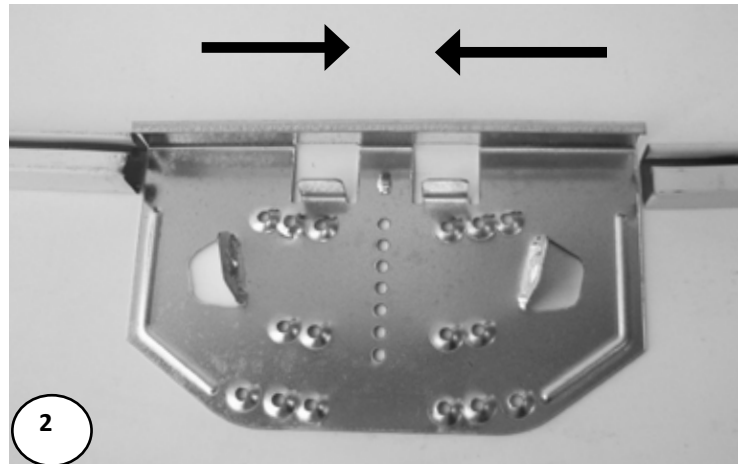
Important Note:

Use a soft measuring tape to measure around the perimeter of the pool. Measure from the inside of the bottom rail, the measurement should equal the wall length.



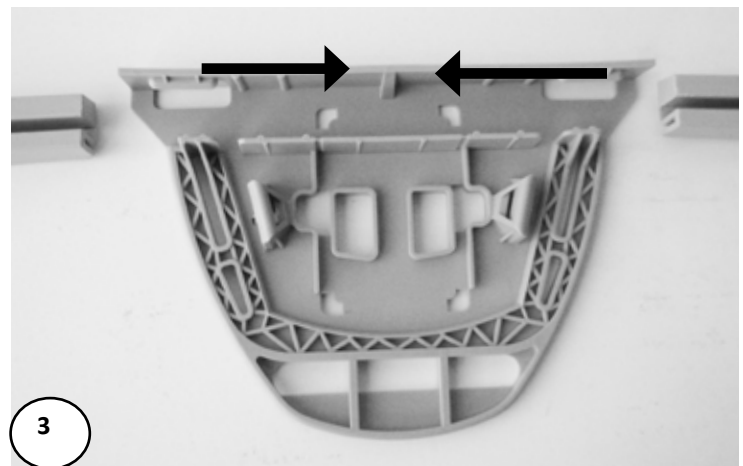
1

STEEL

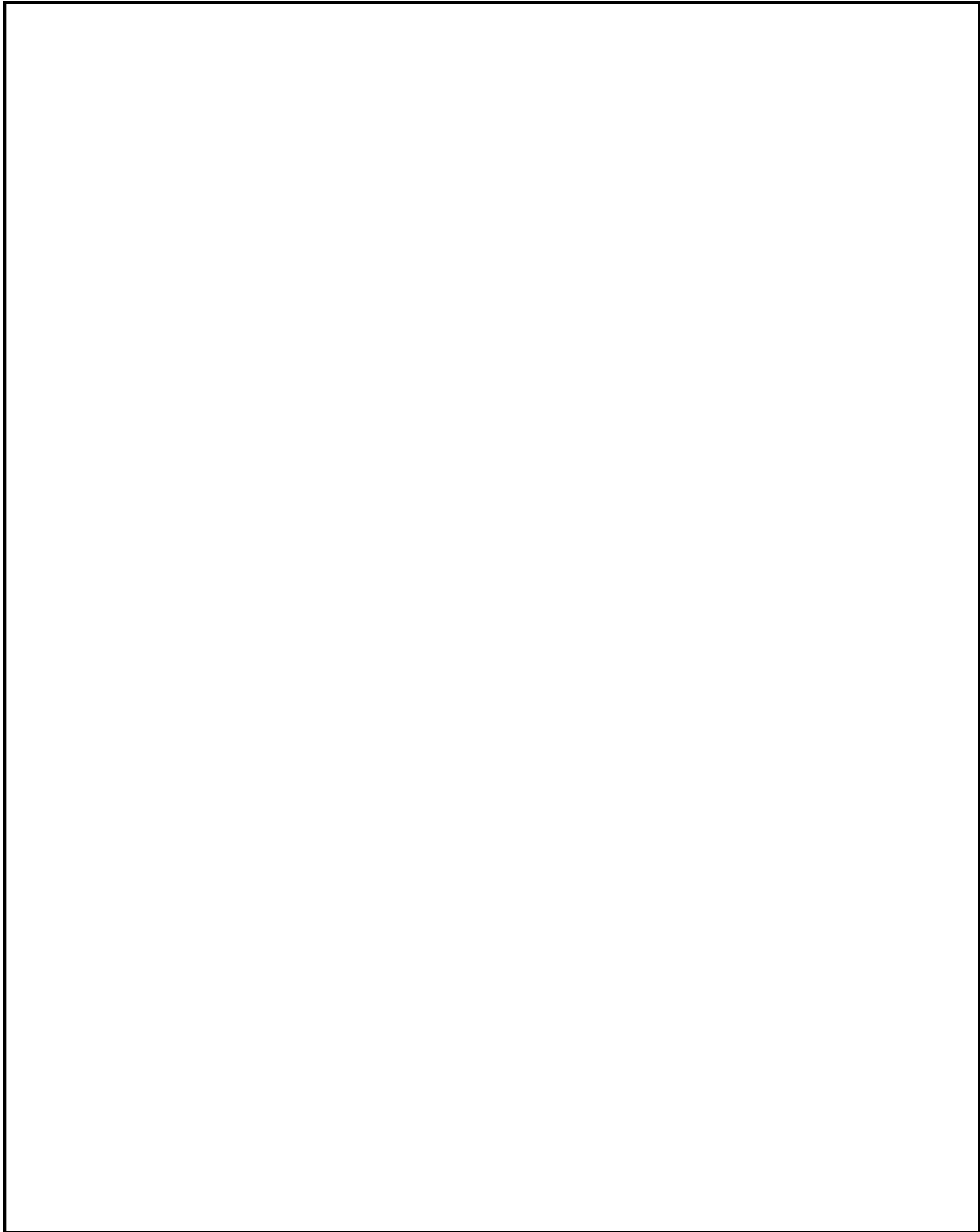


2

RESIN



3



Section 3

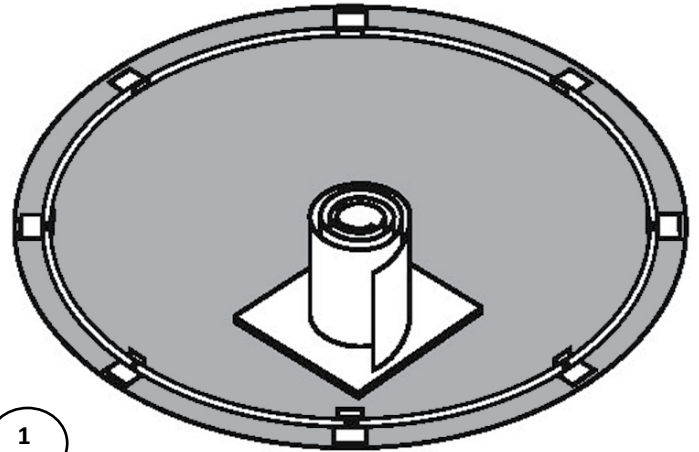
GENERAL INSTRUCTIONS - ROUND POOLS ASSEMBLING THE POOL WALL

A. SETTING UP THE POOL WALL

Do not attempt to install the pool wall in the wind, wait for a calm day.
It takes at least 3 people to install the pool wall.

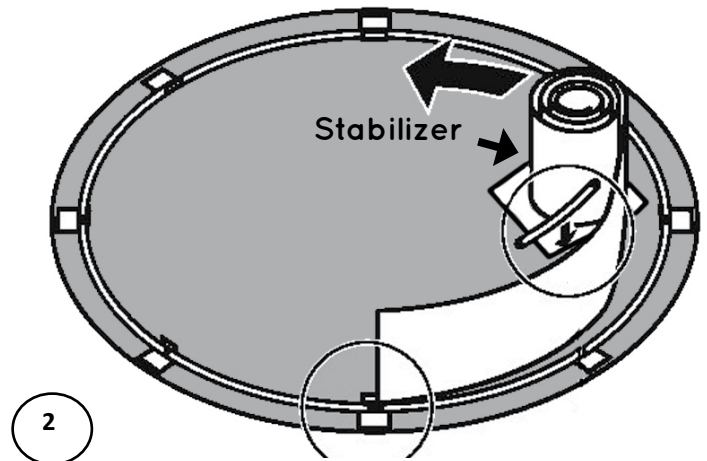
1. Preparing for the wall installation

- Bring the following items into the middle of the pool foundation before you start uncoiling the pool wall: plywood, some extra sand or fine dirt to make the cove and a ladder to climb out after the wall is assembled.
- Make sure the skimmer and water return holes are located where you need them to be. The skimmer and water return holes are positioned towards the end of the wall, **(the section before where the wall started)**.



2. Set the pool wall in place

- Unpackage the coiled pool wall and stand it on the plywood at the place close to where you need to install the skimmer. **(Image 1)**
(Remember the skimmer and water return holes will be placed at the section just before where you started the wall installation).
- Start uncoiling the wall, guiding the bottom edge into the curved bottom rail. The starting end of the wall must be positioned in the centre of a bottom plate, and the skimmer and return holes should be positioned where the pump and filter will be. **(Image 2)**
- Set lengths of stabilizer onto the top edge of the wall as you uncoil it. **(Image 2)**



Important Note:

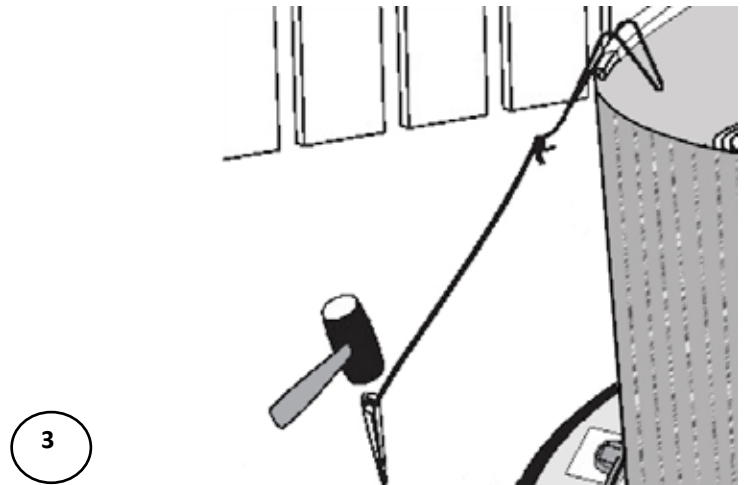
It is preferable to use very fine sand that is easily compacted. Be careful not to spill sand on the bottom rails.

Section 3

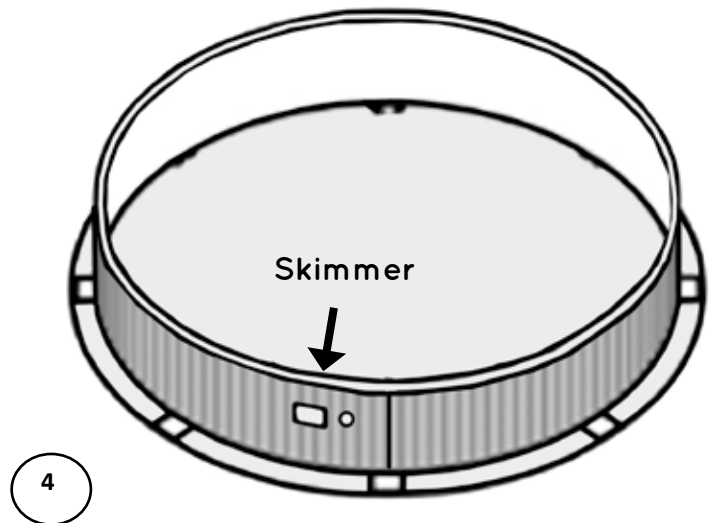
GENERAL INSTRUCTIONS - ROUND POOLS ASSEMBLING THE POOL WALL

A. SETTING UP THE POOL WALL

- c. We also suggest installing vinyl-covered hooks and rope to hold the wall steady. Ideally the help of several people should be solicited to hold the wall in place. Work around the foundation until the entire pool wall is uncoiled into the bottom rails. *(Image 3)*



- d. When uncoiling the wall, the skimmer and return holes are positioned toward the end of the wall. *(Image 4)*



Important Note:

Do not attempt to install the pool wall in the wind. Wait for a calm day.

Section 3

GENERAL INSTRUCTIONS - ROUND POOLS ASSEMBLING THE POOL WALL

A. CONT. SETTING UP THE POOL WALL

3. Join the ends of the pool wall

a. Line up the holes in the two ends of the pool wall.
(Image 5)

b. Now that you have installed the wall you can be faced with three scenarios.

1) The wall joints align perfectly, if so, move on to the next step (c).

2) Your wall appears to be too short. **It is not.** However the space between the bottom rails must be decreased by lightly tapping the bottom plates towards the inside of the pool. You can also tap the wall lightly with both hands in the desired direction.
(Image 6)

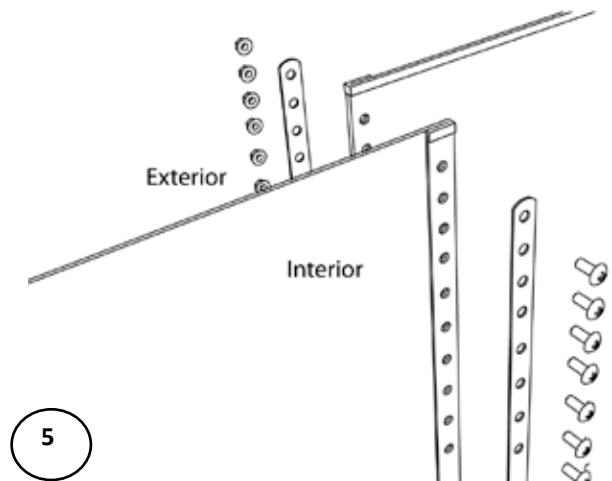
You **MUST** recheck the gaps at each and every one of the bottom rails so that they are all equal in gap size.

3) Your wall appears too long. **It is not.** However the space between the bottom rails must be increased by tapping the bottom plates lightly towards the outside of the pool or by tapping the wall with both hands in the desired direction.
(Image 7)

You **MUST** recheck the gaps at each and every one of the bottom rails so that they are all equal in gap size.

Important Note:
Bottom rails must always be held in place in the bottom plate.

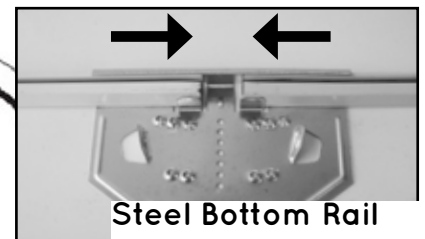
Important Note:
You **MUST** recheck the gaps at each and every one of the bottom rails so that they are all equal in gap size.



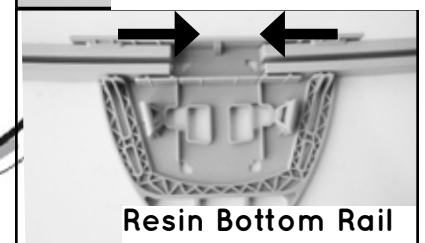
5



6



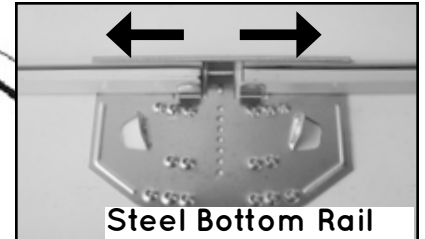
Steel Bottom Rail



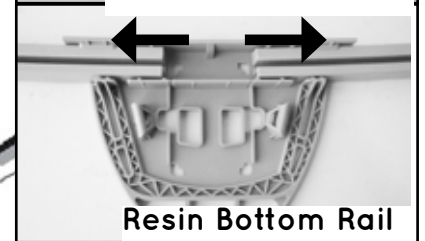
Resin Bottom Rail



7



Steel Bottom Rail



Resin Bottom Rail

Section 3

GENERAL INSTRUCTIONS - ROUND POOLS ASSEMBLING THE POOL WALL

A. CONT. SETTING UP THE POOL WALL

- c. To fasten the wall joint, overlap the two steel bars, one on the inside and the other on the outside. Tighten the mechanical screws on the inside and the nuts on the outside. Ensure that all bolts and all the holes are used. *(Image 8)*

⚠ Important Note:
Stick a screwdriver through two of the holes to help line up the ends of the wall.

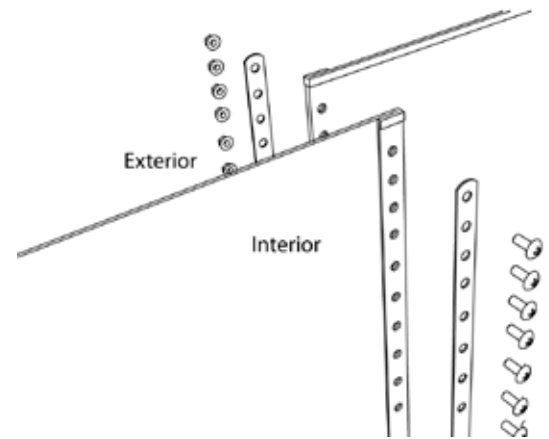
When tightening the screws start from either the top and go down or vice versa. Do not start a few screws from top and a few from the bottom to meet in the middle, this can cause problems later on.

- d. Adjusting the pool to the proper shape may cause the bottom rails and bottom plates to slip out of alignment a little. Recheck all of the bottom plates to make sure each one is centred where the bottom rails meet.
- e. Cover the seam and bolt heads on the inside/interior of the pool wall completely with 2" (50mm) duct tape. *(Image 9)*

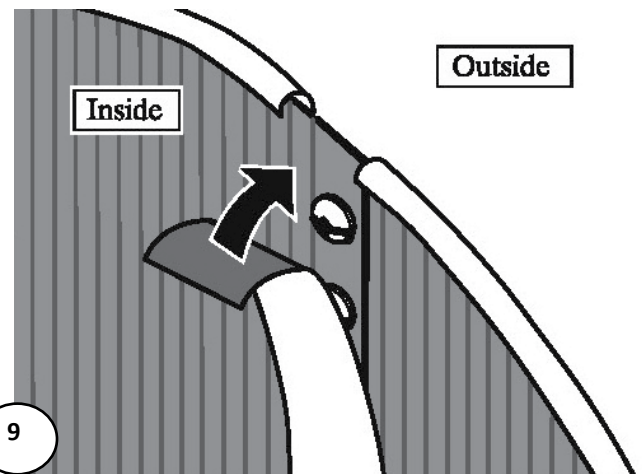
4. Make sure the pool wall is round

- a. Using a tape measure, measure across the circle at each bottom plate. The pool wall must be round. Adjust the circle by nudging the base plates in or out with your foot. *(Image 10)*

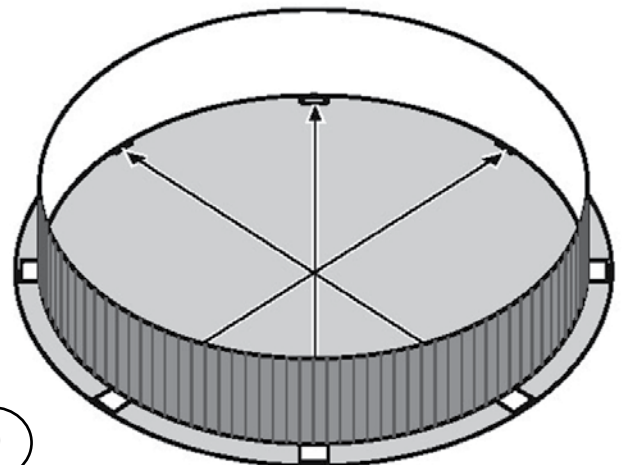
⚠ Important Note:
The pool must be level across the perimeter. A pool that is not level is dangerous and may collapse.



8



9



10

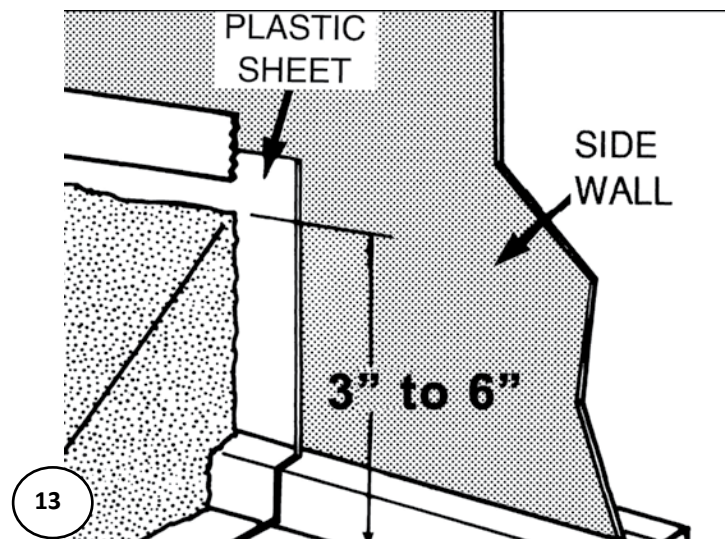
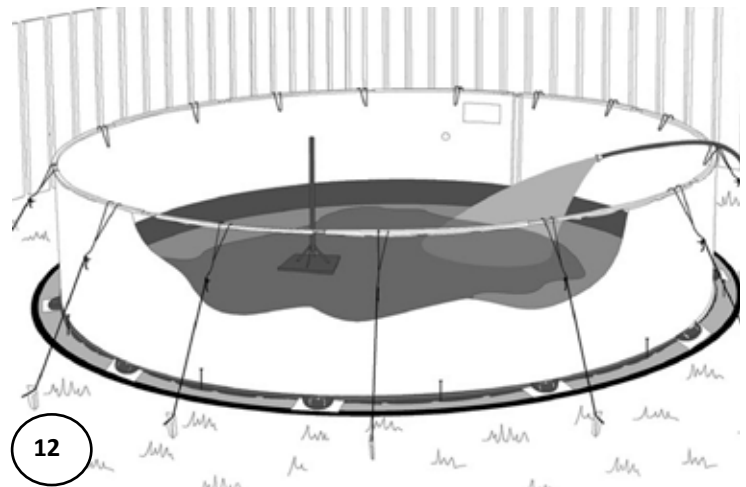
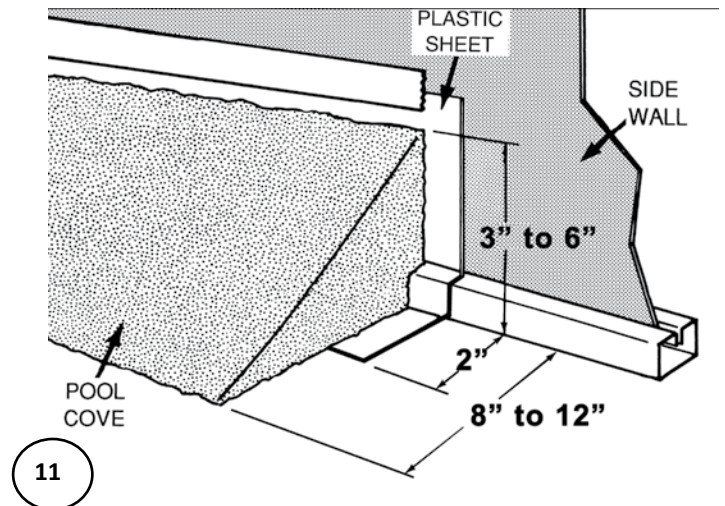
Section 3

GENERAL INSTRUCTIONS - ROUND POOLS ASSEMBLING THE POOL WALL

B. ASSEMBLING THE COVE

1. Make the cove

- If you are using sand, bank the sand against the wall to form a cove of 3" to 6" (7.5cm to 15cm) high and 8" to 12" (20cm to 30cm) wide at ground level. This will prevent the liner from creeping under the wall, and it will also protect the liner from any metal edges of the pool framework. **THIS STEP IS NOT OPTIONAL, IT MUST BE DONE.** (Image 11)
- Water the sand to compact it and use a trowel to spread it evenly. (Image 12)
- Since earth containing chemicals can cause discoloration or corrosion, it is suggested that you place **polyethylene plastic sheeting** under the cove around the perimeter of the wall, so no earth comes in contact with the metal. Since the presence of such chemicals is beyond the control of the manufacturer, such damage is not covered under warranty. (Image 13)
- If you are using styrofoam cove pieces instead of sand, insert them in the bottom rail and refer to the installation instructions that are provided with them.



Important Note:

The cove is an important part of the pool structure. Take your time to make a complete, full-size cove.

Section 3

GENERAL INSTRUCTIONS - ROUND POOLS ASSEMBLING THE POOL WALL

B. CONT. ASSEMBLING THE COVE

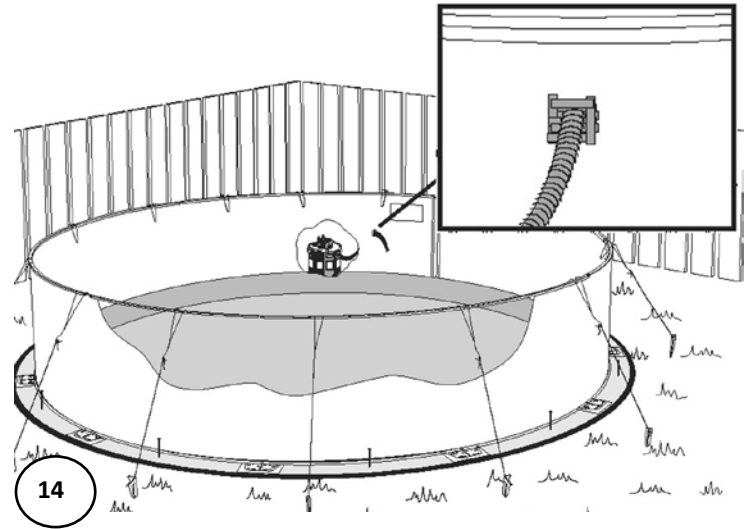
- e. A vacuum cleaner can later be used to remove the air from between the liner and the wall. This technique enables you to remove folds in the liner. However the following precautions should be taken:

Do not use an industrial vacuum cleaner which could be too powerful.

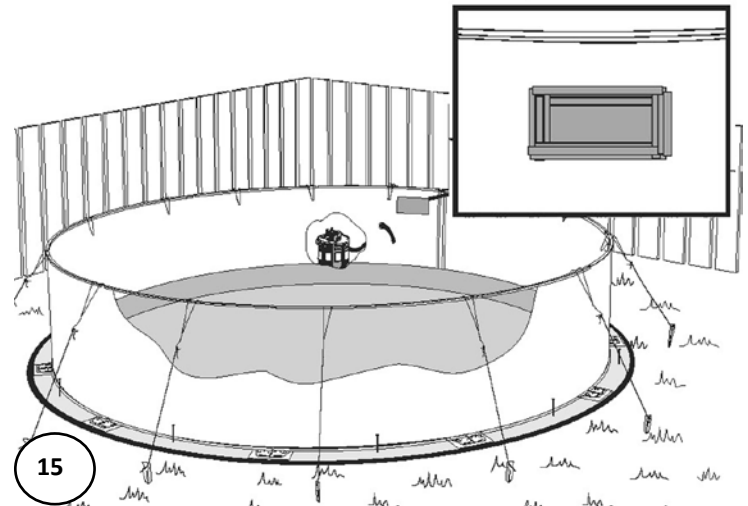
Tape the end of the vacuum hose before inserting it into the wall so as not to damage the liner.

Insert the nozzle until it is about 4" (10cm) above the cove (insert through the water return outlet or the skimmer depending on the diameter of your hose). Make sure you will be able to remove the hose later on.

Tape the hose to the wall. **(Image 14)**



- f. Close the skimmer opening with cardboard and adhesive tape so that the suction of air works better.. **(Image 15)**



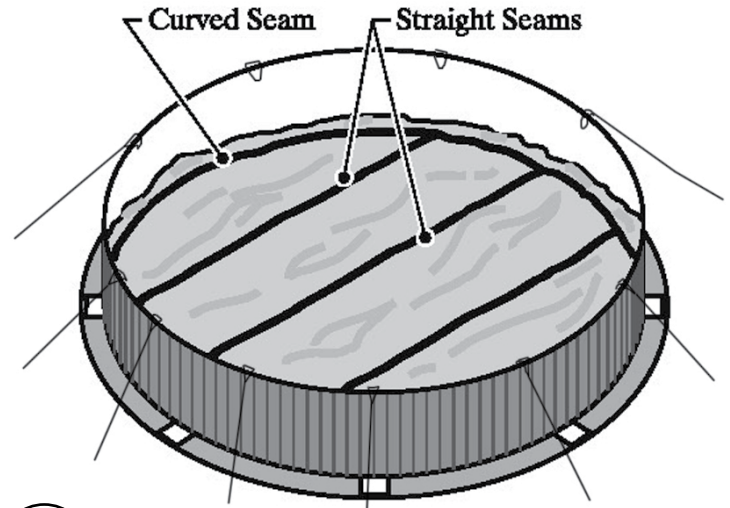
Section 3

GENERAL INSTRUCTIONS - ROUND POOLS ASSEMBLING THE POOL WALL

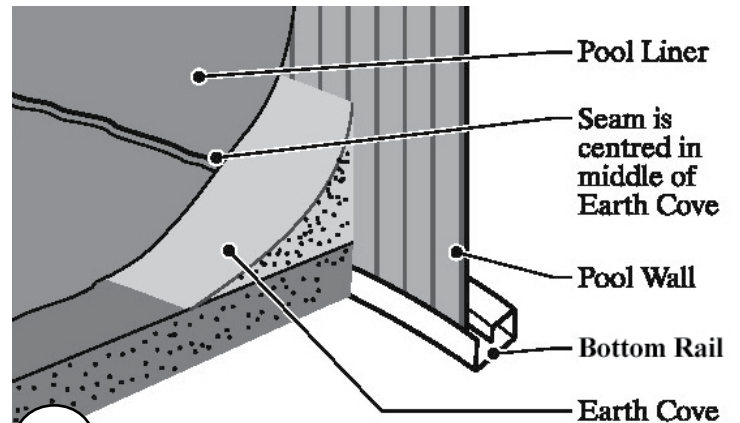
C. INSTALL THE POOL LINER

1. Set the liner in place

- Open the carton. Do not use anything sharp to open the carton.
- Unpack and unfold the liner and spread it out in the sun to warm it up. Inspect all the seams and surfaces for holes.
- Remove your shoes to avoid damaging the base or tearing the liner.
- Spread out the liner, smooth side down. The curved seam should be centred on the cove at the base of the wall. The other seams will form straight lines across the bottom of the pool. *(Images 16 & 17)*
- Smooth out all the wrinkles in the bottom.



16



17

Important Note:

If possible, unfold the liner on the grass one to two hours before installation. Be careful not to leave the liner too long or you may damage the grass.

Important Note:

The liner is generally smaller than the support structure of the pool. It will stretch more easily when warm. It is important that the liner is installed on a warm sunny day.

Section 3

GENERAL INSTRUCTIONS - ROUND POOLS ASSEMBLING THE POOL WALL

C. CONT. INSTALL THE POOL LINER

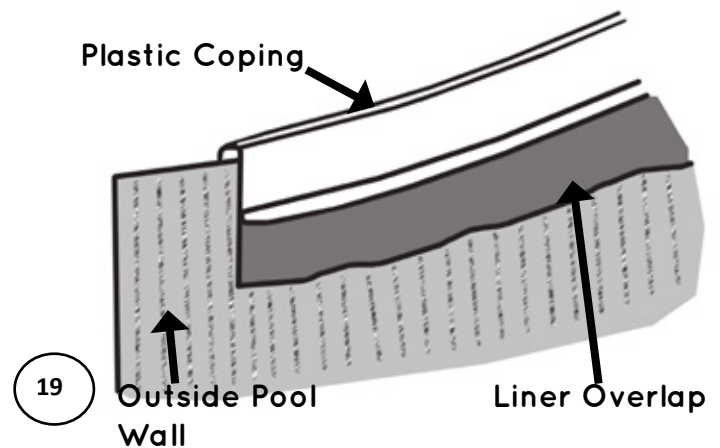
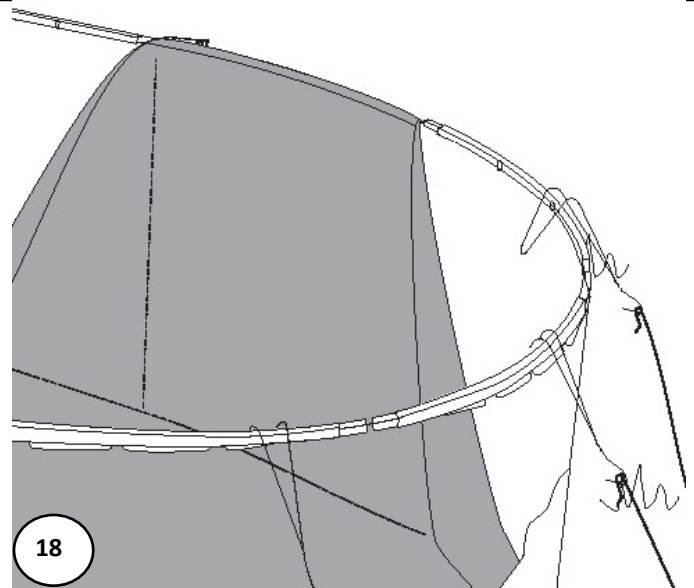
Please ensure to follow instructions that match the type of liner you may have.

2. Fasten the liner in place (OVERLAP ONLY)

- Starting at the liner wall seam, hang the liner over the wall making sure that the seam is straight up and down, perpendicular to the floor. (Remove stabilizers gradually as you fold the liner over the top of the wall.) This will assure you that the liner begins going over the wall straight. **(Image 18)**
- As you put the liner over the wall you can secure it by using the plastic coping strips to keep it in place. If you end up with excess material, continue around the pool, pulling excess liner evenly, and distribute over the wall until the excess is gone. **(Image 19)**
- Fasten the liner to the top of the wall with plastic coping. Let the liner hang slack for now. Do not pull the liner tight. **(Image 19)**

NOTE: Some liners may fit very tightly, it is better to install uprights, top plate and rail before going onto next step. See Section 4.

- Turn the vacuum cleaner on and push the liner outward with your feet to iron out any wrinkles. Once finished, turn off vacuum cleaner.
- Start filling the pool with water. As the pool fills, work out all the wrinkles and smooth the liner to the wall. Remove the plastic coping around the top edge of the wall one piece at a time and adjust the liner. Keep smoothing out the wrinkles.



Important Note:

Do not trim off the excess liner. (If the liner ever needs to be removed, trimming the liner will make re-installation very difficult). Instead, roll up any excess liner and tape it in place near the top of the pool wall.

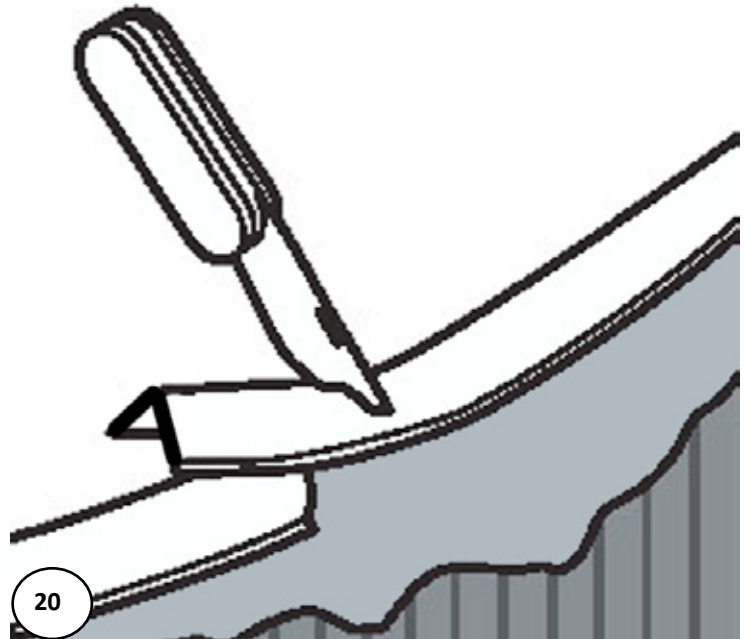
Section 3

GENERAL INSTRUCTIONS - ROUND POOLS ASSEMBLING THE POOL WALL

C. CONT. INSTALL THE POOL LINER

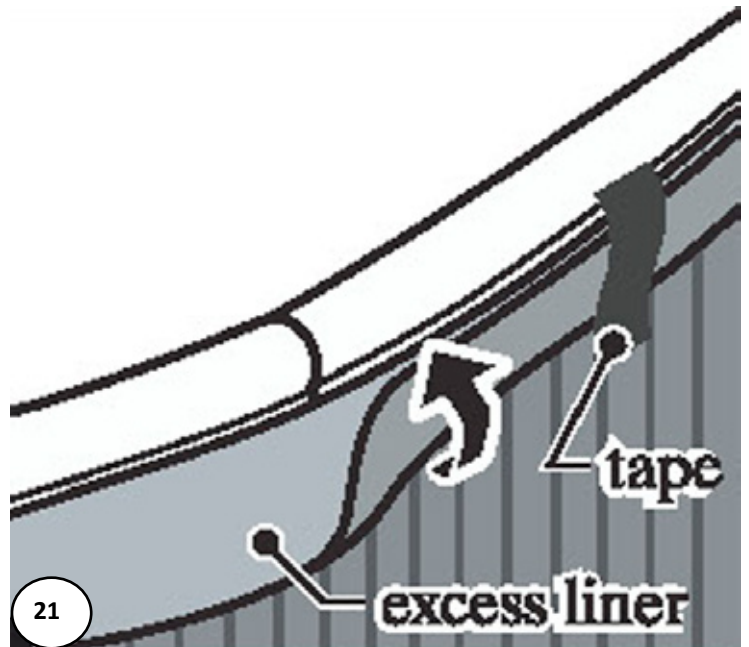
- f. After all the wrinkles in the liner are removed, trim any extra length of plastic coping so there is no overlap. *(Image 20)*

- g. Roll up any excess liner hanging below the plastic coping and tape it in place near the top of the pool wall. Important: Do not trim off the excess liner. *(Image 21)*



Important Note:

Do not trim off the excess liner. (If the liner ever needs to be removed, trimming the liner will make re-installation very difficult.) Instead, roll up any excess liner and tape it in place near the top of the pool wall.



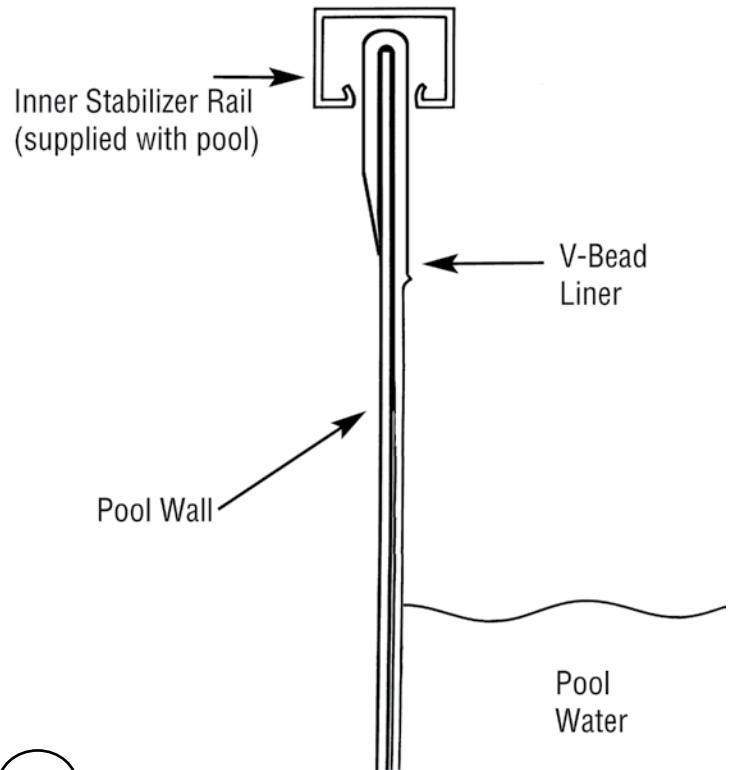
Section 3

GENERAL INSTRUCTIONS - ROUND POOLS ASSEMBLING THE POOL WALL

C. CONT. INSTALL THE POOL LINER

4. Fasten the liner in place (HUNG/J or V-BEAD LINER ONLY)

- a. With a V-Bead liner you will not use the plastic coping strips that are packed in the parts carton of your pool. You can discard those pieces, if they are included, as they only apply to pools with overlap liners.
- b. The top of the wall of the liner has what is called a "V-Bead" welded onto it. Simply open up the bead with your fingers and hang it directly on top of the pool wall. When this is done properly, the only portion on the outside of the pool wall is approximately 1" of the V-Bead. No printed liner material is actually going over the top of the wall to the outside of the wall. **(Image 22)**
- c. Make sure the bead is on evenly around the entire pool, and that the liner is hanging straight down from the top of the wall. The liner should not have creases in it because it is twisting around the pool. If the liner is twisting, it is because it is not sitting properly in the pool. Make necessary adjustments before proceeding.



22

NOTE: Some liners may fit very tightly, it is better to install uprights, top plate and rail before going onto next step. See Section 4.

Important Note:

Do not trim off the excess liner. (If the liner ever needs to be removed, trimming the liner will make re-installation very difficult). Instead, roll up any excess liner and tape it in place near the top of the pool wall.

Section 3

GENERAL INSTRUCTIONS - ROUND POOLS ASSEMBLING THE POOL WALL

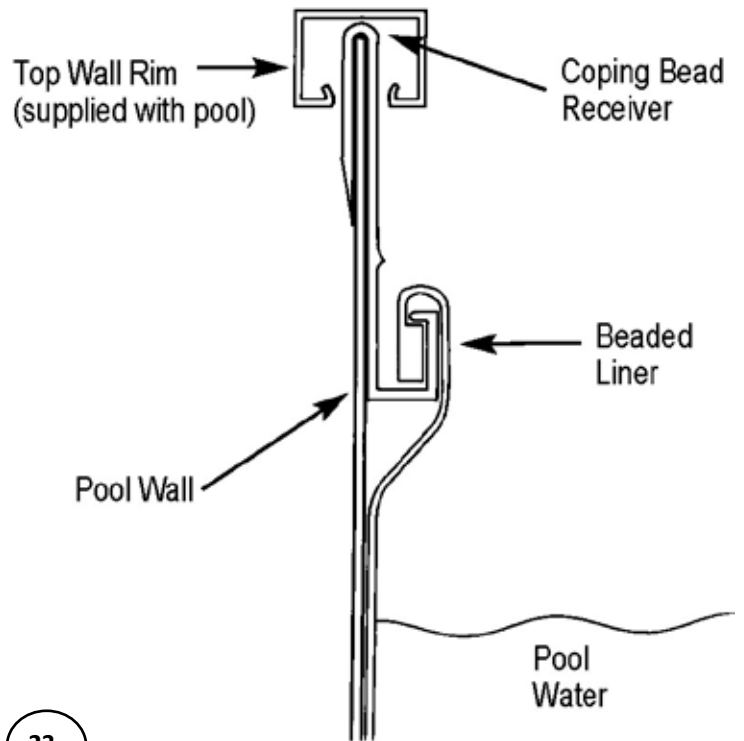
C. CONT. INSTALL THE POOL LINER

3. Fasten the liner in place (BEADLOCK/SNAPBEAD LINER ONLY)

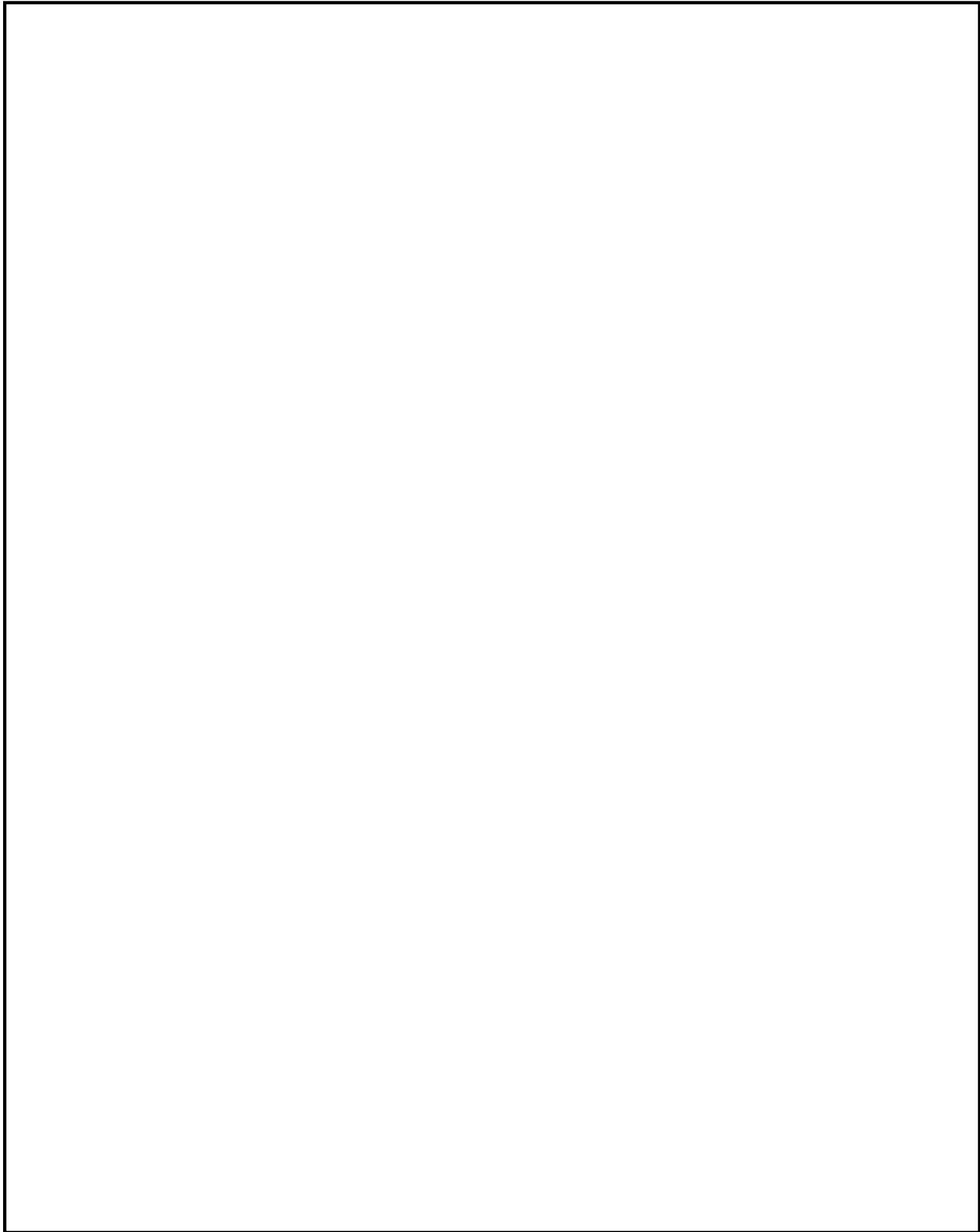
- a. With a snap bead liner you will not use the plastic coping strips that are packed in the parts carton of many pools. You can discard those pieces (if they are included). Instead, you should have received a beaded liner track (referred to as a "coping bead receiver" in *Image 23*).
- b. The beaded liner track should be installed onto the pool wall all of the way around the pool. These pieces should be as close together as possible. Leaving spaces between bead tracks can cause liner problems later on.
- c. Once all of the beaded liner track is on the wall, you can snap the liner bead into the beaded liner track at four random points around the pool. After that is done, and you are satisfied with how the liner is situated within the pool, you can continue snapping the remainder of the liner into place around the pool.
- d. Go around the entire pool again making certain that the liner is securely snapped into the track. This is important to confirm so that the liner does not pull out while under the pressure of being filled with water.

NOTE: Some liners may fit very tightly, it is better to install uprights, top plate and rail before going onto next step. See Section 4.

5. Proceed to Section 4 - Assembling the Pool Frame



23



Section 4

GENERAL INSTRUCTIONS - ROUND POOLS ASSEMBLING THE POOL FRAME

A. INSTALLATION OF THE UPRIGHTS

1. Install the uprights

NOTE: Depending on your pool model you may have steel or resin bottom plates.

- a. The wall joint is hidden behind the upright on most pools. This assures that the skimmer and skimmer return holes are not obstructed.
- b. Insert an upright into the bottom plate. Squeeze each side of the upright at the bottom into the bottom plate. Push firmly on the upright while ensuring that it is completely inserted into the bottom plate.
Steel: Image 1
Resin: Image 2
- c. Attach the bottom of the uprights to the bottom plates using a self tapping screw. (**Image 2**)
Steel: Image 3
Resin: Image 4

⚠ Important Note:
Use the ridges in the pool wall to make sure the upright column is straight up and down.

⚠ Important Note:
Ensure to leave a gap between the two bottom rails.



See Diagram:
Please refer to your pool's footprint (Section 1, last page) for gap measurement.

Section 4

GENERAL INSTRUCTIONS - ROUND POOLS ASSEMBLING THE POOL FRAME


A. INSTALLATION OF THE UPRIGHTS


2. Install the footcovers (NOT INCLUDED in Magnus Pool)

- a. If your model contains the optional footcover, attach with self-tapping screw. (Image 5)
- b. Install the finishing plug. (Image 6)

Proceed with the installation of the uprights.



 **Important Note:**
Use the ridges in the pool wall to make sure the upright column is straight up and down.

 **Important Note:**
Ensure to leave a gap between the two bottom rails.

See Diagram:
Please refer to your pool's footprint (Section 1, last page) for gap measurement.



Section 4

GENERAL INSTRUCTIONS - ROUND POOLS ASSEMBLING THE POOL FRAME

B. INSTALLATION OF THE STABILIZERS AND TOP PLATES

1. Install stabilizers and top plates

NOTE: Depending on your pool model you may have steel or resin top plates.

- a. Install the stabilizer on the wall while ensuring to leave a gap between each end. Insert the stabilizer into either side of the top plate.

Steel: *Image 7*

Resin: *Image 9*

- b. Position stabilizers and top plates just assembled on top of wall by slightly tapping them with a mallet. Make sure the recessed portion of the top plates lie to the inside of the uprights.

- c. Ensure that the upright is level.

- d. Attach the upright to the top plate using screws.

Steel: *Image 8*

Resin: *Image 10*

Repeat until you have installed all the stabilizers and top plates.



⚠ Important Note:
Ensure to leave a gap between the two stabilizers.



Section 4

GENERAL INSTRUCTIONS - ROUND POOLS ASSEMBLING THE POOL FRAME

C. INSTALLATION OF TOP LEDGE AND LEDGE COVERS


1. Install top ledge

NOTE: Depending on your pool model you may have steel or resin top ledge.

- a. Place top ledges on the wall. Align the holes on the top ledges with those on the top plates. Make sure the space left between each top ledge is uniform all around and that the space in question can be covered by a ledge cover. Attach the top ledges to the top plates using self-tapping screws.

Steel Top Ledge on Steel Top Plate: *Image 11*
Resin Top Ledge on Steel Top Plate: *Image 12*
Resin Top Ledge on Resin Top Plate: *Image 13*



 **Important Note:**
We suggest that you install all the top ledges on the wall before attaching them.

Section 4

GENERAL INSTRUCTIONS - ROUND POOLS ASSEMBLING THE POOL FRAME

C. INSTALLATION OF TOP LEDGE AND LEDGE COVERS

2. Install ledge covers

NOTE: Depending on your pool model you may have steel or resin top ledge.

- Place interior ledge cover onto the top plate and attach with a self-tapping screw.

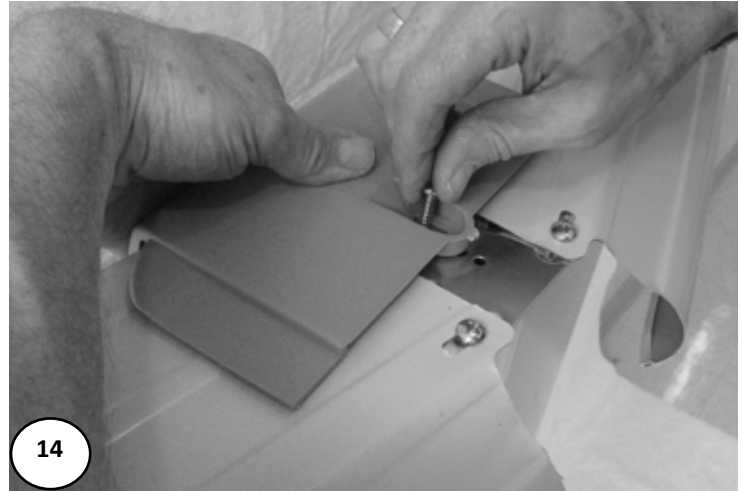
Steel Top Ledge on Steel Top Plate: Image 14

Resin Top Ledge on Steel Top Plate: Image 15

Resin Top Ledge on Resin Top Plate: Image 16

- Slide the exterior ledge cover into the interior ledge cover guide. **(Image 17)**
Note: The plug is often located inside the ledge cover. Make sure you remove it before installing the ledge cover.

Note: During assembly, the inner and outer components of the ledge cover may have been slipped into each other for packaging purposes.



⚠ Important Note:
We suggest that you install all the top ledges on the wall before attaching them.

Section
4

GENERAL INSTRUCTIONS - ROUND POOLS
ASSEMBLING THE POOL FRAME

C. INSTALLATION OF TOP LEDGE AND LEDGE COVERS

- c. Attach the exterior ledge cover to the upright using a self-tapping screw. **(Image 18)**
- d. Install the finishing plug on the ledge cover. **(Image 19)**



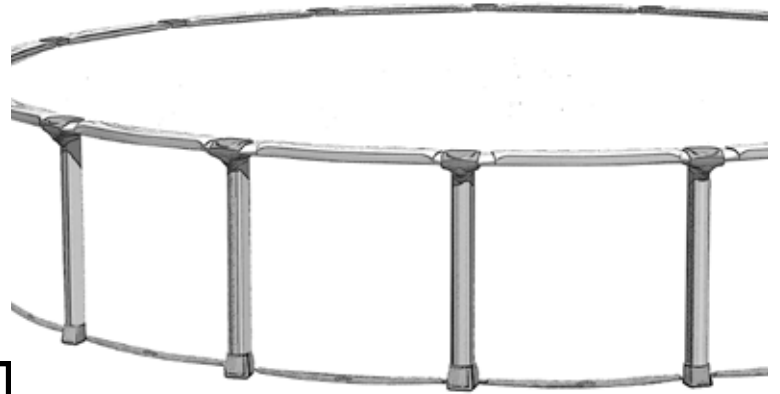
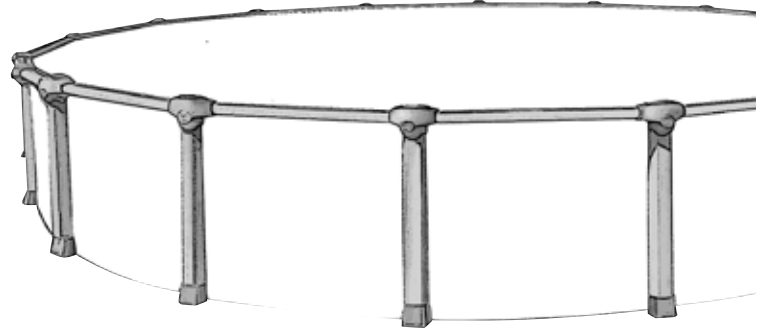
Section 4

GENERAL INSTRUCTIONS - ROUND POOLS ASSEMBLING THE POOL FRAME

D. FILL YOUR POOL WITH WATER

1. Finish filling the pool

- a. Turn off the vacuum and carefully remove it from the pool.
- b. Fill the pool with water to 2" (5cm) below the lowest opening. Make sure you remove any creases from the liner in the bottom of the pool before the water level gets too high.
- c. While the pool is filling, remove the nails that were holding the bottom rails in place.
- d. Your pool is now installed. You must now install the filter and pump, the skimmer and water return inlet. Please follow the installation instructions that come with these products.



Important Note:

Before making any openings in the liner, fill the pool with 60cm (24") of water to stretch the liner fully. When filling your pool, begin with a garden hose until there is about 30cm (12") of water in the pool. This will allow the liner to stretch gradually. You can then use a heavier flow to finish filling it up.

IMPORTANT:

Make sure that your pool is round, do not assume that by filling up the pool that this will help the pool to place itself into a perfect round circle. Ensure that it is round before filling up the pool with water.

IMPORTANT SAFETY INFORMATION:

Please refer to the safety page at the beginning of this instruction manual. You must follow the rules and information regarding placement of safety stickers on your pool.

