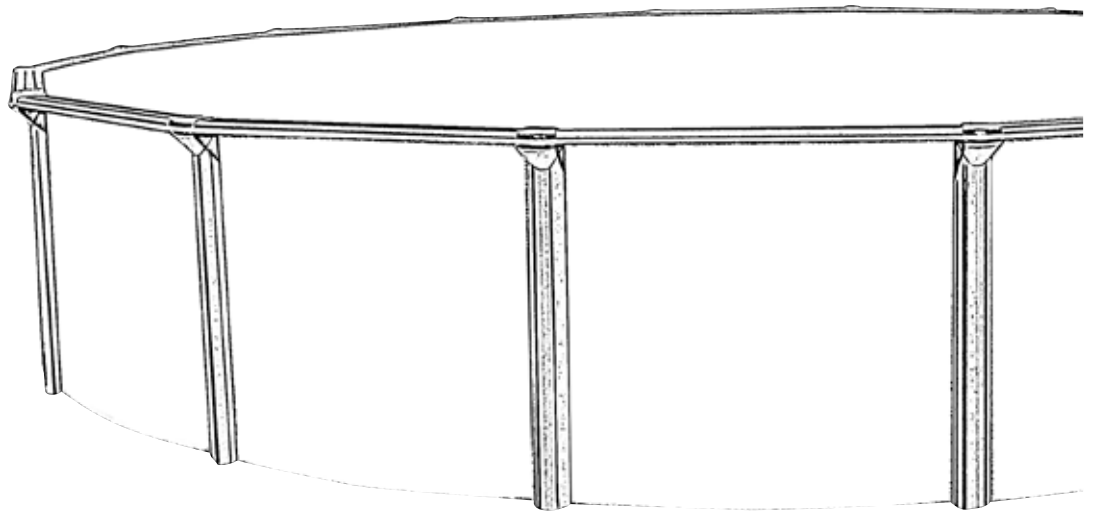
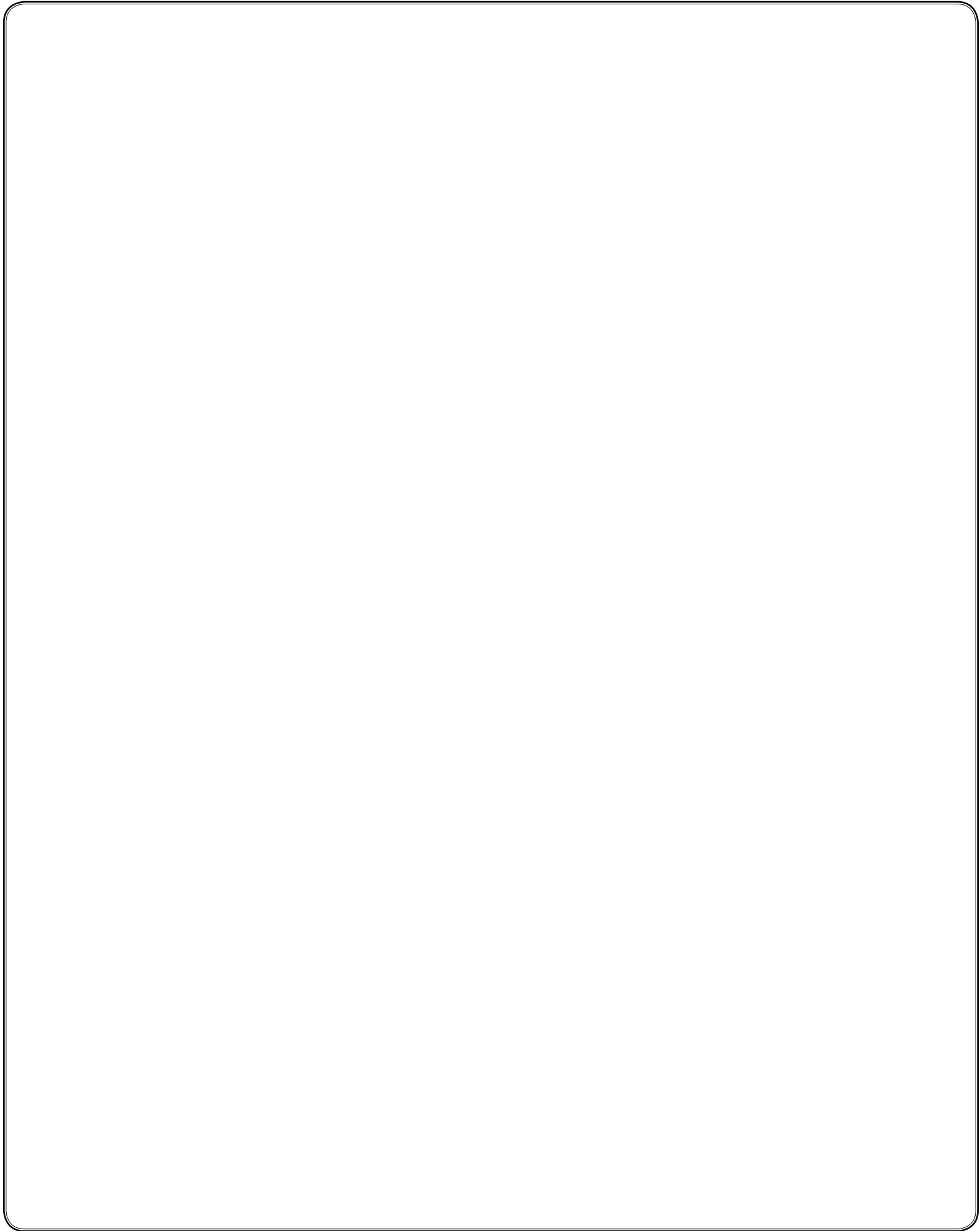


V35046

INSTALLATION MANUAL - ROUND POOLS
POOL MODEL - PRETIUM GLX & PIB





ABOVE GROUND POOL SAFETY

PLEASE READ BEFORE INSTALLATION



WARNING

FAILURE TO HEED THESE WARNINGS CAN RESULT IN PERMANENT INJURY, PARALYSIS FROM A BROKEN NECK, ELECTROCUTION OR DROWNING. THIS POOL IS NOT DESIGNED FOR DIVING OR JUMPING! DANGEROUS INJURY CAN RESULT, SHALLOW WATER!

Your pool contains a large quantity of water, and is deep enough to present inherent dangers to life and health unless the following safety rules are strictly observed. First-time users run the highest risk of injury. Make sure everyone understands. To insure your pool is used safely you must observe the following safety precautions:

1. NO JUMPING OR DIVING

The top rail of your pool is not a walkway and must not be used for jumping or diving. Do not permit jumping or diving into the pool from a deck or the top rail of the pool. Diving or jumping into the pool can result in serious injury.

2. NEVER USE THE POOL ALONE

Never permit the pool to be used unless it is attended by at least one person other than the bather. Someone should always be available to lend assistance in an emergency.

3. NEVER LEAVE CHILDREN UNATTENDED

Never leave a child alone and unsupervised in or near the pool—even for a second. There is no substitute for constant adult supervision.

4. NO ROUGH PLAY

Do not permit "rough-play" in and around your pool. Surfaces can become slippery and hazardous when wet.

5. LIGHT THE POOL AT NIGHT

If the pool is used after dusk, adequate lighting must be provided. Illumination in the pool area must be sufficient to clearly judge pool depth and all features in and around the pool. For lighting recommendations, consult your local licensed electrical contractor

6. RESTRICT ACCESS TO THE POOL

Do not leave chairs or other furniture beside the pool that could be used by a child to climb up into the pool. Ladders must be removed whenever the pool is unattended. A fence with a lockable gate around the pool or yard is strongly recommended and may be required by law in some jurisdictions.

7. NO ALCOHOL OR DRUGS

Never drink alcoholic beverages or use any intoxicants which could hinder your judgment and reflexes.

8. KEEP YOUR POOL CLEAN AND SANITARY

Your filter system will remove suspended particles from the water and the surface skimmer will remove insects, leaves and other debris from the water surface. Use the correct pool chemicals as directed to destroy harmful bacteria and prevent formation of algae. Remember, unsanitary water is a serious health hazard.

9. KEEP OFF TOP LEDGES

Do not walk on top ledges. They can be slippery and they are not a walkway.

10. POOL COVER SAFETY

The cover must have a tamperproof locking retainer cable that positions the cover around the pool wall and keeps it securely in place. Never allow anyone, especially small children on the cover. Asphyxiation or drowning could result. When purchasing any pool cover, please consult a swimming pool professional.

11. ELECTRICAL HAZARD

Never touch or attempt to service electrical equipment, including the filter when your body and/or the ground is wet. Electrocution or permanent injury due to high voltage (120V AC) could result. The pool should be bonded in accordance with Section 680-26 of the National Electrical Code. For further assistance contact your dealer or a local licensed electrician. Do not use pool during electrical or rain storms.

12. SAFETY ROPE & POLE

Keep a safety rope 1/4" by 50" with a flotation buoy with an outside diameter of 15". Have accessible in a prominent area by your pool. Keep a pole not less than 16 feet (4,88m) long with a blunt or hook end available at pool side in case of emergencies.

13. POOL CHEMICALS

Do not place chlorine, chlorine tablets or sticks directly into skimmer, or winterize your pool with liquid chlorine. Damage to the skimmer, pool liner and filter will result. Failure to obey this instruction will void all component warranties. Always follow Chemical Manufacturer's instructions when storing, handling and dispensing pool chemicals.

14. CHECK FOR DAMAGE

Periodically check your pool and ladder components for damage and wear. Be sure all screws are in place. Replace all damaged or worn components and tighten all screws before you use the pool, deck or ladders. At first sign remove rust and touch up immediately.

15. POOL PARTS

Never modify the pool or accessories, or remove or drill holes in the pool, deck or ladder components unless instructed. Your pool wall is made of thin metal, there is an inherent cut hazard with metal so use gloves during installation. Always use Original Equipment Manufactured parts for your replacement parts.

FOLLOW ALL SAFETY INSTRUCTIONS

Read and follow all safety instructions packaged with pool, ladder, deck or any other accessory. Additional pool safety publications can be obtained by contacting: The Association of Pool & Spa Professionals (www.apsp.org)



**REMEMBER
WATCH
CHILDREN**

IMPORTANT NOTICE READ BEFORE INSTALLATION!

The safety stickers must be installed as per following instructions. Failure to properly install warning labels will void warranty. Failure to mount these safety labels may subject you to substantial liability in case of injury. These warning are not to be removed under any circumstances! If they become discolored or fall off please request replacements which will be sent at no charge.



PLACE SIGN ON
LINER ABOVE WATER
LINE, OPPOSITE EN-
TRY TO POOL



PLACE SIGN ON
WALL NEXT TO
POOL ENTRY

SECTION 1

General Instructions - Round Pools Ground Preparation

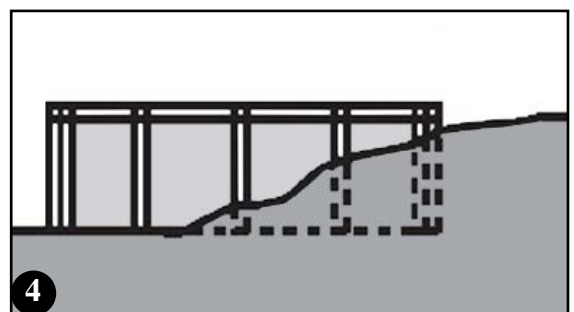
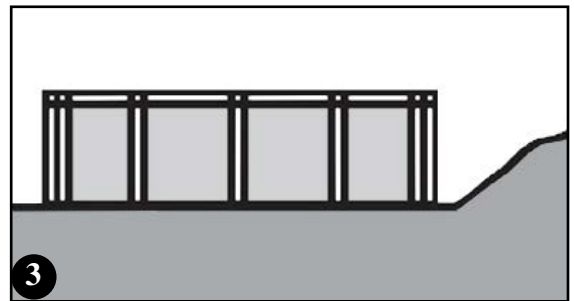
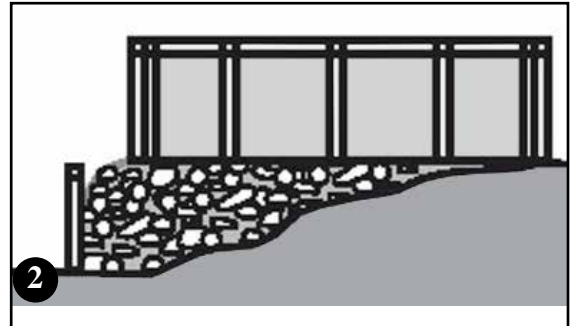
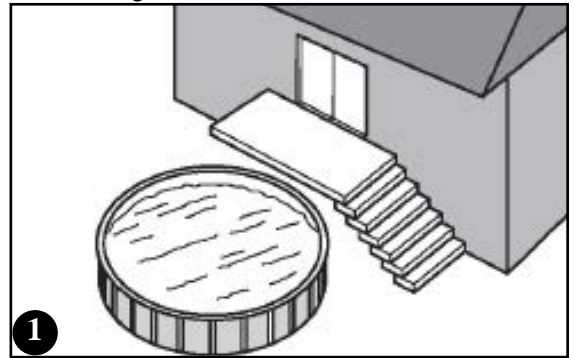
Read all instructions completely before you begin.

A. Determine a Location for your Pool

1. The Terrain

Pay special attention to choosing the right location for your pool:

- Choose a large area, as flat and level as possible and well drained.
- Choose a spot on dry, firm earth—do not install the pool on concrete, asphalt, tar paper, sand, gravel, peat moss, wood or chemically treated soil.
- Check with your pool dealer to see if Nut Grass grows in your area. This type of grass may grow up through your pool liner. Your dealer will be able to advise how best to treat the site.
- Sloped areas will need to be made level by digging away high spots, not by filling low spots—be prepared to hire earth-moving equipment if necessary.



Important Note:

Ground preparation is one of the most important steps in the installation process. A **proper foundation** will ensure the rest of the pool assembly goes smoothly and that no problems will occur when the pool is filled with water.



No Diving or Jumping.



Observe all Safety Rules.



Important:

When locating the centre of the pool, **be sure** to take into consideration any structures (deck, patio, house) or relevant items (change rooms, gazebo, etc.) that the pool may need to line up with and ensure that the pool is in the most visual pleasing location for your property.

2. Things to Avoid

Do not locate your pool near or on any of the following:

- Overhanging tree branches.
- Overhead wires and clotheslines.
- Buried pipes and wires-contact your gas, electric and telephone utilities to find buried pipes and wires before you dig.
- Hilly and uneven terrain.
- Areas with poor drainage.
- Grass, stones and roots. Grass will rot underneath the pool liner, and stones and roots will damage the pool liner.
- Areas recently treated with oil-based weed killers, chemicals or fertilizers.

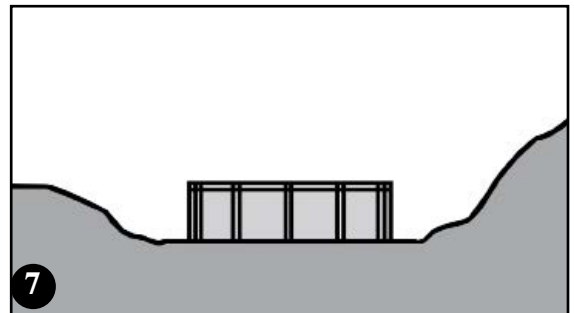
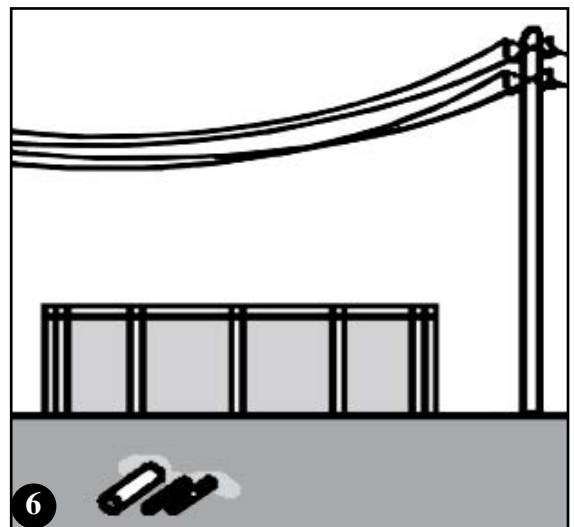
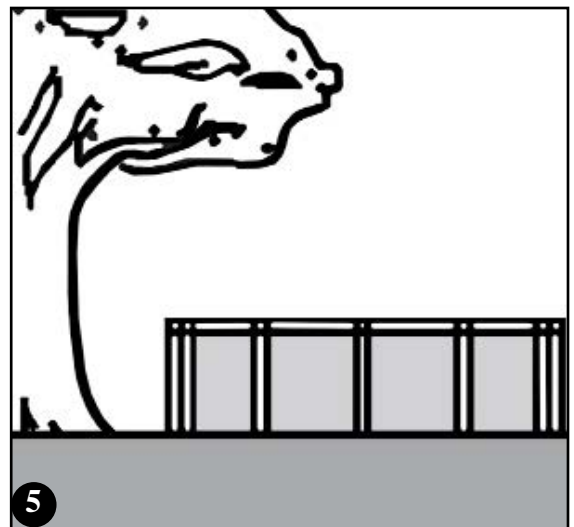
3. Plan Ahead

- Will you be adding an adjacent deck later? Be sure to leave room.
- Will you be using pool accessories or other appliances that need electricity or gas? Locate your pool near these services or plan to have them installed later by a licensed contractor.

4. Tools Needed

Make sure you have the necessary tools and materials before beginning your installation:

- Shovel
- Hammer
- Tape Measure
- SprayPaint
- Screwdriver
- Level
- Straight wood plank
- Rake
- String & Stakes
- Duct tape
- Wheelbarrow
- Mallet
- Waterhose
- Compactor
- Vacuum cleaner
- Wrench
- Cement blocks (5cm x 20cm x 40cm / 2"x8"x16") (optional)
- Material that provides a permanent base (ex. crushed stone)
- Fine Sand (void of debris)
- 2 x Plywood (60cm x 120cm / 2ft x 4ft)
- Pool Carpeting (optional)
- Polyethylene Plastic Sheeting
- Vinyl covered hooks to hold the wall steady



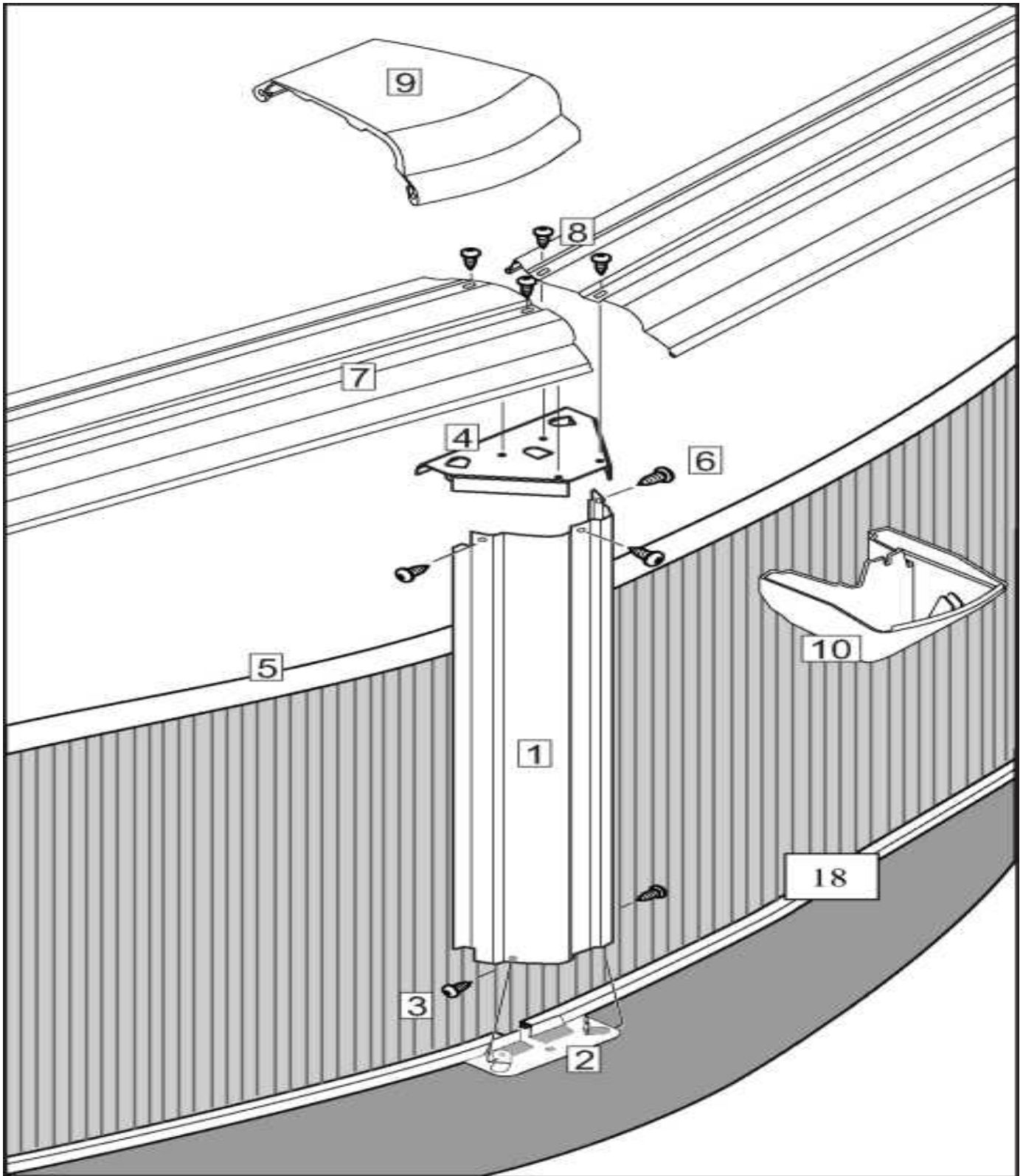
No Diving or Jumping.



Observe all Safety Rules.

B. PARTS LISTING - EXPLODED VIEW

Pretium GLX STR
PPREGLX-52SSSTSSFB0
Round



 No Diving or Jumping.  Observe all Safety Rules.

PARTS LISTING - CONTENT LIST

Product Description:			Pretium GLX Round									Revised Sept.2013
Product Code:			PPREGLX-52SSSTSSFB0									
				Quantity required for installation (by pool size)								
INDEX#	DESCRIPTION	PARTS#	LENGTH	12	15	18	21	24	27	30	33	
2	Bottom Plate	1320101		10	10	12	14	16	18	20	22	
4	Top Plate	1320102		10	10	12	14	16	18	20	22	
18	Bottom Rail	1460048		10								
		1460049			10							
		1460050				12						
		1460051					14					
		1460052						16				
		1460053							18			
		1460102								20		
		1460159									22	
5	Slotted tube	1470096		10								
		1470097			10							
		1470098				12						
		1470099					14					
		1470100						16				
		1470101							18			
		1470102								20		
		1470103									22	
n/a	Slotted tube Connector	1470108	6"	10	10	12	14	16	18	20	22	
n/a	Round Coping	1382480	47"	10	13	15	17	20	22	25	27	
7	Top ledge	1450872	45-15/32"	10								
		1450873	56-27/32"		10	12	14	16	18	20	22	
1	Upright	1440512	51-1/2"	10	10	12	14	16	18	20	22	
9	Ledge cover	1490837		10	10	12	14	16	18	20	22	
10	Ledge cover - lower	1490849		10	10	12	14	16	18	20	22	
n/a	DVD	36877		1	1	1	1	1	1	1	1	
3,6,8	Hardware Pack (Qty. - 59)	1184299				2	1				1	
	Hardware Pack (Qty. - 77)	1184300					1	2	1			
	Hardware Pack (Qty. - 95)	1184301		1	1				1	2	2	
	Wall			1	1	1	1	1	1	1	1	
	Wall joiner bar	11823		2	2	2	2	2	2	2	2	



No Diving or Jumping.

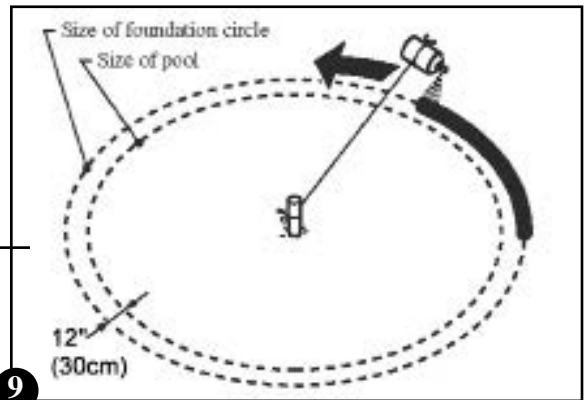
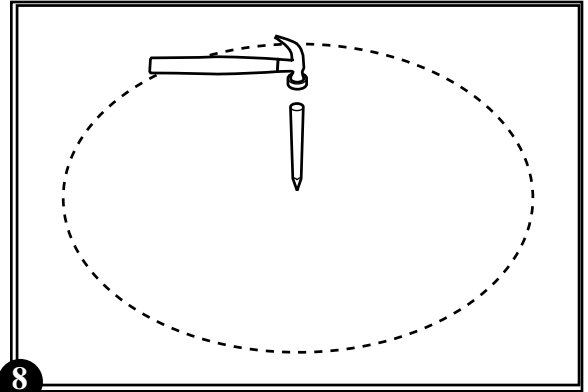


Observe all Safety Rules.

C. Prepare the Foundation of your Pool

1. Mark out the Area

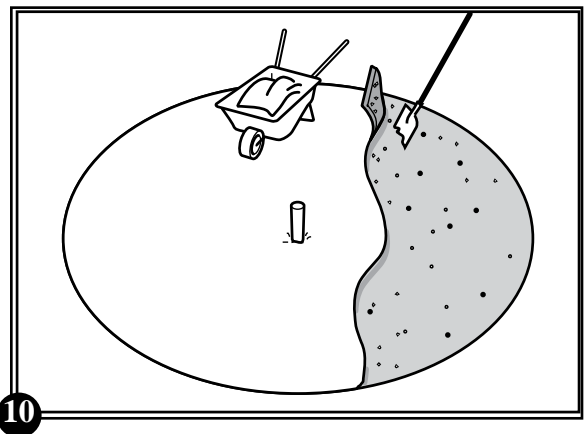
- a. Drive a peg into the ground at the **centre** of the area where you want your pool.
- b. Use a length of string tied between the peg and a can of spray paint, and mark a circle on the ground. Choose the length of string you need for your pool from the chart below. The circle will be 6" (30 cm) bigger all round than the pool.



Pool Size	Length of string	Length of plank <i>2-by-4 (5cm x 10cm)</i>
12' (3,66m)	6'-6" (200cm)	6'-6" (200cm)
15' (4,57m)	8'-0" (244cm)	8'-0" (244cm)
18' (5,49m)	9'-6" (290cm)	9'-6" (290cm)
21' (6,40m)	11'-0" (335cm)	11'-0" (335cm)
24' (7,32m)	12'-6" (380cm)	12'-6" (380cm)
27' (8,23m)	14'-0" (426cm)	14'-0" (426cm)

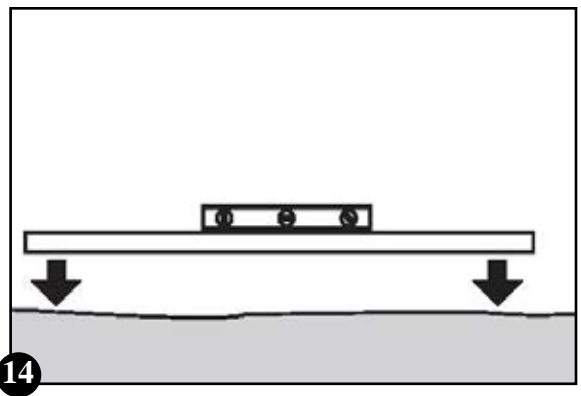
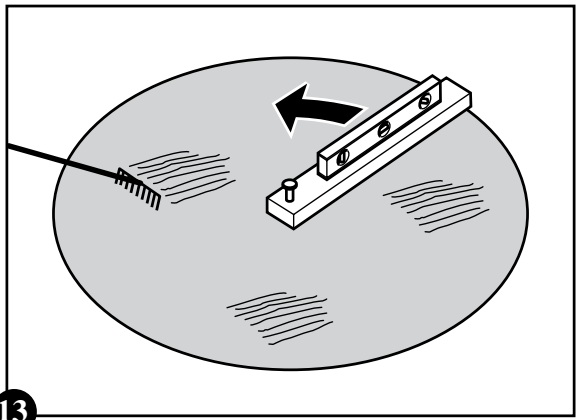
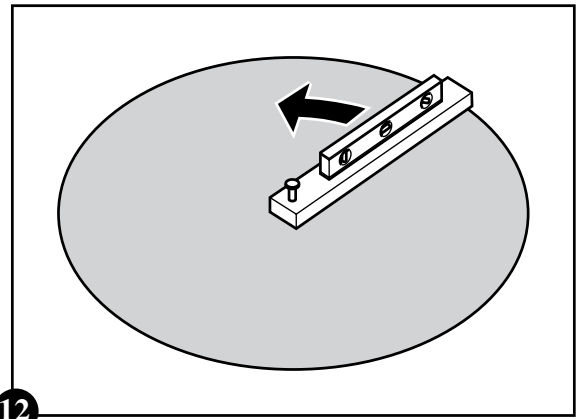
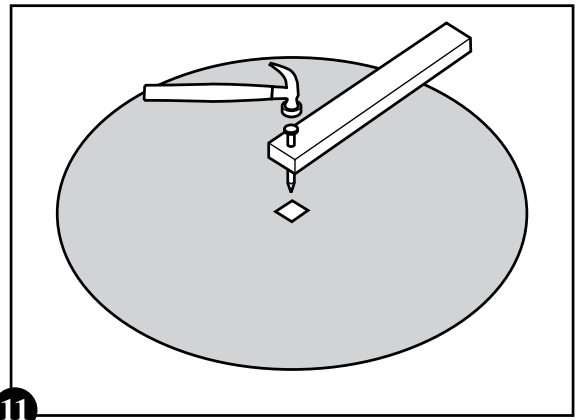
2. Remove the Sod

- a. Remove all sod and plants from the circle.
- b. Remove any sticks, stones and roots from the circle.



3. Make the Area Flat and Level

- a. Replace the centre peg with a flat-topped stake, at least 1" (25 mm) square and 6" (15 cm) long. Drive it down flush with the ground surface.
- b. Nail one end of a **straight** 2-by-4 to the top of the stake. Choose the length of 2-by-4 you need for your pool from the chart above. Use a nail long enough to hold the end of the 2-by-4 to the stake while you rotate it in a circle.
- c. Put a carpenter's level on the 2-by-4 and swing the board in a circle to find the high and low spots.
- d. Remove all the high spots with a shovel, hoe or rake.
- e. Be prepared to hire earth moving equipment if you need to level a large area. Remember, your pool must be level across the diameter of the pool.



Remember:

Your pool must be perfectly level. Take the time you need to be sure your foundation is perfectly level.



Hint:

Use a surveyor's transit instead of a carpenter's level, if one is available.

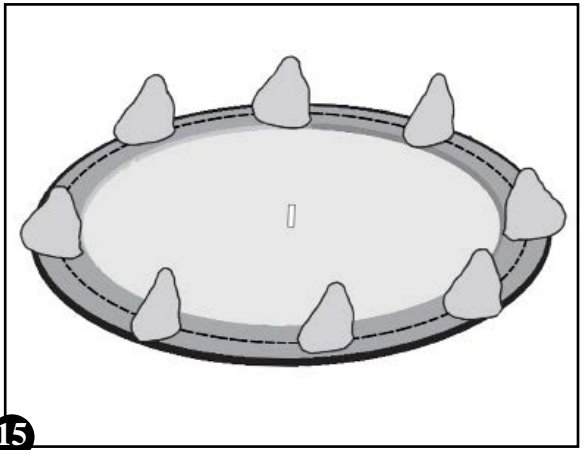


No Diving or Jumping.



Observe all Safety Rules.

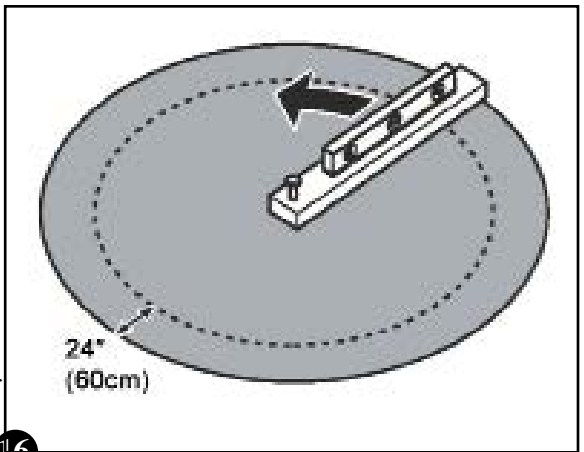
- f. Small dips and hollows may be filled in, but the soil must be hard-packed and well compacted with a **tamping tool**.
- g. Take material such as rock dust or fine mortar that can conform a solid, permanent base and deposit this material around the rim of the basin. The material used should be spread around the perimeter of the pool to a width of 24" (60cm) and a thickness of 2" (5cm).



15

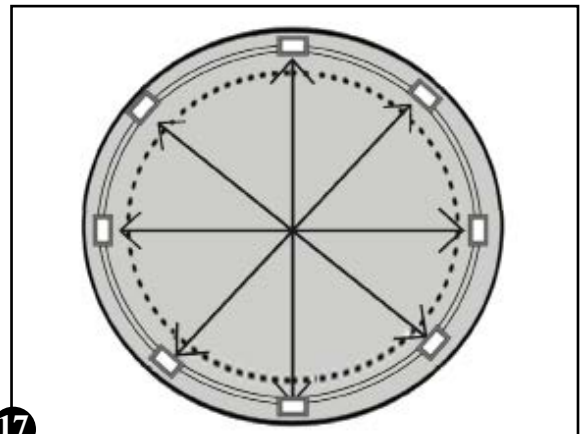
NOTE: Bottom rails will be placed in the center of the perimeter of the pool, see dashed line. (Image 15)

- h. Recheck the outer circle where the pool wall will be. Make sure there are no high or low spots. The bottom edge of the pool wall **must** rest flat on the ground and have no gaps under it.



16

- i. Go over the entire perimeter of the pool to ensure that at every 3" the surface is completely level.
- j. Lay out the bottom rails and bottom plates around the circle.
- k. Check out the roundness of your circle, by measuring the diameter across in several locations. Since the bottom rails do not automatically form a true circle. **DO NOT SKIP THIS STEP!** Otherwise you might end up with a slightly oval shape, which can cause problems later on.



17

- l. Verify the height of each bottom plate with an optical level. They have to be at the same height. Adjust height if necessary.



Important:

The out 24" (60cm) of the circle must be perfectly flat. the bottom edge of the pool must rest flat on the ground and have no gaps under it. Take the time you need to be sure this area is perfectly flat and level.



No Diving or Jumping.



Observe all Safety Rules.

4. Patio Stones (Optional)

- a. Concrete patio stones may be placed at the base of each vertical column (upright) of your pool. Choose the number of patio stones you need for your pool from the chart below.

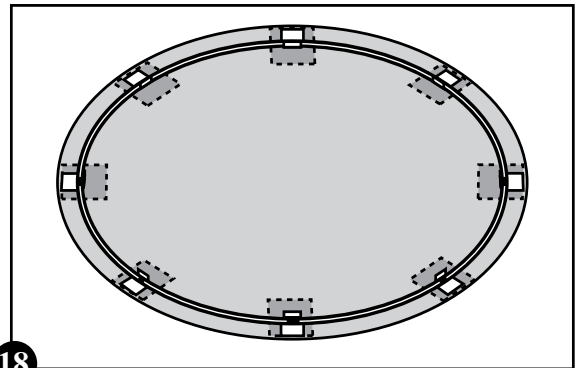
Pool Size	Number of Patio Stones (Optional)
12'	10
15'	10
18'	12
21'	14
24'	16
27'	18



Note:

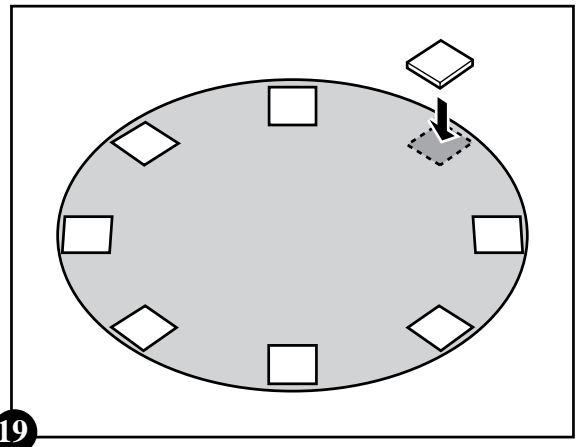
Installing patio blocks is optional and the blocks may shift due to temperature changes.

- b. Temporarily lay out the bottom rails and bottom plates around the circle. Each bottom plate will show the location for a patio stone. Make a mark in the ground at each bottom plate.

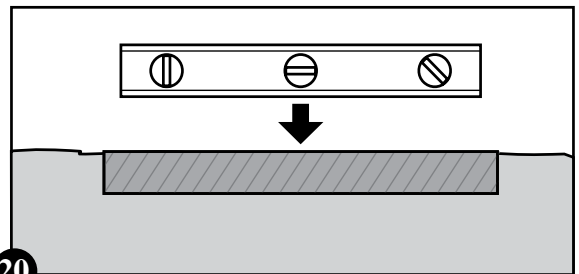


- c. Remove the bottom rails and bottom plates and lay out the patio stones around the circle where the bottom plates were.

- d. The patio stones must be sunk into the ground so the tops are flush with the soil around them. Use the carpenter's level to make sure the patio stones are perfectly level and flush with the ground. Use either the carpenter's level and a 2-by-4 (5cm x 10cm) wood plank, or the optical level between patio stones to make sure the stones are level with each other.



- e. Do not install blocks or rails on loose sifted soil or sand. There must be no space between the ground and the bottom of the rails. All patio blocks must be flush with the ground, solid and level with each other in all directions.



- f. Remove the centre stake and 2-by-4.



Remember:

The outer 12" (30 cm) of the circle must be perfectly flat. The bottom edge of the pool **must** rest flat on the ground and have no gaps under it. Take the time you need to be sure this area is perfectly flat and level.

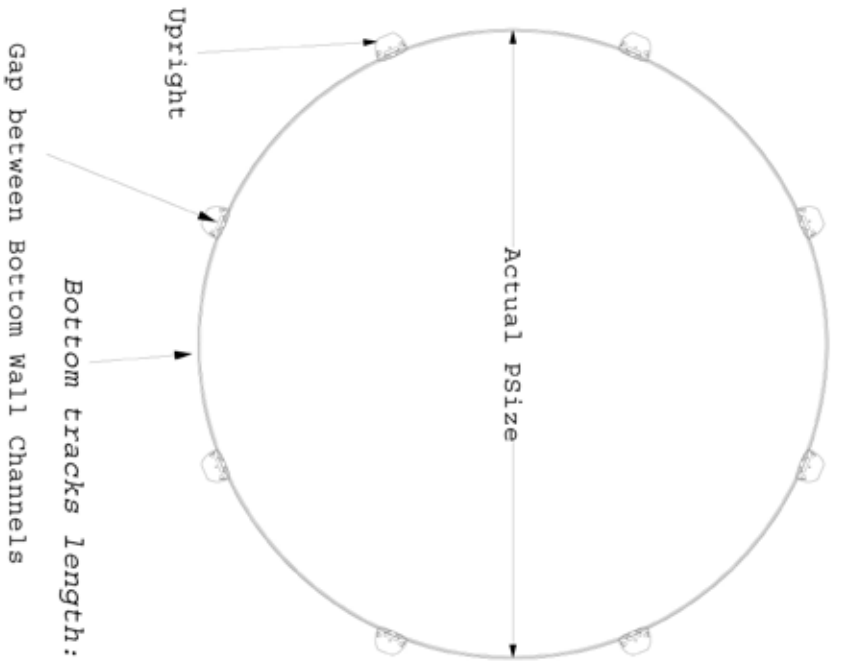
5. Proceed to Section 2

Assembling the pool base.



No Diving or Jumping. Observe all Safety Rules.

ROUND FOOTPRINT - ALL SIZES



Pool Name	12'	15'	18'	21'	24'	27'	30'	33'
Actual Size	12'	15'	18'	21'	24'	27'	30'	33'
Uprights	10	10	12	14	16	18	20	22
Rails & Stabilizer Radius of Rails	20	20	24	28	32	36	40	44
Gap B/T Rails	6'	7.5'	9'	10.5'	12'	13.5'	15'	15'
Wall Perimeter	1/4	5/8	3/4	7/8	1/2	7/8	5/8	1/2
Wall Length	451	565	679	792	905	1018	1132	1244
Wall Length	452	566	680	793	906	1019	1133	1245

Bottom tracks length: 12'=44-7/8", 15'=55-7/8", 18'=55-7/8", 21'=55-3/4", 24'=56-1/8", 27'=55-11/16", 30'=56", 33'=56"

- Notes:
1. All dimensions are in inches unless otherwise specified.
 2. All dimensions are referenced from the wall location.
 3. Manufacturers tolerances and field condition may result in dimensional variations.



No Diving or Jumping.



Observe all Safety Rules.



No Diving or Jumping.



Observe all Safety Rules.

SECTION 2

Pool Component Installation Manual

Assembling the Pool Base



NOTE:

If you want, in-stead of using pa-tio stones you can make crushed lime-stone pads. Dig a 12" x 12" (30 x 30 cm) square hole 2" (5 cm) deep and fill the hole with sta-bilizer, packing it down hard. Spray with wa-ter as you pack it down. .

A. Assemble your Pool Base

1. Lay out the Base Plates and Bottom Rails

- a. Place the base plates equally spaced around the perimeter of your foun-dation. If you are using the optional patio stones, place one base plate on each stone..
- b. Slide the curved bottom rails together with the base plates. Leave a 1/2" (13mm) gap between the ends of the bottom rails.

NOTE: Please refer to your pool's footprint (See Section 1, last page) for the gap measurement for your pool size.



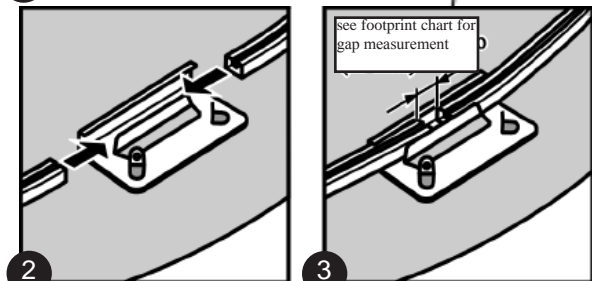
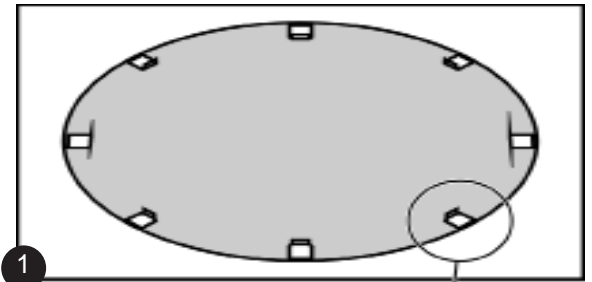
HINT:

Bend the first 1/8" (3 mm) of the end of the bottom rail slightly with a pair of pliers to make sure the rail doesn't slide out of the base plate when the pool wall is installed..



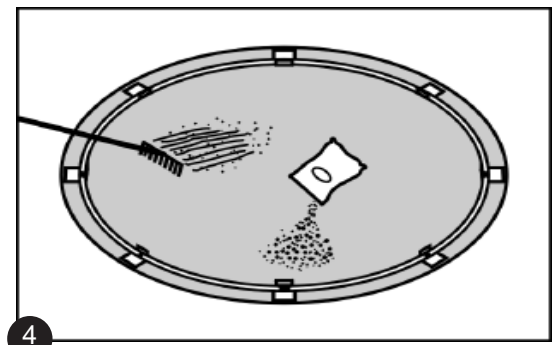
REMEMBER:

Spread stabilizer out over the entire pool foundation area inside the base rails. This pro-vides a protective surface for the pool liner to rest on.



2. Spread out Brick Sand/Stabilizer

- a. Spread a layer of fine brick sand (no pebbles) over the foundation area, 2" (5cm) deep. Use a rake to make the brick sand flat and smooth..



No Diving or Jumping.



Observe all Safety Rules.

 *No Diving or Jumping.*  *Observe all Safety Rules.*

SECTION

3

Pool Component Installation Manual

Assembling the Pool Wall & Liner

A. Assemble your Pool Wall

Do not attempt to install the pool wall in the wind, wait for a calm day.

It takes at least 3 people to install the pool wall.



Hint:

Bring the following items into the middle of the pool foundation before you start uncoiling the pool wall: plywood, some extra sand or fine dirt to make the cove and a ladder to climb out after the wall is assembled..



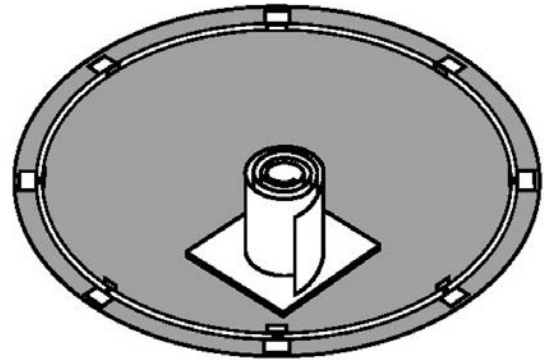
Caution:

Do not attempt to install the pool wall in the wind. Wait for a calm day.

1. Preparing for the wall installation

- Make sure the skimmer and water return holes are located where you need them to be. The skimmer and water return holes are positioned towards the end of the wall, (the section before where the wall started).

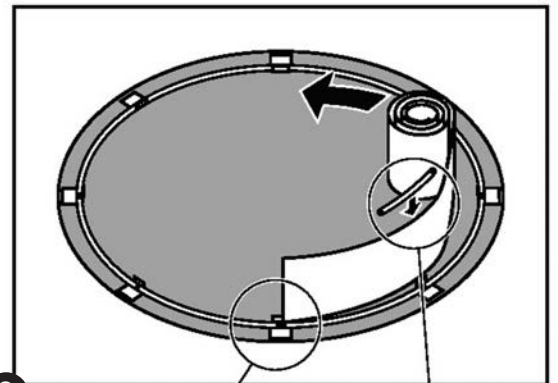
- Unpackage the coiled pool wall and stand it on the plywood at the place close to where you need to install the skimmer. (Remember the skimmer and water return holes will be placed at the section just before where you started the wall installation).



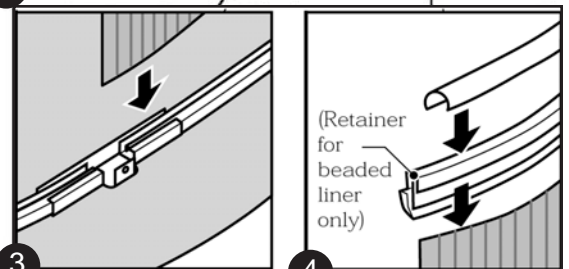
- Start uncoiling the wall, guiding the bottom edge into the curved bottom rail. The starting end of the wall **must** be positioned **over a base plate**, and the skimmer and return holes should be positioned where the pump and filter will be.

1

- Set lengths of the omega stabilizer onto the top edge of the wall as you uncoil it and join the omega stabilizer with connectors as you go, leaving a 1/2" (13 mm) gap between each. **Make sure** the gap is directly above the base plate (If you have a **beaded pool liner**, set lengths of **liner retainer** on the top edge of the wall first, then the omega stabilizer and connectors.)



2



3

4



Hint:

Secure the slotted tube connector to the wall with a piece of duct tape after installation to prevent it from lifting off the wall.



No Diving or Jumping.



Observe all Safety Rules.

- e. Work around the foundation until the entire pool wall is uncoiled into the bottom rails and the top edge is covered with the omega stabilizer and connectors (and beaded liner retainers if you have a beaded pool liner).

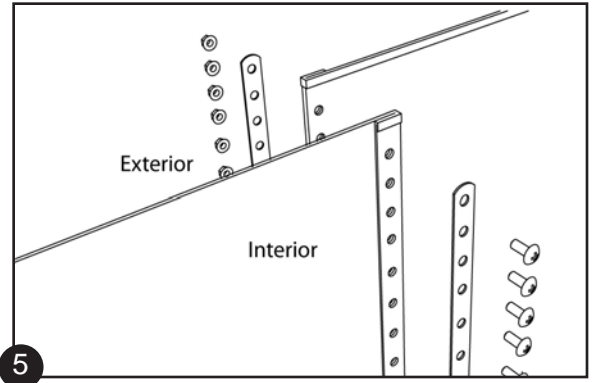


Hint:

Stick a screwdriver through two of the holes to help line up the ends of the wall.

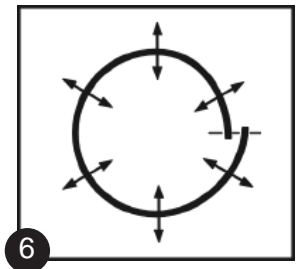
2. Join the Ends of the Pool Wall

- a. Line up the holes in the two ends of the pool wall.



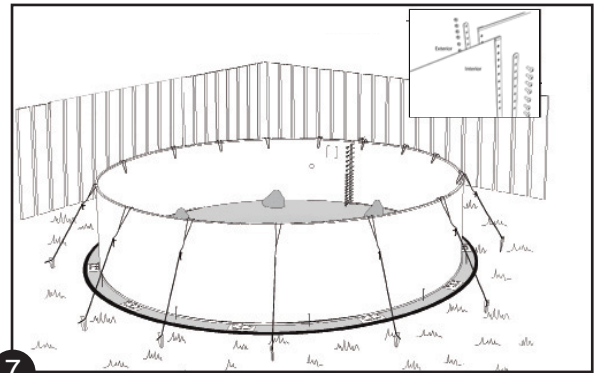
- b. To line up the holes, make the circle bigger or smaller by nudging the bottom plates in or out with your foot.

You **MUST** recheck the gaps at each and every one of the bottom rails so that they are all equal in gap size.



- c. To fasten the wall joint, overlap the two steel bars, one on the inside and the other on the outside. Tighten the mechanical screws on the inside and the nuts on the outside.

NOTE: When tightening the screws start from either the top and go down or vice versa. do not start a few screws from top and a few from the bottom to meet in the middle, this can cause problems later on.



Remember:

The bolt heads must be toward the inside of the pool. Cover the bolt heads with duct tape.

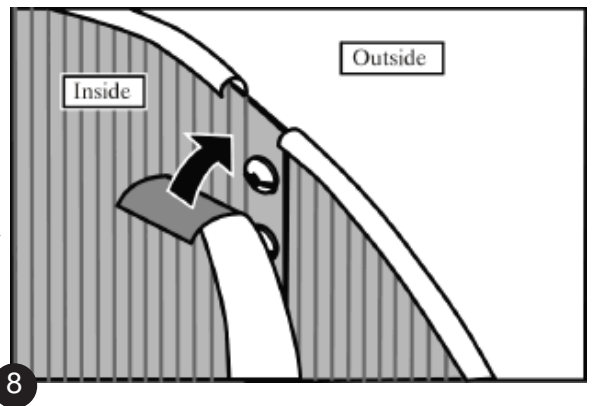


Important:

Bottom rails must always be held in place by the bottom plate.

- d. Ensure that all bolts and all the holes are used.

- e. Cover the seam and bolt heads on the inside of the pool wall completely with three layers of 2" (50mm) duct tape.



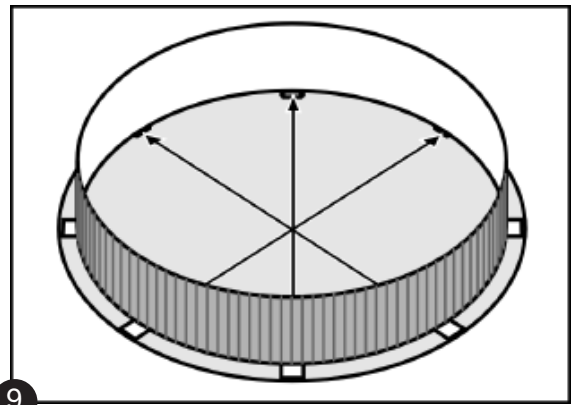
No Diving or Jumping.



Observe all Safety Rules.

3. Make sure the Pool Wall is Round

- a. Using a tape measure, measure across the circle at each base plate. The pool wall **must** be round within 1" (25 mm) (all of the measurements must be within 1" (25 mm) of each other). Adjust the circle by nudging the base plates in or out with your foot.
- b. Adjusting the pool to the proper shape may cause the bottom rails and base plates to slip out of alignment a little. Recheck all of the base plates to make sure each one is centred where the base rails meet

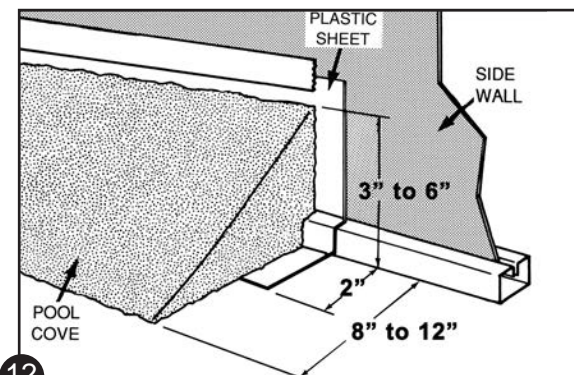
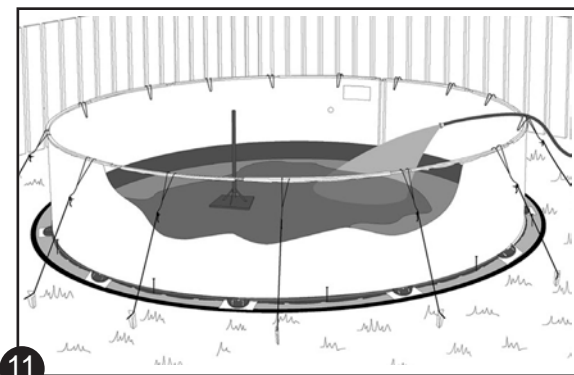
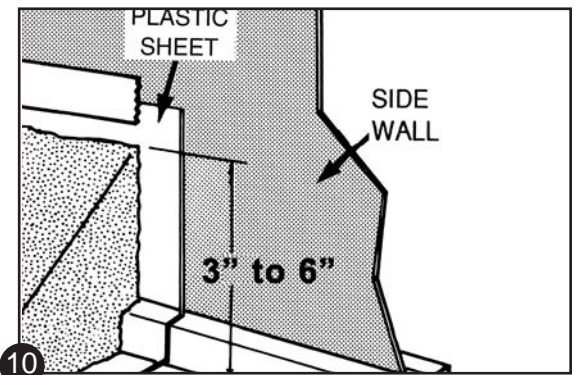


Caution:

The pool **must** be level across the perimeter. A pool that is not level is dangerous and may collapse.

4. Make a Cove

- a. If you are using sand, bank the sand against the wall to form a cove of 3" to 6" (7.5cm to 15cm) high and 8" to 12" (20cm to 30cm) wide at ground level. This will prevent the liner from creeping under the wall, and it will also protect the liner from any metal edges of the pool framework. **THIS STEP IS NOT OPTIONAL, IT MUST BE DONE.**
- b. Water the sand to compact it and use a trowel to spread it evenly.
- c. Since earth containing chemicals can cause discoloration or corrosion, it is suggested that you place polyethylene plastic sheeting under the cove around the perimeter of the wall, so no earth comes in contact with the metal. Since the presence of such chemicals is beyond the control of the manufacturer, such damage is not covered under warranty.
- d. If you are using styrofoam cove pieces instead of sand, insert them in the bottom rail and refer to the installation instructions that are provided with them.



Remember:

The cove is an important part of the pool structure. Take your time to make a complete, full-size cove.



No Diving or Jumping.



Observe all Safety Rules.

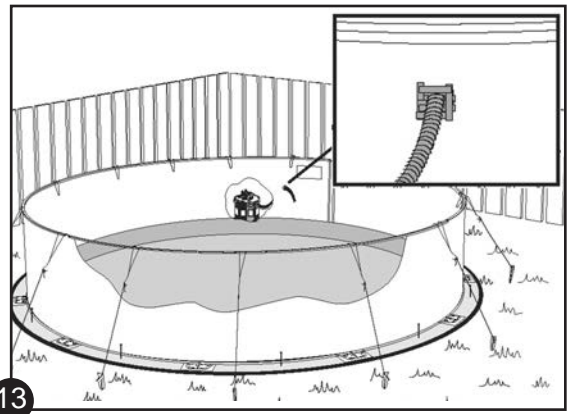
- e. A vacuum cleaner can later be used to remove the air from between the liner and the wall. This technique enables you to remove folds in the liner. However the following precautions should be taken:

Do not use an industrial vacuum cleaner which could be too powerful.

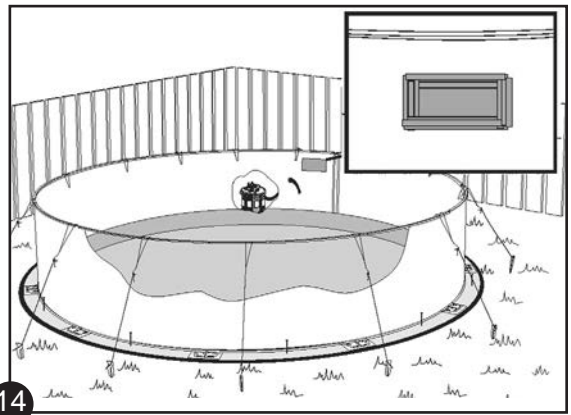
Tape the end of the vacuum hose before inserting it into the wall so as not to damage the liner.

Insert the nozzle until it is about 4" (10cm) above the cove (insert through the water return outlet or the skimmer depending on the diameter of your hose). Make sure you will be able to remove the hose later on.

Tape the hose to the wall.



- f. Close the skimmer opening with cardboard and adhesive tape so that the suction of air works better..



B. Install your Pool Liner

1. Set the liner in place

- a. Open the carton. **Do not** use anything sharp to open the carton.
- b. Unpack and unfold the liner and spread it out in the sun to warm it up. Inspect all the seams and surfaces for holes.



Hint:

If possible, unfold the liner on the grass one to two hours before installation.

Be careful not to leave the liner too long or you may damage the grass.



Hint:

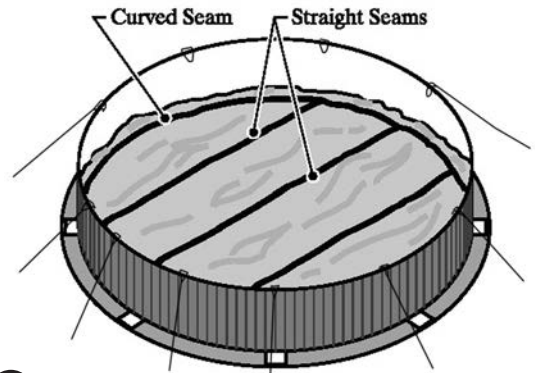
The liner is generally smaller than the support structure of the pool. It will stretch more easily when warm. It is important that the liner is installed on a warm sunny day.

- c. Spread out the liner, smooth side down. The curved seam should be centred on the cove at the base of the wall. The other seams will form straight lines across the bottom of the pool.
- d. Smooth out all the wrinkles in the bottom.

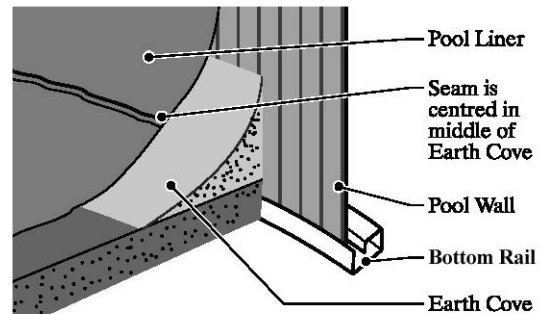
2. Fasten the Liner in place (Overlap Liner only)

This step applies only if you have an Overlap Liner. See the next page if you have a Beaded Liner or V-Bead Liner.

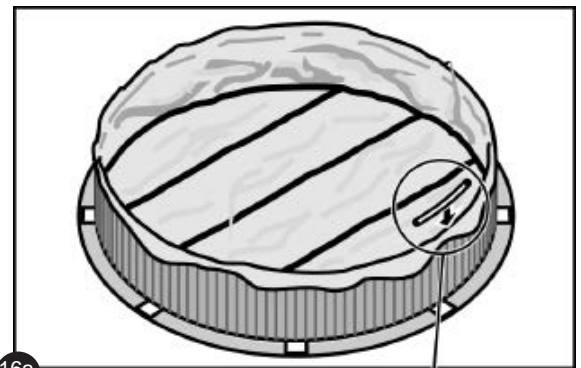
- a. Starting at the liner wall seam, hang the liner over the wall making sure that the seam is straight up and down, perpendicular to the floor. (Remove stabilizers gradually as you fold the liner over the top of the wall.) This will assure you that the liner begins going over the wall straight.



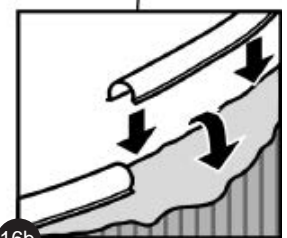
15



16



16a



16b



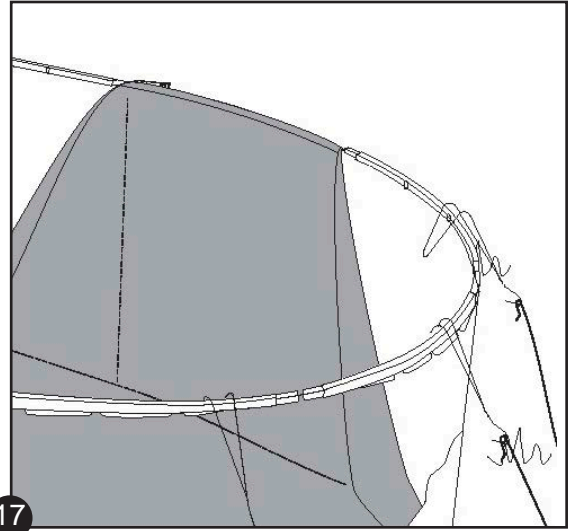
No Diving or Jumping.



Observe all Safety Rules.

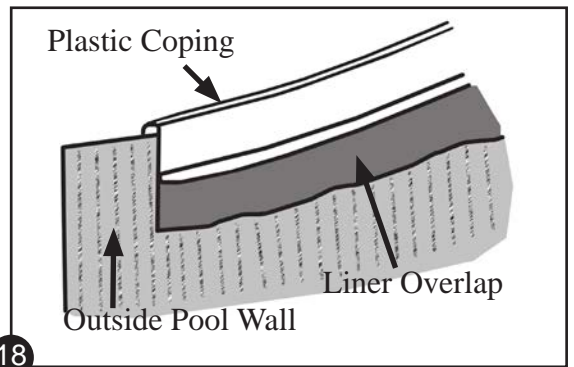
- b. As you put the liner over the wall you can secure it by using the plastic coping strips to keep it in place. If you end up with excess material, continue around the pool, pulling excess liner evenly, and distribute over the wall until the excess is gone.
- c. Fasten the liner to the top of the wall with plastic coping. Let the liner hang slack for now. Do not pull the liner tight.

NOTE: Some liners may fit very tightly, it is better to install uprights, top plate and top ledge before going onto next step. See Section 4.



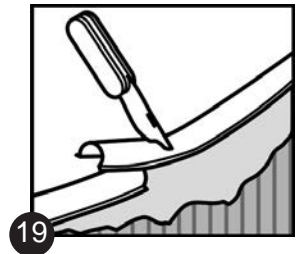
17

- d. Turn the vacuum cleaner on and push the liner outward with your feet to iron out any wrinkles. Once finished, turn off vacuum cleaner.
- e. Start filling the pool with water. As the pool fills, work out all the wrinkles and smooth the liner to the wall. Remove the plastic coping around the top edge of the wall one piece at a time and adjust the liner. Keep smoothing out the wrinkles.

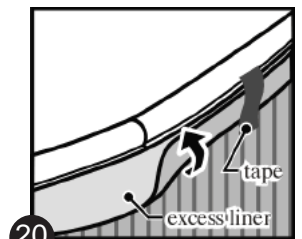


18

- f. After all the wrinkles in the liner are removed, trim any extra length of plastic coping so there is no overlap.
- g. Roll up any excess liner hanging below the plastic coping and tape it in place near the top of the pool wall. Important: Do not trim off the excess liner.



19



20



Important:

Do not trim off the excess liner. (If the liner ever needs to be removed, trimming the liner will make re-installation very difficult.) Instead, roll up any excess liner and tape it in place near the top of the pool wall.



No Diving or Jumping.



Observe all Safety Rules.

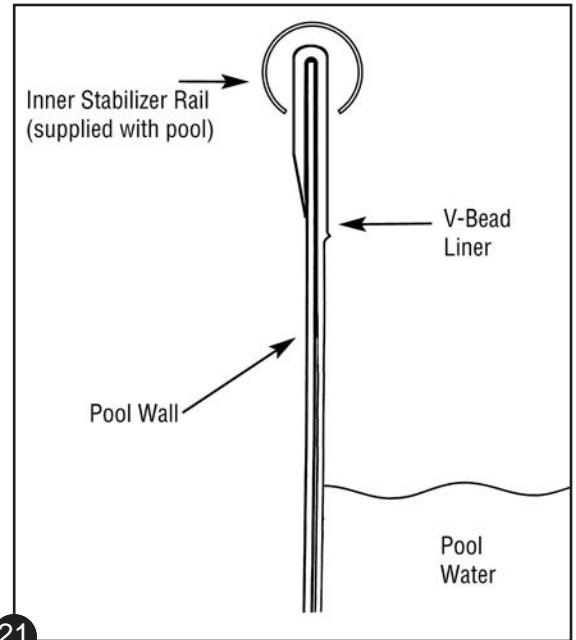
3. Fasten the Liner in place (Hung/J or V-Bead Liner only)



Remember:

Do not trim off the excess liner. (If the liner ever needs to be removed, trimming the liner will make re-installation very difficult.) Instead, roll up any excess liner and tape it in place near the top of the pool wall.

- a. With a V-Bead liner you will not use the plastic coping strips that are packed in the parts carton of your pool. You can discard those pieces, if they are included, as they only apply to pools with overlap liners.
- b. The top of the wall of the liner has what is called a “V-Bead” welded onto it. Simply open up the bead with your fingers and hang it directly on top of the pool wall. When this is done properly, the only portion on the outside of the pool wall is approximately 1” of the V-Bead. No printed liner material is actually going over the top of the wall to the outside of the wall.
- c. Make sure the bead is on evenly around the entire pool, and that the liner is hanging straight down from the top of the wall. The liner should not have creases in it because it is twisting around the pool. If the liner is twisting, it is because it is not sitting properly in the pool. Make necessary adjustments before proceeding.



NOTE: Some liners may fit very tightly, it is better to install uprights, top plate and top ledge before going onto next step. See Section 4.



No Diving or Jumping.

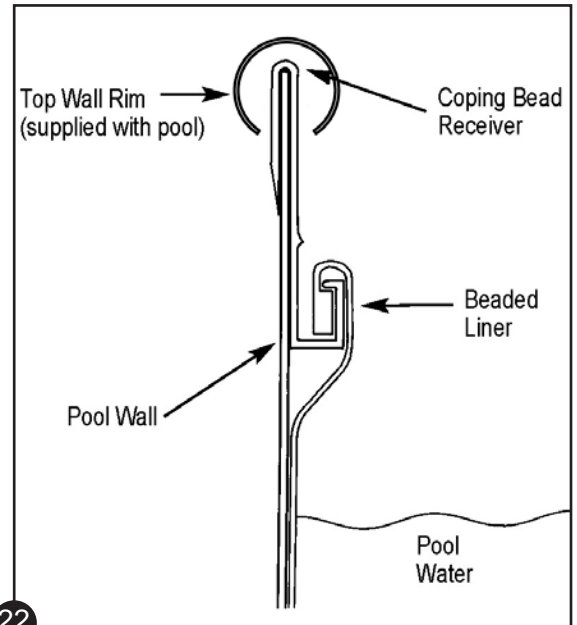


Observe all Safety Rules.

4. Fasten the liner place

(BEADLOCK/SNAPBEAD LINER ONLY)

- a. With a snap bead liner you will not use the plastic coping strips that are packed in the parts carton of many pools. You can discard those pieces (if they are included). Instead, you should have received a beaded liner track (referred to as a “coping bead receiver” in this image).
- b. The beaded liner track should be installed onto the pool wall all of the way around the pool. These pieces should be as close together as possible. Leaving spaces between bead tracks can cause liner problems later on.
- c. Once all of the beaded liner track is on the wall, you can snap the liner bead into the beaded liner track at four random points around the pool. After that is done, and you are satisfied with how the liner is situated within the pool, you can continue snapping the remainder of the liner into place around the pool.
- d. Go around the entire pool again making certain that the liner is securely snapped into the track. This is important to confirm so that the liner does not pull out while under the pressure of being filled with water.



22

NOTE: Some liners may fit very tightly, it is better to install uprights, top plate and ledge before going onto next step. See Section 4.



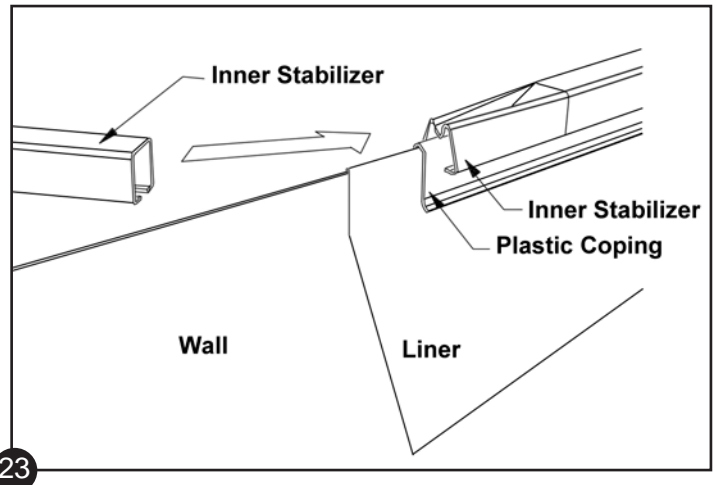
No Diving or Jumping.



Observe all Safety Rules.

5. Stabilizer Installation (SUNRAY ONLY)

- a. Once the liner is in place and the plastic coping or bead track is all set, install the stabilizers around the top edge of the pool. The stabilizers are reduced on one end so that they slide into each other about 1-3/4".



5. Proceed to Section 4 - Assembling the Pool Frame



No Diving or Jumping.



Observe all Safety Rules.

 *No Diving or Jumping.*  *Observe all Safety Rules.*

Installing the Top Ledges & Uprights

A. Attach your Uprights and Top Ledges

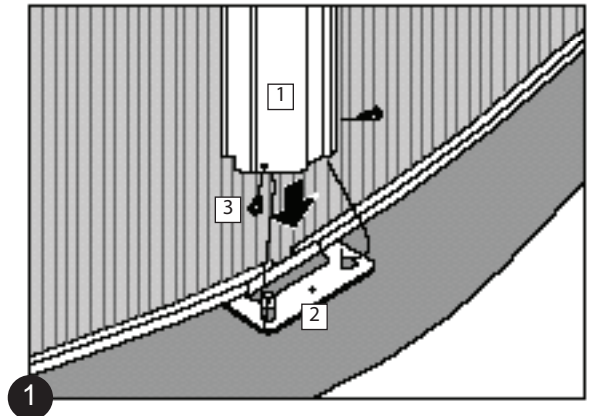
1. Continue filling your Pool

- Continue filling your pool with water. Do not put in more than 12" (30 cm) of water until the top ledges and vertical uprights are all attached.
- Keep working on the top ledges and uprights while the pool fills.

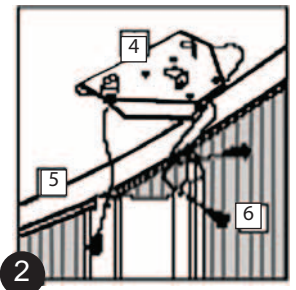
- See the drawing on the next page for an overview of all the parts used to install the uprights, top ledges and ledge covers.

2. Install the Uprights

- Line up the bottom of one upright (key 1) with the two small tabs on one base plate (key 2). The tabs must be on the **inside** of the upright.
- Line up the screw holes and fasten with one self-tapping screw on each side (key 3).



- Hook a top plate (key 4) over the top edge of the pool wall (key 5). Place the top plate down over the top of the upright with the tabs on the **inside** of the upright. Make sure the upright is straight up and down.
- Line up the screw holes and fasten with one self-tapping screw on each side and one on the front (key 6).
- Repeat the last four steps for each of the uprights around the pool wall.



Hint:

Use the ridges in the pool wall to make sure the upright is straight up and down.

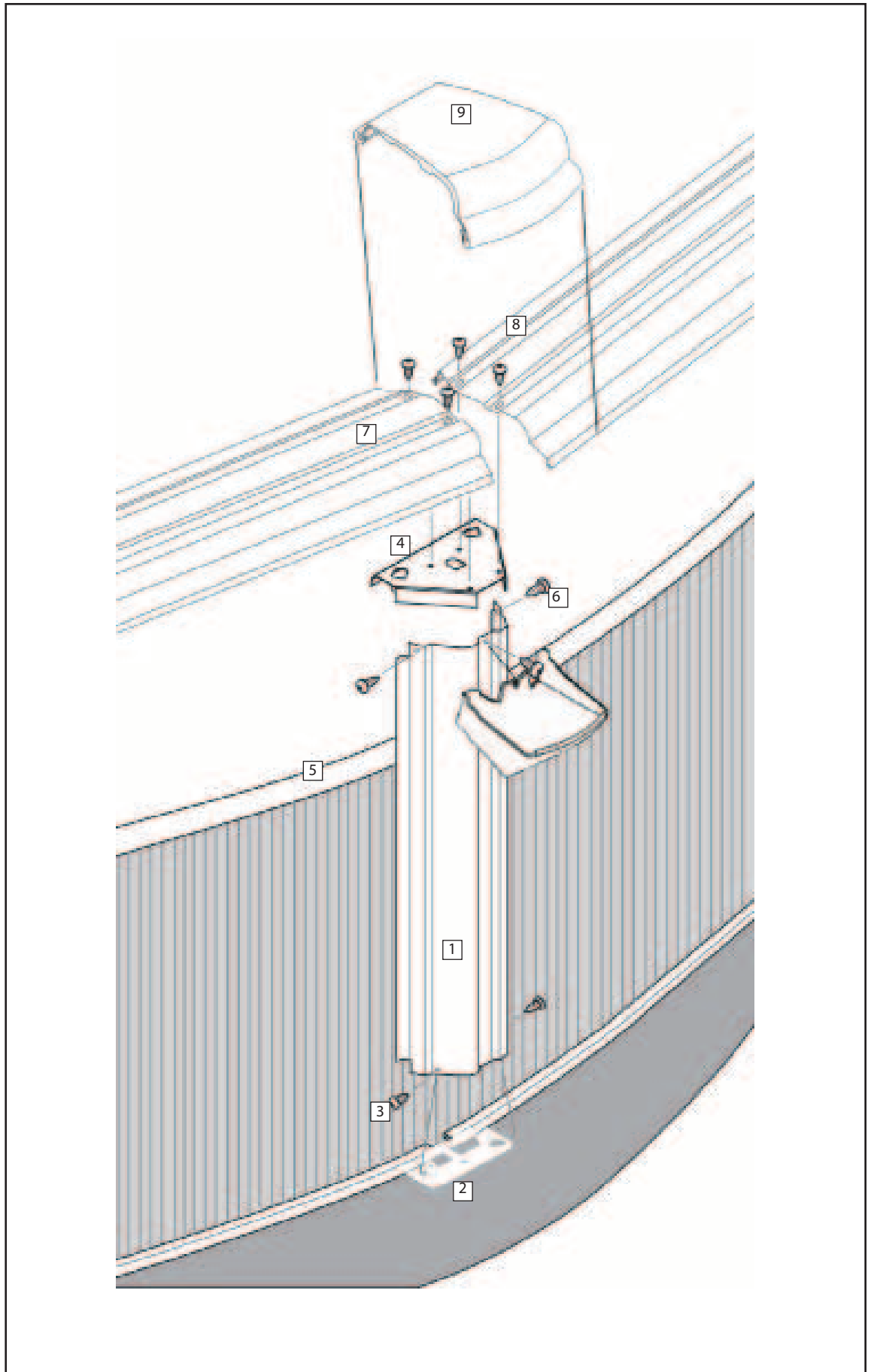


No Diving or Jumping.



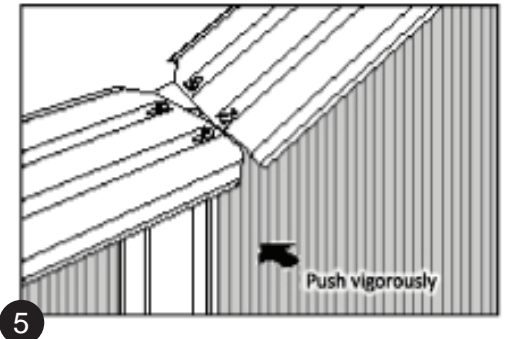
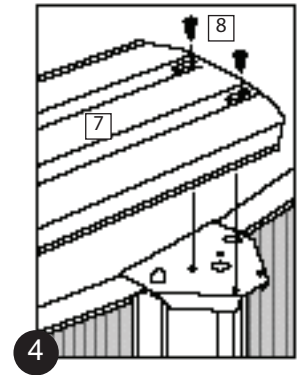
Observe all Safety Rules.

Overview of Upright,
Top Ledge and Ledge
Cover Assembly



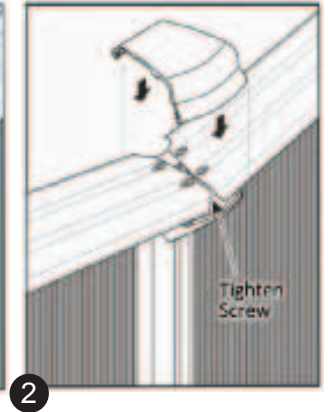
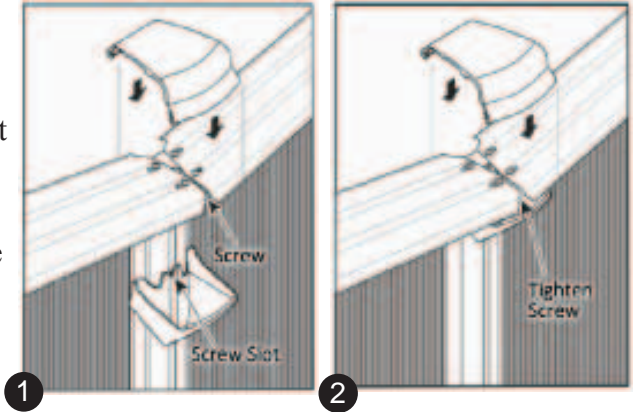
3. Install the Top Ledges

- a. Place a top ledge (key 7) with one end on top of the top plate. The side of the top ledge facing the centre of the pool should be close to the pool liner and pool wall. The side of the top ledge facing the outside of the pool will form a large overhang.
- b. Line up the holes as shown. Fasten through the two oval holes to the top plate below with two self-tapping screws (key 8). **Do not** tighten the screws yet. Leave the screws slightly loose until all the top ledges are in place.
- c. Repeat the last two steps for the other end of the top ledge.
- d. Repeat steps (a) to (c) to install the rest of the top ledges around the top of the pool wall.
- e. Make the pool settle into a perfect circle by pushing the top of the pool wall **vigorously** inward at each upright (this will help make the bottom of the pool wall shift into a perfect circle).
- f. Adjust all the top ledges to line up evenly with each other and tighten all the screws.



4. Install the Ledge Covers

- a. Loosen the front screw used to secure the top plate to the upright.
- b. Place a bottom ledge cover against an upright as shown in diagram 1.
- c. Slide the bottom ledge cover upwards until the slot on the ledge cover rests under the screw.
- d. Tighten the screw and repeat for the other uprights.
- e. Coat all showing screw heads with clear outdoor varnish.



Caution:

Before anyone uses your pool, read and follow all the **Safety Rules** in Section 1. This pool is **not** for diving or jumping.



Important:

The pool wall may bulge and shift a little while filling with water. This is normal.



No Diving or Jumping.



Observe all Safety Rules.

B. Fill your Pool with Water

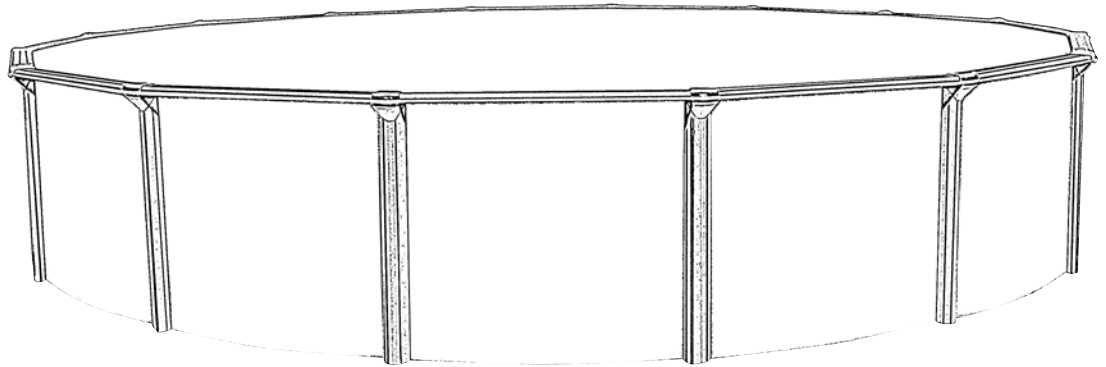
1. Finish filling the pool

- a. Turn off the vacuum and carefully remove it from the pool.
- b. Fill the pool with water to 2” (5cm) below the lowest opening. Make sure you remove any creases from the liner in the bottom of the pool before the water level gets too high.
- c. While the pool is filling, remove the nails that were holding the bottom rails in place.
- d. Your pool is now installed. You must now install the filter and pump, the skimmer and water return inlet. Please follow the installation instructions that come with these products.



Caution:

Before making any openings in the liner, fill the pool with 60cm (24”) of water to stretch the liner fully. When filling your pool, begin with a garden hose until there is about 30cm (12”) of water in the pool. This will allow the liner to stretch gradually. You can then use a heavier flow to finish filling it up.



Important:

Make sure that your pool is round, do not assume that by filling up the pool that this will help the pool to place itself into a perfect round circle. Ensure that it is round before filling up the pool with water.

IMPORTANT SAFETY INFORMATION:

Please refer to the safety page at the beginning of this instruction manual. You must follow the rules and information regarding placement of safety stickers on your pool.



No Diving or Jumping.



Observe all Safety Rules.