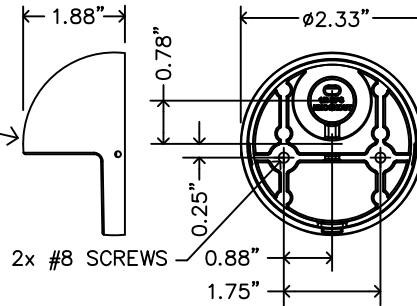
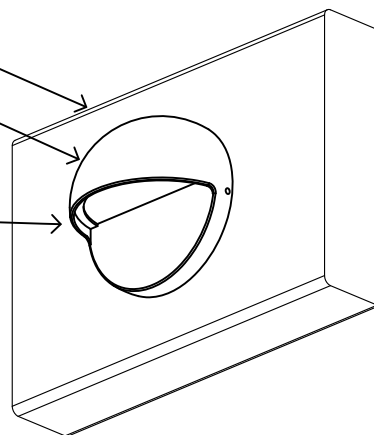


INSTALL FX LUMINAIRE  
 MULLUSCO MURO USING 16  
 GAUGE CABLE AND PROVIDED  
 WIRE NUTS. MOUNT 8"–12" OFF  
 FINISHED GRADE.

THE FX LUMINAIRE MULLUSCO  
 MURO SHROUD DIAMETER IS 2.33".



WOODEN WALL  
 MOUNTING HARDWARE PROVIDED  
 WITH MULLUSCO MURO.  
 THE FX MULLUSCO MURO  
 INCORPORATES AN ADJUSTABLE  
 LAMP SHROUD FOR FIELD LEVEL  
 ADJUSTMENT, 10 WATT MAXIMUM  
 LAMP.



THIS FIXTURE IS DESIGNED  
 FOR DOWN LIGHTING ONLY.  
 DO NOT USE IN UP LIGHT  
 POSITION.

SECTION/ELEVATION

XX MULLUSCO MURO(MM)  
 WOOD WALL MOUNT  
 NOT TO SCALE FX LUMINAIRE DETAIL