

Pool Breakdown

Trinity 15'x30' Oval 52"

NB1845

| | |
|---|--|
| <p><u>FEATURES:</u> Oval Size: 15'x30' Depth: 52" 30 Year Warranty</p> | <p><u>STRUCTURE COMPOSITION:</u> Rugged Steel Frame Resin Top Seat Resin Rail Resin Upright Protective Wall Coatings</p> |
|---|--|

| | Qty | Carton # | Carton Content Description |
|--------------------------|-----|---------------------------|--|
| <input type="checkbox"/> | 1 | 301552-MIR-CX-4 | TRINITY – 52" INCH VERTICAL UPRIGHT, INSTRUCTIONS, PAPERWORK |
| <input type="checkbox"/> | 1 | 301552-MIR-CX-2 | TRINITY – 7 INCH TOP SEAT |
| <input type="checkbox"/> | 1 | 3015-MRP-CX-3-SW | TRINITY – 7 INCH JOINT, 7 INCH SEAT COVER, 7 INCH SEAT COVER BRACKET, SEAT COVER ASSEMBLY BOLT PACKAGE |
| <input type="checkbox"/> | 1 | 3015-5/8 RAIL-2-RR | TRINITY – 5/8 INCH RESIN RAIL |
| <input type="checkbox"/> | 1 | 3015-BL08-CX-A | TRINITY – HORIZONTAL SUPPORT, PRESSURE PLATE, OVAL BOLT PACKAGE |
| <input type="checkbox"/> | 1 | 301552-BL08-CX-B | TRINITY – 52" SIDE VERTICAL, SIDE VERTICAL SKIN, END & MIDDLE STRAPS |
| <input type="checkbox"/> | 1 | 301552-DYN-W-SW | TRINITY – TAUPE WALL, PLASTIC EDGING, 52" WALL JOINT PACKAGE |

Carton Breakdown

Trinity 15'x30' Oval 52"

NB1845

| Key # | Qty | Item # | Mfg Part # | Part Description | |
|--|--------|--------|------------|------------------|--|
| FRAME CARTON # 301552-MIR-CX-4 | | | | | |
| <input type="checkbox"/> | 1A | 10 | NBP1300 | 2390 | Trinity Vertical (52" High) |
| <input type="checkbox"/> | --- | 1 | ----- | 0022 | Warranty |
| <input type="checkbox"/> | --- | 1 | ----- | 0023 | Safety Decals |
| <input type="checkbox"/> | --- | 1 | ----- | 0024 | Parts List + Frame Instruction |
| FRAME CARTON # 301552-MIR-CX-2 | | | | | |
| <input type="checkbox"/> | 7A,8B | 16 | NBP1301 | 1105 | Trinity Top Seat L=1444mm (56-7/8") 15ft |
| FRAME CARTON # 3015-MRP-CX-3-SW | | | | | |
| <input type="checkbox"/> | 5A | 10 | NBP1061 | 2176 | 7in Resin Joint - Upper |
| <input type="checkbox"/> | 6A | 10 | NBP1062 | 2276 | 7in Resin Joint - Lower |
| <input type="checkbox"/> | 2A | 10 | NBP1302 | 2485 | Trinity Seat Cover |
| <input type="checkbox"/> | 3A | 10 | NBP1303 | 2486 | Trinity Seat Cover Bracket |
| <input type="checkbox"/> | 15A | 6 | NBP1311 | 3477 | Trinity Side Seat Cover |
| <input type="checkbox"/> | 14A,5B | 6 | NBP1312 | 3177 | Resin Side Upper Joint |
| <input type="checkbox"/> | 4B | 6 | NBP1313 | 3234 | 5/8in Resin Side Lower Rail Joint |
| Seat Cover Assembly Bolt Package (Part # 0341, Order # NBP1111) | | | | | |
| <input type="checkbox"/> | 9A | 160 | NBP1111 | 0341* | #12 Sheet Metal Screw |
| <input type="checkbox"/> | 4A | 16 | NBP1111 | 2402* | Seat Cover Cap |
| FRAME CARTON # 3015-5/8 RAIL-2-RR | | | | | |
| <input type="checkbox"/> | 8A,9B | 32 | NBP1304 | 1715-R | 5/8in Resin Rail L=1431mm (56-3/8") |

*These part #'s are not available to purchase separately. They must be purchased as the Seat Cover Assembly Bolt Package, Order # NBP1111.

Carton Breakdown

Trinity 15'x30' Oval 52" NB1845

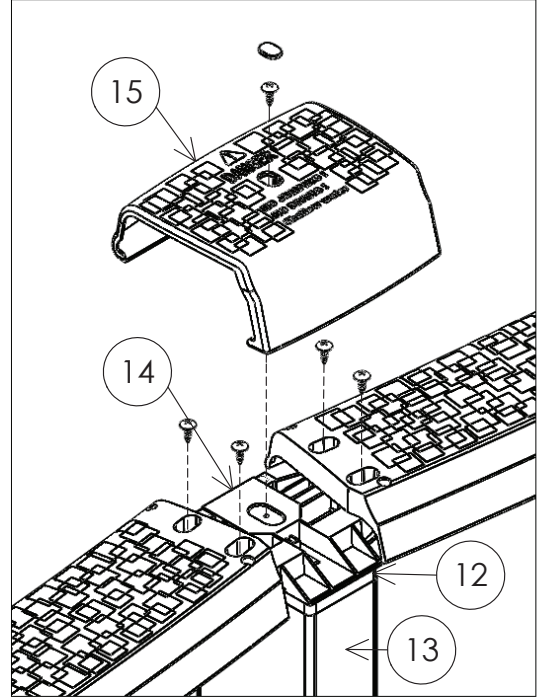
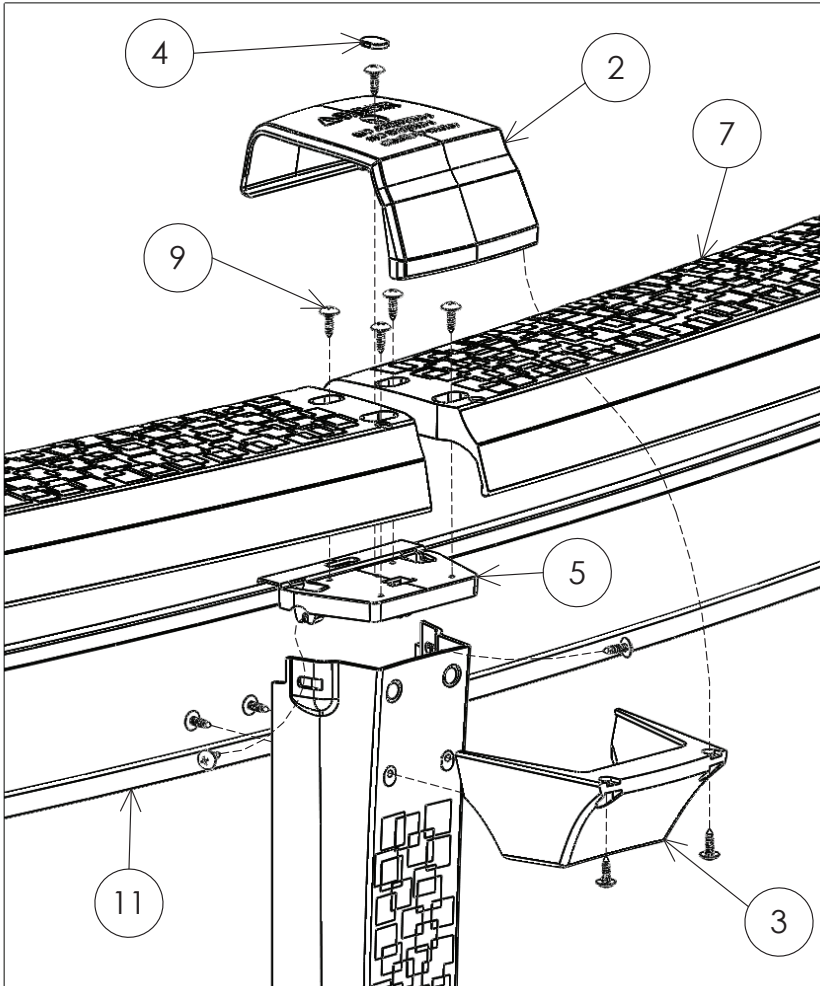
| Key # | Qty | Item # | Mfg Part # | Part Description | |
|--|--------|--------|------------|------------------|----------------------------------|
| FRAME CARTON # 3015-BL08-CX-A | | | | | |
| <input type="checkbox"/> | 2B | 6 | NBP1208 | 5726 | Horizontal Support for 52" Wall |
| <input type="checkbox"/> | 6B | 18 | NBP1011 | 6254 | Pressure Plate L=680mm (26-3/4") |
| <input type="checkbox"/> | --- | 1 | ----- | ----- | Braceless Oval Pool Instructions |
| Braceless Oval Frame Bolt Package (Part # 0109 / Order # NBP1204) QTY 3 | | | | | |
| <input type="checkbox"/> | 12B | --- | NBP1204 | 5673* | M14 x 30 Hex Head Bolt |
| <input type="checkbox"/> | 13B | --- | NBP1204 | 5672* | M14 Nut |
| <input type="checkbox"/> | 14B | --- | NBP1204 | 5674* | M10 x 100 Hex Head Bolt |
| <input type="checkbox"/> | 15B | --- | NBP1204 | 5675* | M10 Nut |
| <input type="checkbox"/> | 16B | --- | NBP1204 | 0341* | #12 x 3/4 Sheet Metal Screw |
| Strap Bolt Package (Part # 0106 / Order # NBP1002) QTY 3 | | | | | |
| <input type="checkbox"/> | 10B | --- | NBP1002 | 0623* | M8 Nut |
| <input type="checkbox"/> | 11B | --- | NBP1002 | 0923* | M8 x 20 Hex Head Bolt |
| FRAME CARTON # 301552-BL08-CX-B | | | | | |
| <input type="checkbox"/> | 12A,1B | 6 | NBP1006 | 5712 | Side Vertical for BLE 52" Wall |
| <input type="checkbox"/> | 13A,3B | 6 | NBP1206 | 5617 | Side Vertical Skin for 52" Wall |
| <input type="checkbox"/> | 7B | 6 | NBP1013 | 7244 | Middle Strap L=929mm (36-5/8") |
| <input type="checkbox"/> | 7B | 6 | NBP1207 | 7528 | End Strap L=1400mm (55-1/8") |
| WALL CARTON # 301552-DYN-W-SW | | | | | |
| <input type="checkbox"/> | 10A | 1 | PC5442 | 52" Wall | Taupe Wall |
| <input type="checkbox"/> | 11A | 19 | NL107 | 8100 | Plastic Edging |
| 52" Wall Joint Bolt Package (Part # 0113 / Order # NBP1021) | | | | | |
| <input type="checkbox"/> | --- | 26 | NBP1021 | 0513* | 1/4" x 1/2" Truss Head Screw |
| <input type="checkbox"/> | --- | 51 | NBP1021 | 0411* | 1/4" Reinforcing Washer |
| <input type="checkbox"/> | --- | 26 | NBP1021 | 0611* | 1/4" Nut |

*These part #'s are not available to purchase separately. They must be purchased as part of corresponding Bolt Package.

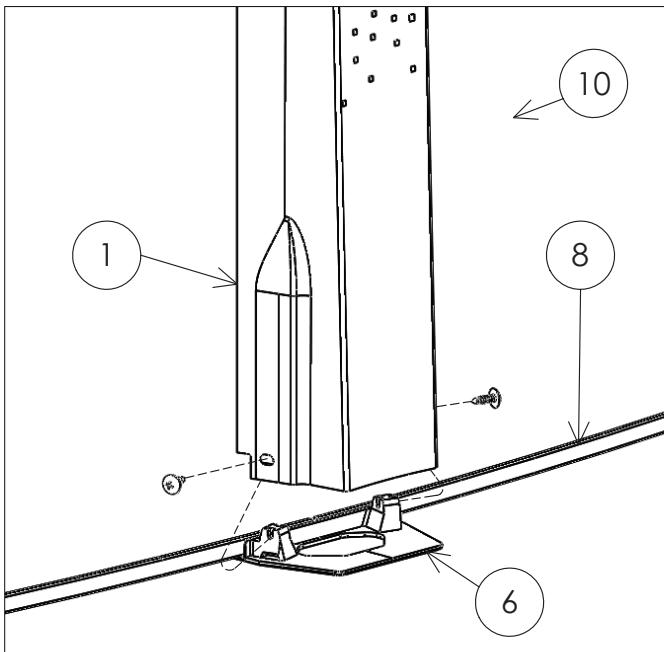
Trinity 15x30' Oval 52"

A

NB1845



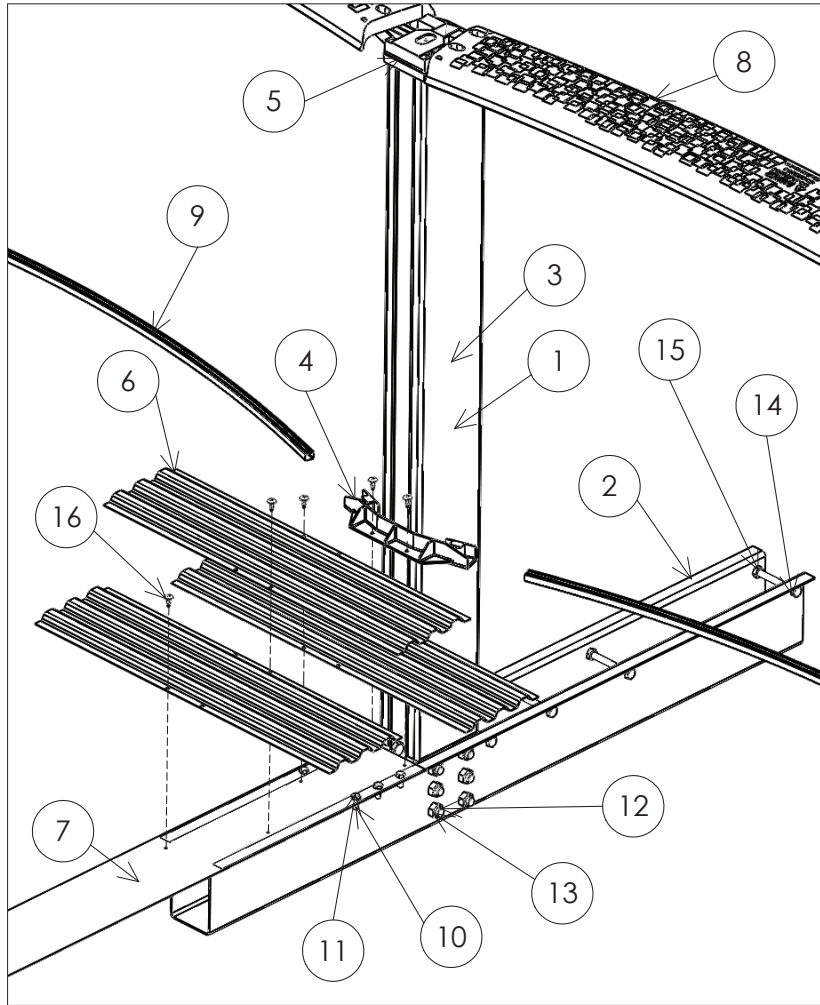
For Oval Pool Only



| Parts List | | |
|------------|----------------------------|---------|
| Key # | Description | Item # |
| 1A | Trinity Vertical 52in | NBP1300 |
| 2A | Trinity Seat Cover | NBP1302 |
| 3A | Trinity Seat Cover Bracket | NBP1303 |
| 4A | Seat Cover Cap | NBP1111 |
| 5A | 7" Resin Upper Joint | NBP1061 |
| 6A | 7" Resin Lower Joint | NBP1062 |
| 7A | Trinity Top Seat | NBP1301 |
| 8A | 5/8" Rail | NBP1304 |
| 9A | #12 Sheet Metal Screw | NBP1111 |
| 10A | Taupe Wall | PC5442 |
| 11A | Plastic Edging | NL107 |
| 12A | Side Vertical for BL | NBP1006 |
| 13A | Side Vertical Skin | NBP1206 |
| 14A | Resin Side Upper Joint | NBP1312 |
| 15A | Trinity Side Seat Cover | NBP1311 |

Trinity 15'x30' Oval 52" NB1845

B



| Parts List | | |
|------------|---------------------------|---------|
| Key # | Description | Item # |
| 1B | Side Vertical for BL | NBP1006 |
| 2B | Horizontal Support for BL | NBP1208 |
| 3B | Side Vertical Skin | NBP1206 |
| 4B | Resin Side Lower Joint | NBP1313 |
| 5B | Resin Side Upper Joint | NBP1312 |
| 6B | Pressure Plate | NBP1011 |
| 7B | End Strap | NBP1207 |
| 7B | Middle Strap (not shown) | NBP1013 |
| 8B | Trinity Top Seat | NBP1301 |
| 9B | 5/8" Rail | NBP1304 |
| 10B | M8 Nut | NBP1002 |
| 11B | M8 x 20 Bolt | NBP1002 |
| 12B | M14 x 30 Bolt | NBP1204 |
| 13B | M14 Nut | NBP1204 |
| 14B | M10 x 100 Bolt | NBP1204 |
| 15B | M10 Nut | NBP1204 |
| 16B | #12 Sheet Metal Screws | NBP1204 |