

ePUMP 2.2 & 2.7 HP  
VARIABLE-SPEED PUMP



Jandy®

**THE BEST POOLS  
BEGIN WITH  
THE BEST PUMP**



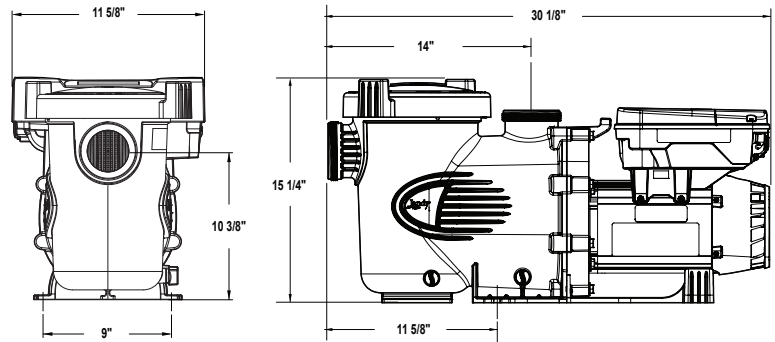
**ePUMP™**  
VARIABLE-SPEED PUMP

# The Jandy® ePump™ is designed for energy savings, efficient operation and easy maintenance.

When building a high-end pool, you want a high-end pump. The ePump is a high-performance, low-maintenance, energy-saving variable-speed pool pump, in a large-sized body.

- Maximum Savings**  
 Save over \$1,100<sup>1</sup> per year in energy costs! The ePump allows for dramatic energy savings compared to high energy consuming single-speed pumps.
- Improved Performance, Reduced Maintenance**  
 Small pump baskets fill faster — restricting flow and eroding performance. The ePump features the largest capacity smooth surface basket in the industry for reduced maintenance and improved performance.
- 70% Quieter Operation<sup>2</sup>**  
 Relax and unwind without the unwanted sound of a pool pump. Proprietary sound dampening motor technology provides almost “whisper-quiet” pump operation — no louder than the daily operation of your refrigerator — allowing you to enjoy a truly peaceful pool experience.
- Maximum Convenience**  
 Two auxiliary relays enable instant automation for your pump — plus two additional pieces of equipment — such as a booster pump or salt chlorinator.
- Multiple Control Options**  
 Programmable and customizable control options with Jandy AquaLink® automation systems, iQPUMP01, or the JEP-R controller (controller sold separately).
- No Rewiring Necessary**  
 Auto-sensing dual voltage motor automatically recognizes and adapts to 115 or 230-volt power supplies.
- Additional Features**
  - Available in 2.2 and 2.7 HP models
  - RS485 Quick Connect Port for faster installation and maintenance
  - Dry contact relay control
  - Easy controller setup auto detects connection to an automation system or a traditional controller, eliminating the need to adjust settings manually
  - 2" x 2.5" unions included / 2.5" x 3" compatible<sup>3</sup>
  - Ergonomic carry handle for easy installation
  - Tool free lid allows for quick and easy cleaning of the pump basket
  - Zero Clearance Totally Enclosed Fan-Cooled (TEFC) permanent magnet brushless DC motor that provides cooler operation and extended motor life

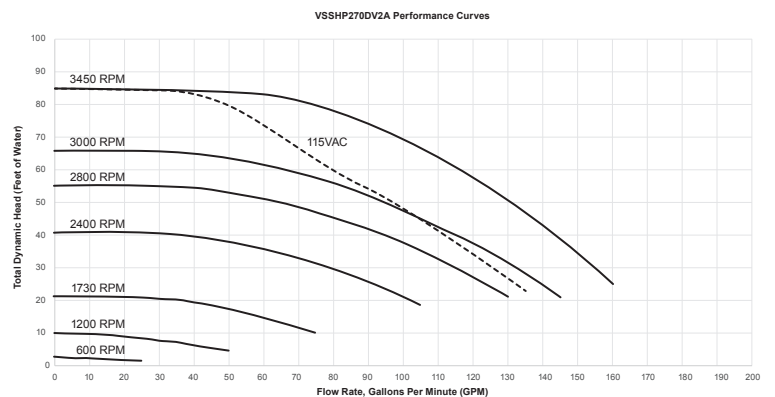
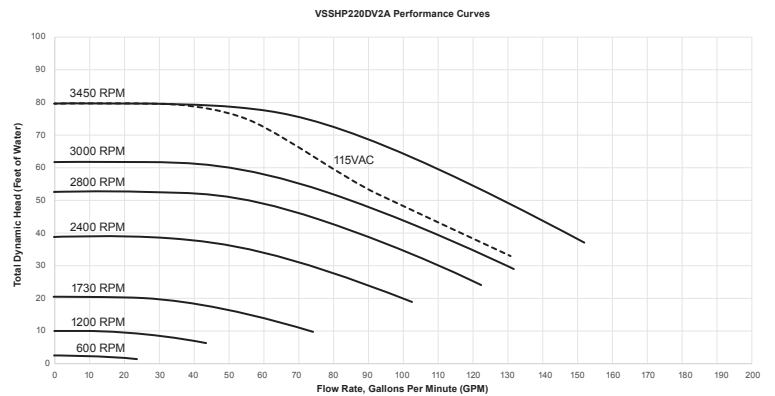
## DIMENSIONS



## SPECIFICATIONS

Model No.	THP	WEF <sup>4</sup>	Voltage	Max Watts	Amps	Union Size	Rec. Pipe Size <sup>5</sup>	Carton Weight	Overall Length
VSSH220DV2A	2.21	8.5 8.8	230 VAC 115 VAC	2,190W 1,660W	10.5 16.0	2" x 2 1/2"	2" – 3"	71 lbs.	30 1/8"
VSSH270DV2A	2.70	7.5 9.3	230 VAC 115 VAC	2,370W 1,675W	10.5 16.0	2" x 2 1/2"	2" – 3"	71 lbs.	30 1/8"

## PERFORMANCE



<sup>1</sup>Based on a 28,000 gallon pool with 2 turnovers per day at an average power cost of 0.195/kWh; when tested in accordance with the applicable requirements of 10 CFR 429.  
<sup>2</sup>Compared to previous generation ePump based on independent third-party lab testing at 1725 RPM from 6 ft.  
<sup>3</sup>R-Kit R0446102 includes two unions, O-rings and 2.5" x 3" tailpieces.  
<sup>4</sup>WEF = weighted energy factor in kgal/kWh. WEF is a performance-based metric adopted by the Department of Energy to characterize the energy performance of dedicated-purpose pool pumps. Department of Energy 10 CFR Parts 429 and 431.  
<sup>5</sup>Always follow local building and safety codes for pipe sizing and guidelines.

Jandy.com | 1.800.822.7933

©2021 Zodiac Pool Systems LLC. All rights reserved. ZODIAC® is a registered trademark of Zodiac International, S.A.S.U., used under license. All other trademarks are the property of their respective owners. 1765\_SL

