



**Product Submittal for ASME  
Digital/Millivolt Atmospheric  
Gas Pool Heaters  
Models B-R206A – B-R406A**

Job: \_\_\_\_\_ Date: \_\_\_\_\_

Engineer: \_\_\_\_\_ Model: \_\_\_\_\_ Indoor/Outdoor

Contractor: \_\_\_\_\_

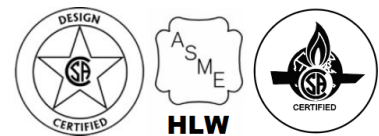
Prepared by: \_\_\_\_\_

**Features:**

- 82% Efficiency
- ASME Code Bronze Headers
- ASME Code Copper-Fin Tube
- 75 lb. Pressure Relief Valve
- Small Footprint
- Unitherm Governor Anti-Condensation Control
- Indoor/Outdoor
- Proudly Assembled in the USA



**Digital model with outdoor top shown**



**Heat exchanger**

- ASME HLW stamped; 100 PSIG MAWP
- National board registered
- Bronze headers
- Finned tubing
  - Copper (standard)
  - Cupronickel (optional, digital units only)
- ASME Steel tube sheet
- Silicone O-rings
- Fixed high limit, auto reset, 160°F
- Fixed high limit, manual reset, 135°F
- 75 PSIG Pressure relief valve
- Water connections
  - Right hand (standard)
  - Left hand (optional-field change)
- Flow configuration (two-pass)

**Controls**

- Millivolt option
  - Standing pilot ignition
  - Thermopile generator
  - Single mechanical temperature control
  - Flame rollout switch
  - High limit control
  - On/off switch
  - Water pressure switch
- Digital option
  - 120/240V, 60Hz, 1 Ph power supply
  - 120/240/24V Transformer
  - 100% Pilot shut-off; lockout (propane only)
  - Electronic, intermittent ignition pilot (IID)
  - High limit control
  - On/off switch
  - Flame rollout switch
  - Water pressure switch
  - Dual electronic temp sensor
  - Digital display with diagnostics

**Gas control train**

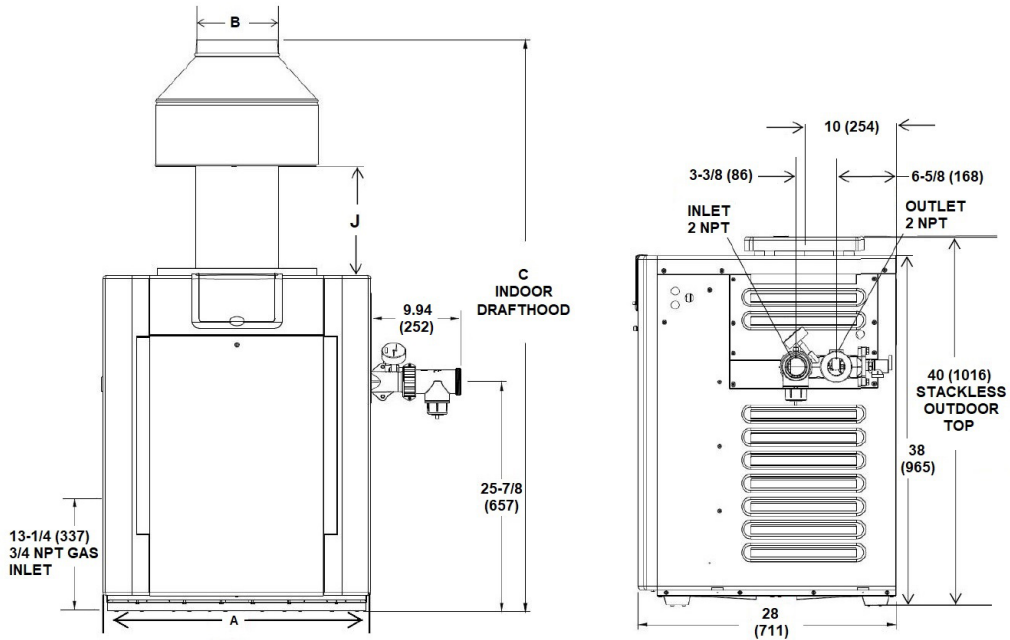
- Fuel
  - Natural gas
  - Propane (minimum grade HD-5)
- Combination control valve
- On/off firing

**Construction**

- Front controls
- ANSI Z21.56 design certified
- Stainless steel burners
- Polytuf powder coat finish
- Indoor/outdoor
- Can be installed on combustible surface
- Venting
  - Outdoor stackless top (included)
  - D-2 Power vent indoor, loose (optional for digital models, see 1000.70)
  - D-10 Indoor draft diverter, loose (optional)
  - D-13 High wind top (optional, outdoor)
  - Outdoor high wind stack (optional)

**Other options**

- PoolStat cover/lock kit
- X-10 Restraint bracket (Florida code requirement)



| Heater Model | MBTUH (kWh) Input | Dimensions in. (mm) |               |                       |                         | Shipping Weights lbs. (kg) |                   |
|--------------|-------------------|---------------------|---------------|-----------------------|-------------------------|----------------------------|-------------------|
|              |                   | Cabinet Width (A)   | Flue Dia. (B) | Indoor Draft Hood (C) | Draft Relief Height (J) | Heater with Stackless Top  | Indoor Draft Hood |
| B-R206A      | 199.5 (58.47)     | 20 (508)            | 6 (152)       | 61.63 (1565)          | 11.75 (298)             | 212 (96.16)                | 14 (6.35)         |
| B-R266A      | 266.0 (77.96)     | 23 (584)            | 7 (178)       | 62 (1575)             | 11 (279)                | 235 (106.59)               | 16 (7.26)         |
| B-R336A      | 332.5 (97.45)     | 26 (660)            | 8 (203)       | 63 (1600)             | 10.63 (270)             | 250 (113.39)               | 19 (8.62)         |
| B-R406A      | 399.0 (117)       | 29 (736)            | 9 (229)       | 64.5 (1638)           | 12.13 (308)             | 269 (122)                  | 21 (9.52)         |

Notes:

1. Model number suffix indicates pilot type (E = digital, M = millivolt), fuel type (P = propane, N = natural gas) and tube material (C = copper, X = cupronickel). Example: Model number B-R406A-EN-C indicates a unit with digital (IID) ignition using natural gas with copper tubes.
2. Ratings are for natural gas and elevations up to 2,000 feet above sea level. Reduce input 4% for each 1,000 feet above sea level when installed at over 2,000 feet elevation.